

PRODUCT STANDARD FORM (FFC)

SUMITOMO ELECTRIC INTERCONNECT PRODUCTS (M) SDN BHD

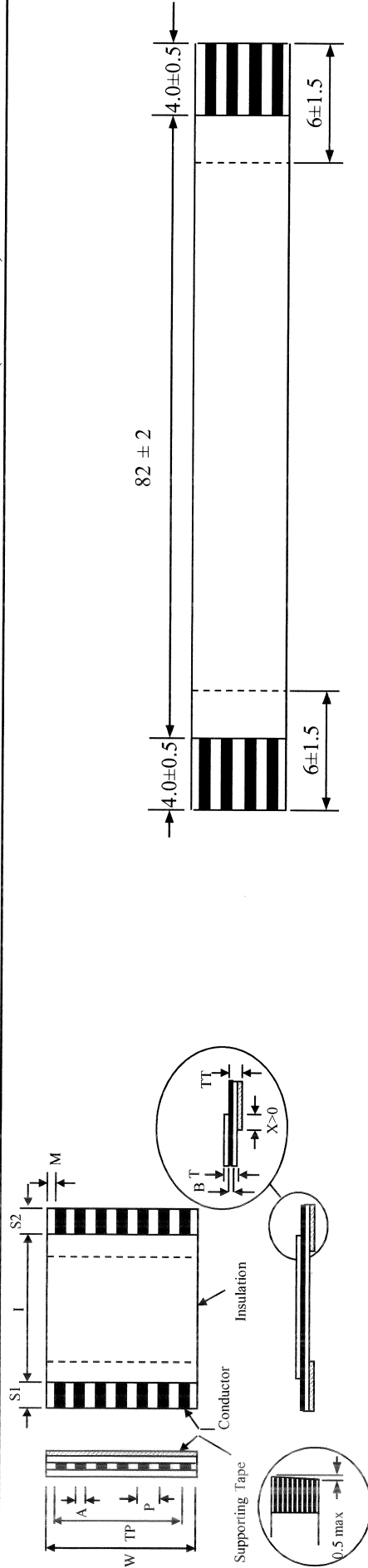
CUSTOMER :

PART NO : SEA11694-1

REVISION :  A B C D E

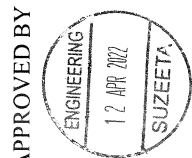
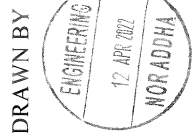
SEAP (ARC - KGK)

PART DESCRIPTION : SML2CD-32X82-BDX6(BL)-P0.50-S4-N35-M-SNT2 (UL20861)



Symbol	Item	Specification
N	No. of Conductors	32
P	Pitch	0.50 ± 0.03
TP	Total Pitch	15.50 ± 0.05
W	Cable Width	16.50 ± 0.05
M	Margin Width	0.35 ± 0.10
T	Cable Thickness	0.14 ± 0.05
TT	Terminal Thickness	0.30 ± 0.05
A	Conductor Width	0.300 + 0.050 - 0.020
B	Conductor Thickness	0.035 ± 0.020
-	Supporting Tape Color	BLUE

CONDUCTOR SIZE : 0.035 x 0.300 (AWG38)
TIN THICKNESS : 0.4µm



CUSTOMER'S APPROVAL
(NAME / DEPT / DATE / SIGN)

DRAWING NOT TO SCALE
ALL DIMENSIONS IN MM



REMARKS	CUTTING CONDITIONS			
	LEFT	INSL LENGTH	RIGHT	REMARKS
NIL	4	82	4	NIL

SUMITOMO ELECTRIC INTERCONNECT PRODUCTS (M) SDN. BHD.

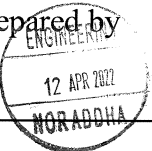
TITLE : PROPOSAL FOR STANDARD FORM (PSF)


Customer	To: SEAP (ARC-KGK)	Supplier	Date : 12-04-2022
	Attn:		From :
	Dept:		Dept :

Part No : **SEA11694-1**
 Product Cat: **SML2CD**

Fill by Sumitomo

No.	Existing	Proposal	Reason
1	Conductor size 0.05x0.3mm	Change to 0.035x0.3mm SNT2	Sumitomo proposal based on common conductor size

Prepared by


Approved by


Fill by Customer

2) Please acknowledge and reply **Approve / Not approved**
 Comment, if necessary

Signature

Department/ Name/ Designation/ Date

PRODUCT STANDARD FORM (FFC)

SUMITOMO ELECTRIC INTERCONNECT PRODUCTS (M) SDN BHD

CUSTOMER :

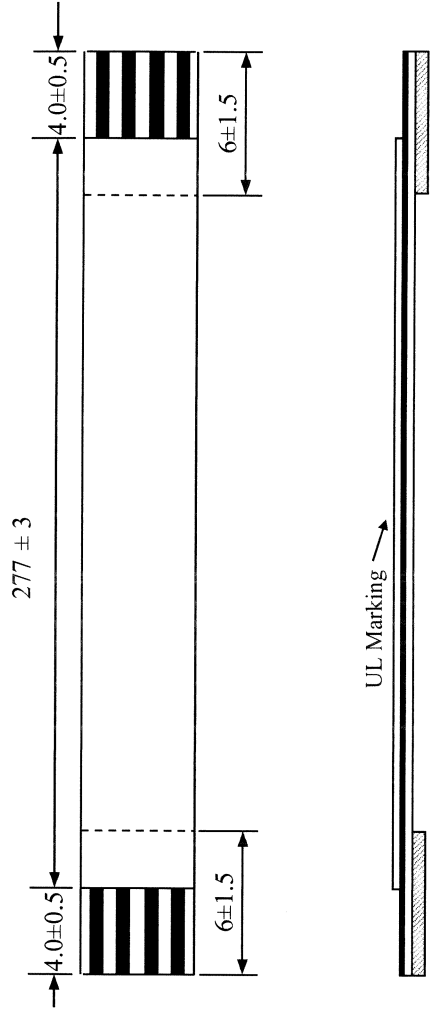
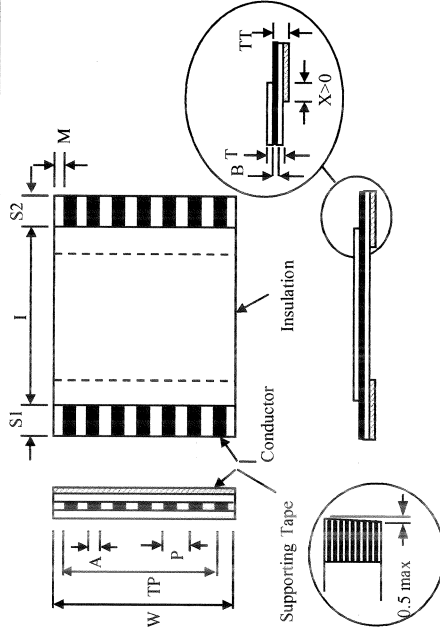
PART NO : SEA11694-2

REVISION : 

A B C D E

SEAP (ARC - KGK)

PART DESCRIPTION : SML2CD-40X277-BDX6(BL)-P0.50-S4-N35-M-SNT2 (UL20861)



Symbol	Item	Specification
N	No. of Conductors	40
P	Pitch	0.50 ± 0.03
TP	Total Pitch	19.50 ± 0.05
W	Cable Width	20.50 ± 0.05
M	Margin Width	0.35 ± 0.10
T	Cable Thickness	0.14 ± 0.05
TT	Terminal Thickness	0.30 ± 0.05
A	Conductor Width	0.300 + 0.050 - 0.020
B	Conductor Thickness	0.035 ± 0.020
-	Supporting Tape Color	BLUE

CONDUCTOR SIZE : 0.035 x 0.300 (AWG38)
TIN THICKNESS : 0.4µm

DRAWN BY
ENGINEERING
12 APR 2022
NOR ADHA

CHECKED BY
ENGINEERING
12 APR 2022
SUZEETA

APPROVED BY
ENGINEERING
12 APR 2022
SUZEETA

CUSTOMER'S APPROVAL
(NAME / DEPT / DATE / SIGN)

DRAWING NOT TO SCALE
ALL DIMENSIONS IN MM



CUTTING CONDITIONS			
REMARKS	LEFT	INSL LENGTH	RIGHT
NIL	4	277	4
			NIL

SUMITOMO ELECTRIC INTERCONNECT PRODUCTS (M) SDN. BHD.

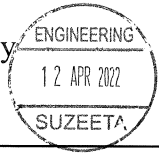
TITLE : PROPOSAL FOR STANDARD FORM (PSF)

Customer	To: SEAP (ARC-KGK)		Supplier	Date : 12-04-2022
	Attn:			From :
	Dept:			Dept :

Part No : **SEA11694-2**
 Product Cat: **SML2CD**

Fill by Sumitomo

No.	Existing	Proposal	Reason
1	Conductor size 0.05x0.3mm	Change to 0.035x0.3mm SNT2	Sumitomo proposal based on common conductor size

Prepared by  _____	Approved by  _____
--	--

Fill by Customer

2) Please acknowledge and reply **Approve / Not approved**
 Comment, if necessary

Signature

Department/ Name/ Designation/ Date

PRODUCT STANDARD FORM (FFC)

SUMITOMO ELECTRIC INTERCONNECT PRODUCTS (M) SDN BHD

CUSTOMER :

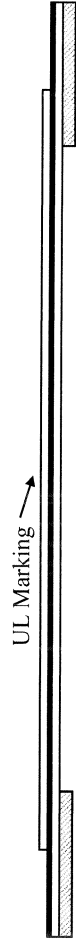
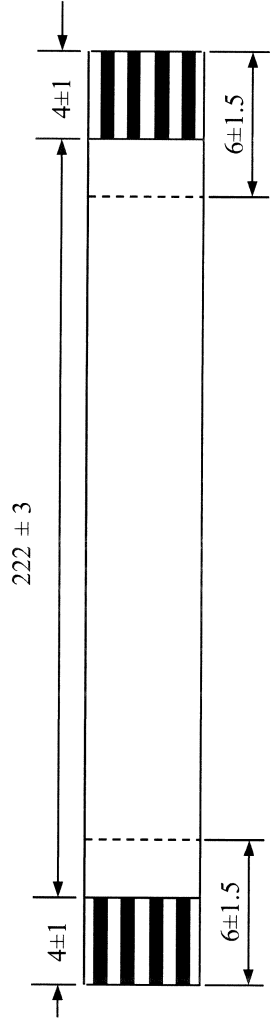
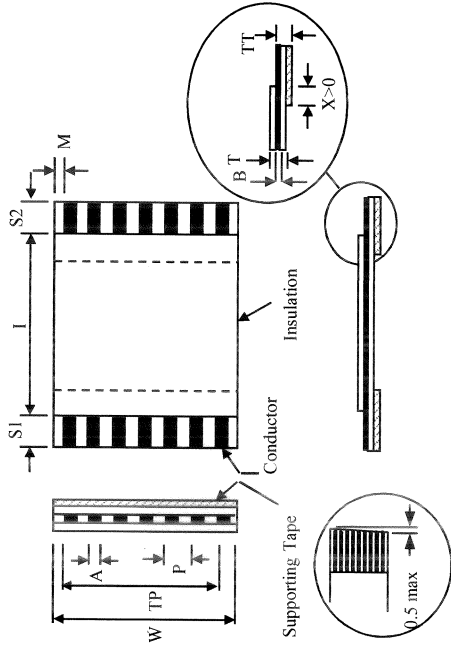
PART NO : SEA11694-3

REVISION :

△	A	B	C	D	E
---	---	---	---	---	---

SEAP (ARC - KGK)

PART DESCRIPTION : SML2CD-4X222-BDX6(BL)-P1.25-S4-N-M (UL20861)



Symbol	Item	Specification
N	No. of Conductors	4
P	Pitch	1.25 ± 0.10
TP	Total Pitch	3.75 ± 0.15
W	Cable Width	6.25 ± 0.20
M	Margin Width	0.85 ± 0.20
T	Cable Thickness	0.16 ± 0.05
TT	Terminal Thickness	0.30 ± 0.05
A	Conductor Width	0.800 ± 0.050
B	Conductor Thickness	0.050 ± 0.020
-	Supporting Tape Color	BLUE

CONDUCTOR SIZE : 0.050 x 0.800 (AWG32)

DRAWN BY 	CHECKED BY 	APPROVED BY 	CUSTOMER'S APPROVAL (NAME / DEPT / DATE / SIGN)	CUTTING CONDITIONS		
				REMARKS NIL	LEFT 4	INSL LENGTH 222

DRAWING NOT TO SCALE
ALL DIMENSIONS IN MM