

# MCR-SL-D-U-I - Digital display

2864011

<https://www.phoenixcontact.com/in/products/2864011>

Please be informed that the data shown in this PDF document is generated from our Online Catalog. Please find the complete data in the user documentation. Our General Terms of Use for Downloads are valid.

MCR digital display, for measurement and display of standard signals, 5-fig. display



## Your advantages

- 48 x 24 mm display
- 8 mm LED, 7-segment
- Min./max. value saving
- 5-digit display
- For 0 ... 10 V and 0(4) ... 20 mA standard analog signals
- Electrical isolation
- Programmable
- Freely programmable decimal point display

## Commercial Data

Item number	2864011
Packing unit	1 pc
Minimum order quantity	1 pc
Sales Key	CK1
Product Key	CK1311
Catalog Page	Page 186 (C-5-2019)
GTIN	4017918820718
Weight per Piece (including packing)	102 g
Weight per Piece (excluding packing)	96 g
Customs tariff number	90303370
Country of origin	DE

## Technical Data

### Product properties

Product type	Digital displays
Configuration	Keyboard

### System properties

#### Functionality

Configuration	Keyboard
---------------	----------

### Electrical properties

Maximum power dissipation for nominal condition	1.46 W
Test voltage input/power supply	500 V <sub>rms</sub> (50/60 Hz, 1 min.)
Maximum temperature coefficient	< 0.07 %/K
Maximum transmission error	± 0.1 % (of final value)

#### Supply

Supply voltage range	10 V DC ... 30 V DC
Max. current consumption	50 mA
Power consumption	≤ 1.5 W

### Input data

#### Signal

Voltage input signal	0 V ... 10 V
	2 V ... 10 V
Max. voltage input signal	30 V DC
Current input signal	0 mA ... 20 mA
	4 mA ... 20 mA
Max. current input signal	50 mA
Switching level "1" signal	4 V DC ... 30 V DC
Switching level "0" signal	0 V DC ... 2 V DC
Input resistance of voltage input	> 1 MΩ
Input resistance current input	approx. 100 Ω with 5 mA / approx. 70 Ω with 20 mA
Resolution inputs (voltage)	1 mV
Resolution inputs (current)	2 μA
System hum suppression	Digital filtering 50/60 Hz
Input latch signal	Display stop
Measuring rate	0.1s <sup>-1</sup> / 0.5s <sup>-1</sup>

### Output data

#### Signal

D/A converter resolution	14 bit
Number of positions displayed	5

# MCR-SL-D-U-I - Digital display

2864011

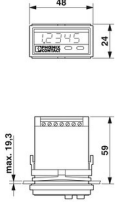
<https://www.phoenixcontact.com/in/products/2864011>

Display	7-segment LED; 8 mm; red
---------	--------------------------

## Connection data

Connection method	Screw connection
Stripping length	8 mm
Screw thread	M3
Conductor cross section rigid	0.14 mm <sup>2</sup> ... 1.5 mm <sup>2</sup>
Conductor cross section flexible	0.14 mm <sup>2</sup> ... 1.5 mm <sup>2</sup>
Conductor cross section AWG	26 ... 16

## Dimensions

Dimensional drawing	
Width	48 mm
Height	24 mm
Depth	68 mm

## Material specifications

Housing material	Macrolon 2405
------------------	---------------

## Environmental and real-life conditions

### Ambient conditions

Degree of protection	IP65 (Front)
Ambient temperature (operation)	-20 °C ... 65 °C
Ambient temperature (storage/transport)	-25 °C ... 70 °C

## Approvals

### CE

Certificate	CE-compliant
-------------	--------------

### UL, USA/Canada

Identification	UL 863
----------------	--------

## EMC data

Noise immunity	EN 61000-6-2
	EN 61000-4-2
Noise emission	EN 55011 / class B

## Mounting

Mounting type	Panel mount
---------------	-------------

# MCR-SL-D-U-I - Digital display

2864011

<https://www.phoenixcontact.com/in/products/2864011>



---

DIN rail

# MCR-SL-D-U-I - Digital display

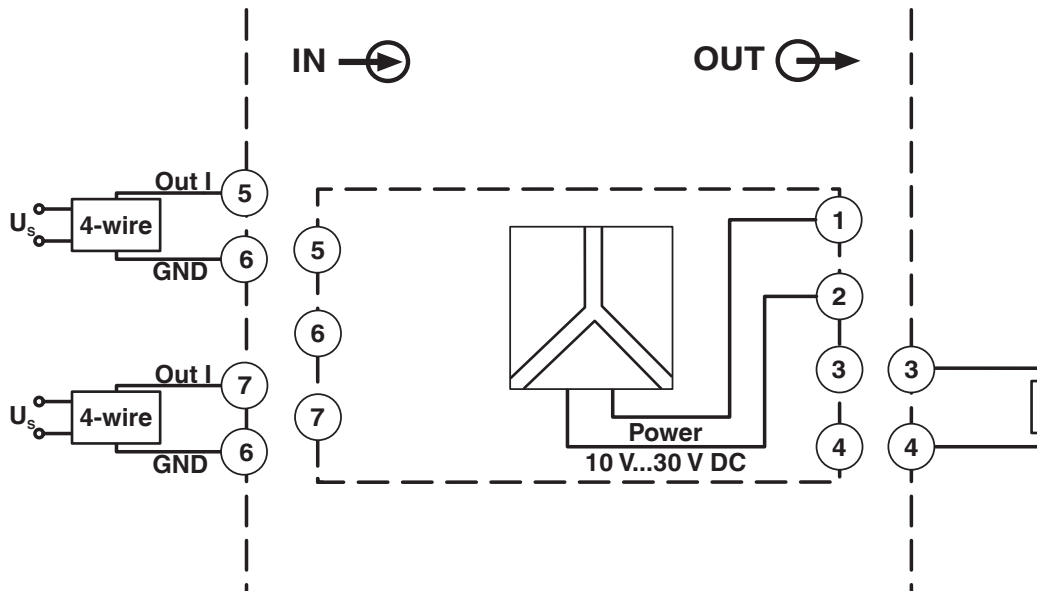
2864011

<https://www.phoenixcontact.com/in/products/2864011>



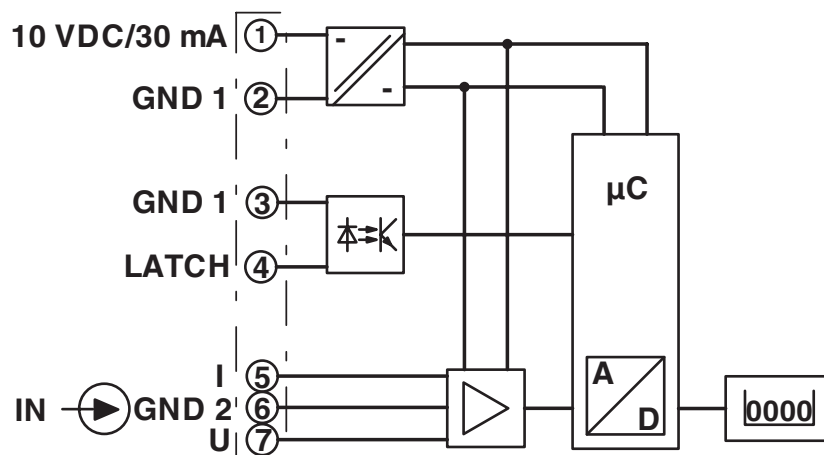
## Drawings

Block diagram



Block diagram MCR-SL-S-U-I

Circuit diagram



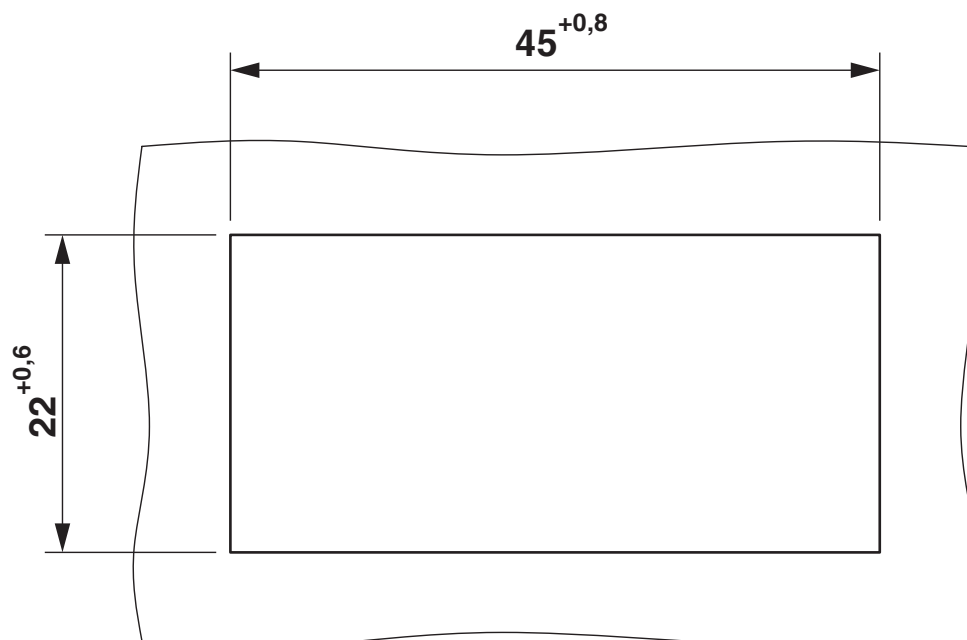
# MCR-SL-D-U-I - Digital display

2864011

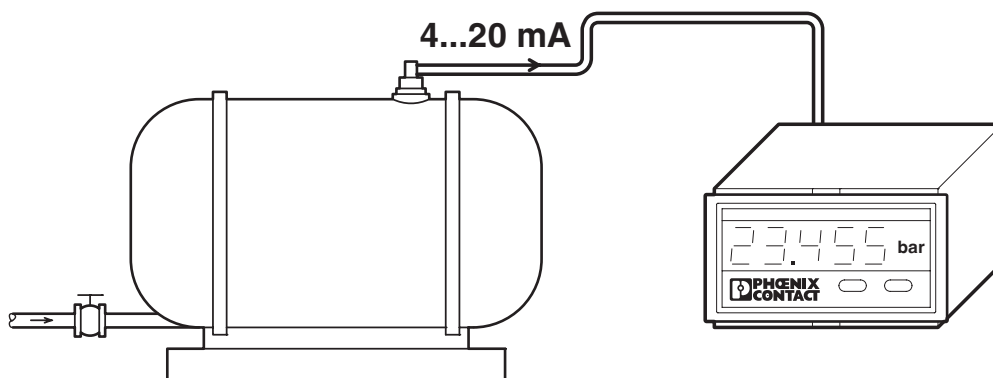
<https://www.phoenixcontact.com/in/products/2864011>



Dimensional drawing



Application drawing



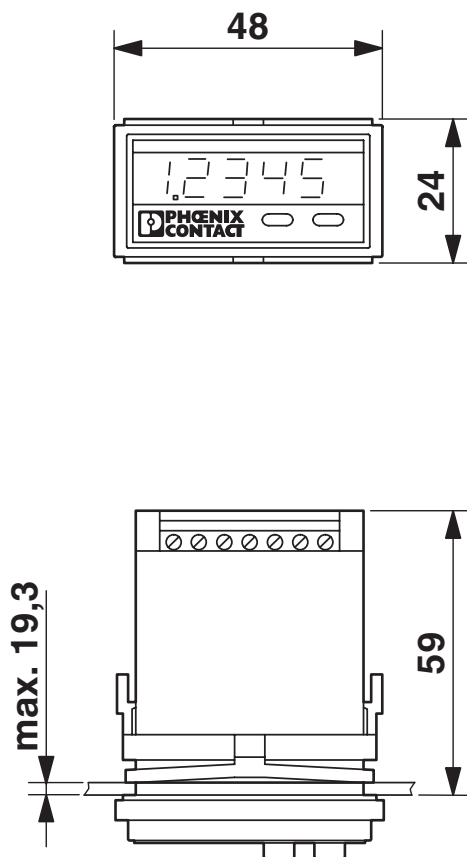
# MCR-SL-D-U-I - Digital display

2864011

<https://www.phoenixcontact.com/in/products/2864011>



Dimensional drawing



# MCR-SL-D-U-I - Digital display



2864011

<https://www.phoenixcontact.com/in/products/2864011>

## Approvals



**cUL Recognized**

Approval ID: FILE E 197577



**UL Recognized**

Approval ID: FILE E 197577



**EAC**

Approval ID: RU\*DE.\*08.B.01522/19



# MCR-SL-D-U-I - Digital display



2864011

<https://www.phoenixcontact.com/in/products/2864011>

## Classifications

### ECLASS

ECLASS-11.0	27210301
ECLASS-13.0	27210301
ECLASS-12.0	27210301

### ETIM

ETIM 8.0	EC011349
----------	----------

### UNSPSC

UNSPSC 21.0	39121000
-------------	----------

# MCR-SL-D-U-I - Digital display

2864011

<https://www.phoenixcontact.com/in/products/2864011>



## Environmental Product Compliance

China RoHS

Environmentally friendly use period: unlimited = EFUP-e

No hazardous substances above threshold values

# MCR-SL-D-U-I - Digital display

2864011

<https://www.phoenixcontact.com/in/products/2864011>



## Accessories

### MCR-SL-D-RA - DIN rail adapter

2810081

<https://www.phoenixcontact.com/in/products/2810081>



DIN rail adapter for digital displays in a 24x48 mm housing. Suitable for 35 mm DIN rails in acc. with EN 60715.

---

Phoenix Contact 2023 © - all rights reserved  
<https://www.phoenixcontact.com>

PHOENIX CONTACT (I) Pvt. Ltd.  
A-58/2, Okhla Industrial Area, Phase - II, New Delhi-110 020

+91.1275.71420  
[info@phoenixcontact.co.in](mailto:info@phoenixcontact.co.in)