

HC-D 15-AMLD - Housing

1678363

<https://www.phoenixcontact.com/in/products/1678363>

Please be informed that the data shown in this PDF document is generated from our Online Catalog. Please find the complete data in the user documentation. Our General Terms of Use for Downloads are valid.

HEAVYCON panel mounting base D15, with single locking latch, height 26 mm



Commercial Data

Item number	1678363
Packing unit	10 pc
Minimum order quantity	1 pc
Sales Key	BF7
Product Key	BF7AAE
Catalog Page	Page 505 (C-4-2015)
GTIN	4017918168537
Weight per Piece (including packing)	163.36 g
Weight per Piece (excluding packing)	110.61 g
Customs tariff number	85389099
Country of origin	DE

HC-D 15-AMLD - Housing

1678363

<https://www.phoenixcontact.com/in/products/1678363>

Technical Data

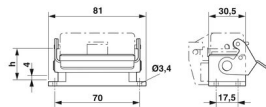
Notes

General	For contact inserts HC-D15, A10
---------	---------------------------------

Product properties

Type	D15
Product type	Housing with locking latch
Application	Standard
Housing type	Panel mounting base
Protective cover	yes
Locking type	with single locking latch
Shielded	no
Pg screw connection	none

Dimensions

Dimensional drawing	
Width	30.5 mm
Height	26 mm
Length	81 mm

Installation dimensions

Width of the assembly cutout	24 mm
Length of the assembly cutout	57.5 mm

Material specifications

Seal material	CR
Housing surface material	Powder-coated, gray
Material, protective cover	PA
Locking latch material	Steel, galvanized
Housing material	die-cast aluminum

Mechanical properties

Mechanical data

Locking type	Latch
--------------	-------

Mounting

Assembly instructions	The flat gasket is supplied closed. The required opening is not created until the assembly stage.
-----------------------	---

HC-D 15-AMLD - Housing

1678363

<https://www.phoenixcontact.com/in/products/1678363>



Environmental and real-life conditions

Ambient conditions

Degree of protection	IP65 (When plugged in)
	IP54 (with closed protective cover)
Ambient temperature (operation)	-40 °C ... 125 °C

HC-D 15-AMLD - Housing

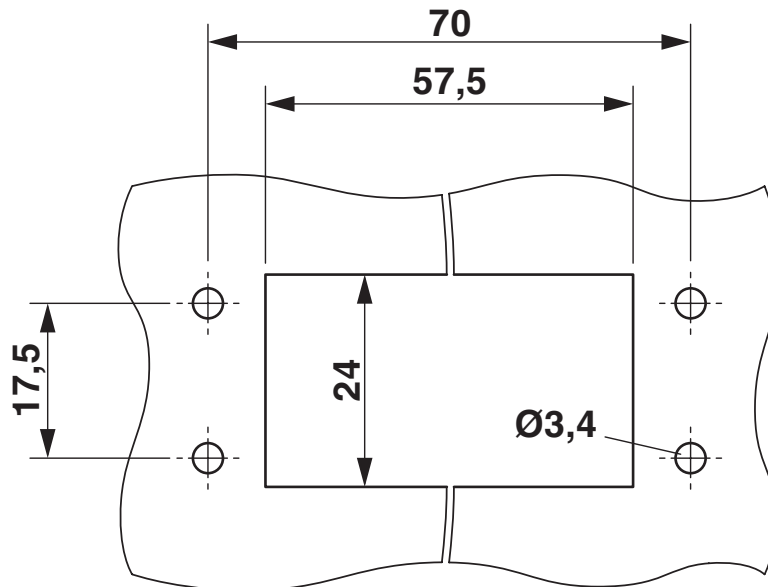
1678363

<https://www.phoenixcontact.com/in/products/1678363>



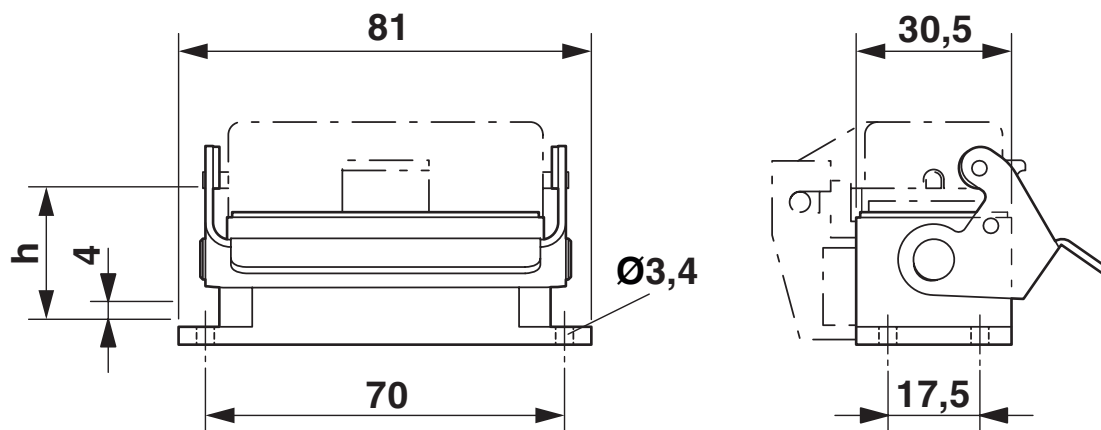
Drawings

Dimensional drawing



Mounting cutout

Dimensional drawing



Dimensional drawing

HC-D 15-AMLD - Housing

1678363

<https://www.phoenixcontact.com/in/products/1678363>



Classifications

ECLASS

ECLASS-11.0

27440202

ETIM

ETIM 7.0

EC000437

HC-D 15-AMLD - Housing

1678363

<https://www.phoenixcontact.com/in/products/1678363>



Environmental Product Compliance

China RoHS	Environmentally friendly use period: unlimited = EFUP-e
	No hazardous substances above threshold values

Phoenix Contact 2023 © - all rights reserved
<https://www.phoenixcontact.com>

PHOENIX CONTACT (I) Pvt. Ltd.
A-58/2, Okhla Industrial Area, Phase - II, New Delhi-110 020

+91.1275.71420
info@phoenixcontact.co.in