

HC-D 15-TFL-66/O1STM25S - Housing



1636059

<https://www.phoenixcontact.com/in/products/1636059>

Please be informed that the data shown in this PDF document is generated from our Online Catalog. Please find the complete data in the user documentation. Our General Terms of Use for Downloads are valid.



HEAVYCON sleeve housing, D15, for single locking latch, height: 66 mm, without 1 x M25 support, lateral cable outlet

Commercial Data

Item number	1636059
Packing unit	10 pc
Minimum order quantity	1 pc
Sales Key	BF7
Product Key	BF7AAE
Catalog Page	Page 503 (C-4-2015)
GTIN	4017918985257
Weight per Piece (including packing)	151.57 g
Weight per Piece (excluding packing)	151.57 g
Customs tariff number	85369010
Country of origin	DE

HC-D 15-TFL-66/O1STM25S - Housing

1636059

<https://www.phoenixcontact.com/in/products/1636059>

Technical Data

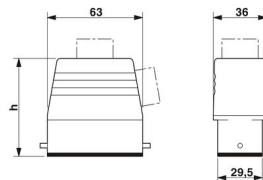
Notes

General	For contact inserts HC-D15, A10
---------	---------------------------------

Product properties

Type	D15
Product type	Housing with locking latch
Application	Standard
No. of cable outlets	1
Type of the screw connection	1x M25
Housing type	Sleeve housing
Locking type	for single locking latch
Shielded	no
Cable outlet	lateral
Pg screw connection	none

Dimensions

Dimensional drawing	
Width	36 mm
Height	66 mm
Length	63 mm

Material specifications

Seal material	NBR
Housing surface material	Powder-coated, gray
Housing material	die-cast aluminum

Mechanical properties

Mechanical data

Type of the screw connection	1x M25
Locking type	Pin

Environmental and real-life conditions

Ambient conditions

Degree of protection	IP65
Ambient temperature (operation)	-40 °C ... 125 °C

HC-D 15-TFL-66/O1STM25S - Housing

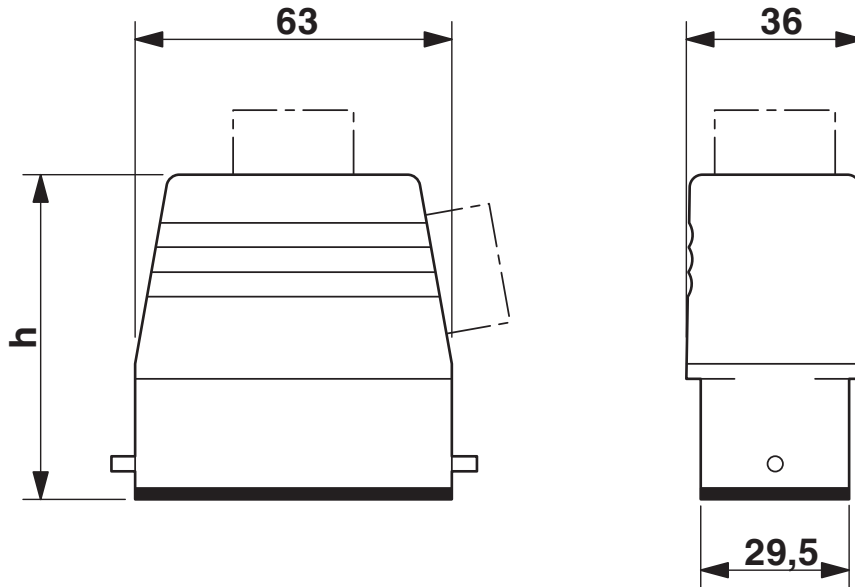


1636059

<https://www.phoenixcontact.com/in/products/1636059>

Drawings

Dimensional drawing



Dimensional drawing

HC-D 15-TFL-66/O1STM25S - Housing



1636059

<https://www.phoenixcontact.com/in/products/1636059>

Classifications

ECLASS

ECLASS-11.0

27440202

ETIM

ETIM 7.0

EC000437

HC-D 15-TFL-66/O1STM25S - Housing



1636059

<https://www.phoenixcontact.com/in/products/1636059>

Environmental Product Compliance

China RoHS	Environmentally friendly use period: unlimited = EFUP-e No hazardous substances above threshold values
------------	---

HC-D 15-TFL-66/O1STM25S - Housing

1636059

<https://www.phoenixcontact.com/in/products/1636059>

Accessories

G-INS-M25-M68N-PNES-GY - Cable gland

1411126

<https://www.phoenixcontact.com/in/products/1411126>



Cable gland, material for screw connection: PA, external cable diameter 11 mm .
.. 17 mm, shielding: no, connecting thread: M25 x 1.5, color: silver-gray RAL
7001

G-INS-M25-M68N-PNES-BK - Cable gland

1411134

<https://www.phoenixcontact.com/in/products/1411134>



Cable gland, material for screw connection: PA, external cable diameter 11 mm .
.. 17 mm, shielding: no, connecting thread: M25 x 1.5, color: jet black RAL 9005

HC-D 15-TFL-66/O1STM25S - Housing

1636059

<https://www.phoenixcontact.com/in/products/1636059>



G-INS-M25-M68N-NNES-S - Cable gland

1411165

<https://www.phoenixcontact.com/in/products/1411165>



Cable gland, material for screw connection: Nickel-plated brass, external cable diameter 11 mm ... 17 mm, shielding: no, connecting thread: M25 x 1.5, color: silver, with O-ring

HC-M-KV-M25(14-21) - Cable gland

1646007

<https://www.phoenixcontact.com/in/products/1646007>



Metal screw connection up to 5 bar, thread length: 7 mm, cable diameter: 14 - 21 mm, WAF 34, screw connection: M25

HC-D 15-TFL-66/O1STM25S - Housing

1636059

<https://www.phoenixcontact.com/in/products/1636059>

G-INSEC-M25-S68N-NCRS-S - Cable gland

1411190

<https://www.phoenixcontact.com/in/products/1411190>



Cable gland, material for screw connection: Nickel-plated brass, external cable diameter 11 mm ... 16 mm, shielding: yes, connecting thread: M25 x 1.5, color: silver, with O-ring

G-INESR-M25-M68N-NEPDS-S - Cable gland

1415193

<https://www.phoenixcontact.com/in/products/1415193>



Cable gland, material for screw connection: Nickel-plated brass, external cable diameter 9 mm ... 17 mm, shielding: no, connecting thread: M25 x 1.5, color: silver, with external strain relief, with O-ring

HC-D 15-TFL-66/O1STM25S - Housing

1636059

<https://www.phoenixcontact.com/in/products/1636059>

HC-M-KV-T-M25 - Cable gland

1646191

<https://www.phoenixcontact.com/in/products/1646191>

Metal screw connection with cable bend protection and strain relief, thread length: 7 mm, cable sealing area: 10 - 19 mm, clamping area: 14 - 21 mm, SW 30, screw connection: M25



REDUC-M-KV-M25/M20 - Reducing adapter

1647624

<https://www.phoenixcontact.com/in/products/1647624>

Reducing adapter, connecting thread: M25 x 1.5, color: silver, with O-ring



HC-D 15-TFL-66/O1STM25S - Housing

1636059

<https://www.phoenixcontact.com/in/products/1636059>



ENLAR-M-KV-M25/M32 - Extension adapter

1647679

<https://www.phoenixcontact.com/in/products/1647679>

Extension adapter, connecting thread: M25 x 1.5, color: silver, with O-ring



HC-M-BS-M25 - Screw plug

1645859

<https://www.phoenixcontact.com/in/products/1645859>

Screw plug, material for screw connection: Nickel-plated brass, connecting thread: M25 x 1.5, color: silver



Phoenix Contact 2023 © - all rights reserved
<https://www.phoenixcontact.com>

PHOENIX CONTACT (I) Pvt. Ltd.
A-58/2, Okhla Industrial Area, Phase - II, New Delhi-110 020

+91.1275.71420
info@phoenixcontact.co.in