

MINI-PS-100-240AC/24DC/1.3 - Power supply unit



2866446

<https://www.phoenixcontact.com/in/products/2866446>

Please be informed that the data shown in this PDF document is generated from our Online Catalog. Please find the complete data in the user documentation. Our General Terms of Use for Downloads are valid.



Please use the following items in new systems: 2904597 or 2909575
Primary-switched MINI POWER power supply for DIN rail mounting, input: 1-phase, output: 24 V DC/1.3 A

Product Description

MINI POWER power supplies for MCR technology

In measurement and control technology (MCR), modular electronics housing has become the industry standard. MINI POWER is the power supply unit to go with it. The devices are flexible, thanks to special voltages and special versions.

Your advantages

- Easy-maintenance connection technology thanks to keyed COMBICON connectors
- Remote monitoring of output voltage via switching output

Commercial Data

Item number	2866446
Packing unit	1 pc
Minimum order quantity	1 pc
Sales Key	CMP
Product Key	CMPM13
Catalog Page	Page 234 (C-4-2017)
GTIN	4046356073905
Weight per Piece (including packing)	231.5 g
Weight per Piece (excluding packing)	182 g
Customs tariff number	85044030
Country of origin	CN

Technical Data

Input data

AC operation

Nominal input voltage range	100 V AC ... 240 V AC
Input voltage range	85 V AC ... 264 V AC
	90 V DC ... 350 V DC
Input voltage range AC	85 V AC ... 264 V AC
Input voltage range DC	90 V DC ... 350 V DC
Voltage type of supply voltage	AC/DC
Inrush current	< 15 A (< 0.6 A ² s)
Inrush current integral (I ² t)	0.6 A ² s
AC frequency range	45 Hz ... 65 Hz
Frequency range DC	0 Hz
Mains buffering time	> 20 ms (120 V AC)
	> 110 ms (230 V AC)
Current consumption	0.55 A (100 V AC)
	0.23 A (240 V AC)
Nominal power consumption	62 VA
Protective circuit	Transient surge protection; Varistor
Typical response time	< 1 s
Input fuse	1.25 A (slow-blow, internal)
Permissible backup fuse	B6 B10 B16
Recommended breaker for input protection	6 A ... 16 A (Characteristics B, C, D, K)

Output data

Efficiency	> 85 % (for 230 V AC and nominal values)
Output characteristic	U/I
Nominal output voltage	24 V DC ±1 %
Setting range of the output voltage (U _{Set})	22.5 V DC ... 28.5 V DC (> 24 V DC, constant capacity restricted)
Nominal output current (I _N)	1.3 A (-25 °C ... 60 °C)
POWER BOOST (I _{Boost})	1.6 A (-25 °C ... 40 °C permanent)
Derating	60 °C ... 70 °C (2.5%/K)
Feedback voltage resistance	35 V DC
Protection against overvoltage at the output (OVP)	< 35 V DC
Starting delay with capacitive load	unrestricted
Max. capacitive load	unlimited
Active current limitation	Approx. 5 A (for short-circuit)
Control deviation	< 1 % (change in load, static 10 % ... 90 %)
	< 3 % (change in load, dynamic 10 % ... 90 %)
	< 0.1 % (change in input voltage ±10 %)
Residual ripple	< 20 mV _{PP} (20 MHz)
Output power	31.2 W

MINI-PS-100-240AC/24DC/1.3 - Power supply unit



2866446

<https://www.phoenixcontact.com/in/products/2866446>

Peak switching voltages nominal load	< 50 mV _{PP} (20 MHz)
Maximum no-load power dissipation	1.4 W
Power loss nominal load max.	4.5 W
Rise time	< 1.2 ms
Connection in parallel	yes, for redundancy and increased capacity
Connection in series	yes

Signal: DC OK active

Output description	U _{OUT} > 21.5 V: High signal
Maximum switching voltage	≤ 24 V
Output voltage	+ 24 V DC (Signal)
Continuous load current	≤ 20 mA

Connection data

Input

Connection method	Pluggable screw connection
Conductor cross section, rigid min.	0.2 mm ²
Conductor cross section, rigid max.	2.5 mm ²
Conductor cross section flexible min.	0.2 mm ²
Conductor cross section flexible max.	2.5 mm ²
Conductor cross section AWG min.	24
Conductor cross section AWG max.	12
Stripping length	7 mm
Screw thread	M3
Tightening torque, min	0.5 Nm
Tightening torque max	0.6 Nm

Output

Connection method	Pluggable screw connection
Conductor cross section, rigid min.	0.2 mm ²
Conductor cross section, rigid max.	2.5 mm ²
Conductor cross section flexible min.	0.2 mm ²
Conductor cross section flexible max.	2.5 mm ²
Conductor cross section AWG min.	24
Conductor cross section AWG max.	12
Stripping length	7 mm
Screw thread	M3
Tightening torque, min	0.5 Nm
Tightening torque max	0.6 Nm

Signal

Conductor cross section, rigid min.	0.2 mm ²
Conductor cross section, rigid max.	2.5 mm ²
Conductor cross section flexible min.	0.2 mm ²
Conductor cross section flexible max.	2.5 mm ²

MINI-PS-100-240AC/24DC/1.3 - Power supply unit



2866446

<https://www.phoenixcontact.com/in/products/2866446>

Conductor cross section AWG min.	24
Conductor cross section AWG max.	12
Screw thread	M3
Tightening torque, min	0.5 Nm
Tightening torque max	0.6 Nm

Signaling

Types of signaling	LED
	Active switching output
Operating voltage display	Green LED

Signal output: DC OK active

Status display	"DC OK" LED green
Note on status display	$U_{OUT} > 21.5 \text{ V}$: LED lights up

Electrical properties

Insulation voltage input/output	4 kV (type test)
	3 kV (routine test)

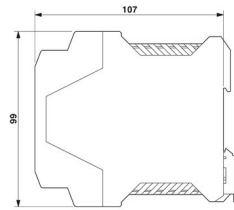
Product properties

Product type	Power supply
Product family	MINI POWER
MTBF (IEC 61709, SN 29500)	> 1104000 h (40 °C)

Insulation characteristics

Protection class	II (in closed control cabinet)
Overvoltage category	III
Degree of pollution	2

Dimensions

Dimensional drawing	
Width	22.5 mm
Height	99 mm
Depth	107 mm

Installation dimensions

Installation distance right/left	0 mm / 0 mm
Installation distance top/bottom	50 mm / 50 mm

Mounting

MINI-PS-100-240AC/24DC/1.3 - Power supply unit



2866446

<https://www.phoenixcontact.com/in/products/2866446>

Assembly instructions	alignable: horizontally 0 mm, vertically 50 mm
Mounting position	horizontal DIN rail NS 35, EN 60715
With protective coating	No

Material specifications

Color	green
Housing material	Plastic
Type of housing	Polyamide PA, color: green

Environmental and real-life conditions

Ambient conditions

Degree of protection	IP20
Ambient temperature (operation)	-25 °C ... 70 °C (> 60 °C Derating: 2,5 %/K)
Ambient temperature (storage/transport)	-40 °C ... 85 °C
Climatic class	3K3 (in acc. with EN 60721)
Max. permissible relative humidity (operation)	≤ 95 % (at 25 °C, non-condensing)
Shock	18 ms, 30g, in each space direction (according to IEC 60068-2-27)
Vibration (operation)	< 15 Hz, amplitude ±2.5 mm (according to IEC 60068-2-6) 15 Hz ... 150 Hz, 2.3g, 90 min.

Standards and regulations

Rail applications	EN 50121-4
Standard – Electronic equipment for use in electrical power installations and their assembly into electrical power installations	EN 50178/VDE 0160 (PELV)
Standard – Limitation of mains harmonic currents	EN 61000-3-2
Standard - Electrical safety	EN 60950-1/VDE 0805 (SELV)
Standard – Safety extra-low voltage	EN 60950-1 (SELV) EN 60204 (PELV)
Standard - Safe isolation	DIN VDE 0100-410

Approvals

UL approvals	UL/C-UL listed UL 508
	UL/C-UL Recognized UL 60950-1
	UL ANSI/ISA-12.12.01 Class I, Division 2, Groups A, B, C, D (Hazardous Location)
	NEC Class 2 as per UL 1310

Conformity/Approvals

SIL in accordance with IEC 61508	0
----------------------------------	---

EMC data

Low Voltage Directive	Conformance with Low Voltage Directive 2014/35/EC
EMC requirements for noise emission	EN 61000-6-3
	EN 61000-6-4

MINI-PS-100-240AC/24DC/1.3 - Power supply unit



2866446

<https://www.phoenixcontact.com/in/products/2866446>

EMC requirements for noise immunity	EN 61000-6-1
	EN 61000-6-2
Electromagnetic compatibility	Conformance with EMC Directive 2014/30/EU
Electrostatic discharge	
Standards/regulations	EN 61000-4-2
Housing	Test Level 3
Electrostatic discharge	
Contact discharge	8 kV
Discharge in air	8 kV
Comments	Criterion B
Electromagnetic HF field	
Standards/regulations	EN 61000-4-3
Electromagnetic HF field	
Frequency range	80 MHz ... 1 GHz
Test field strength	10 V/m
Comments	Criterion A
Fast transients (burst)	
Standards/regulations	EN 61000-4-4
Fast transients (burst)	
Input	4 kV (Test Level 4 - asymmetrical: conductor to ground)
Output	2 kV (Test Level 3 - asymmetrical: conductor to ground)
Signal	2 kV (Test Level 3 - asymmetrical: conductor to ground)
Comments	Criterion B
Surge voltage load (surge)	
Standards/regulations	EN 61000-4-5
Conducted interference	
Standards/regulations	EN 61000-4-6
Conducted interference	
I/O/S	Test Level 3 - asymmetrical
Frequency range	0.15 MHz ... 80 MHz
Comments	Criterion A
Voltage	10 V
Voltage dips	
Standards/regulations	EN 61000-4-11
Emitted interference	
Standards/regulations	EN 61000-6-3
Radio interference voltage in acc. with EN 55011	EN 55011 (EN 55022) Class B, area of application: Industry and residential

MINI-PS-100-240AC/24DC/1.3 - Power supply unit



2866446

<https://www.phoenixcontact.com/in/products/2866446>

Emitted radio interference in acc. with EN 55011

EN 55011 (EN 55022) Class B, area of application: Industry and residential

MINI-PS-100-240AC/24DC/1.3 - Power supply unit

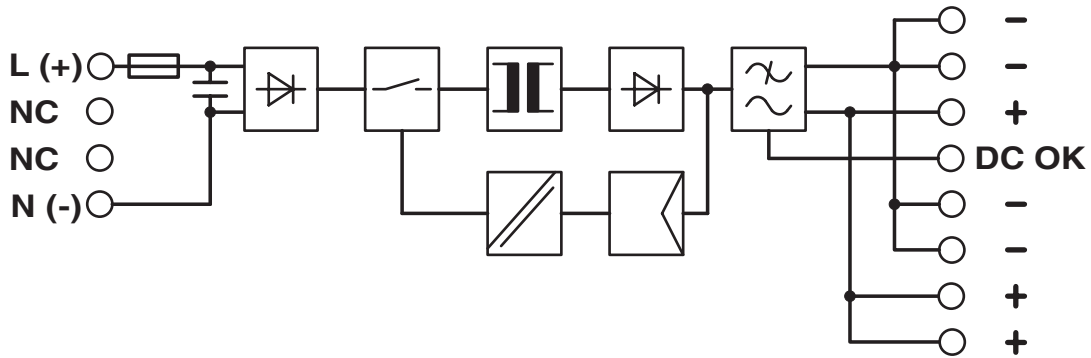


2866446

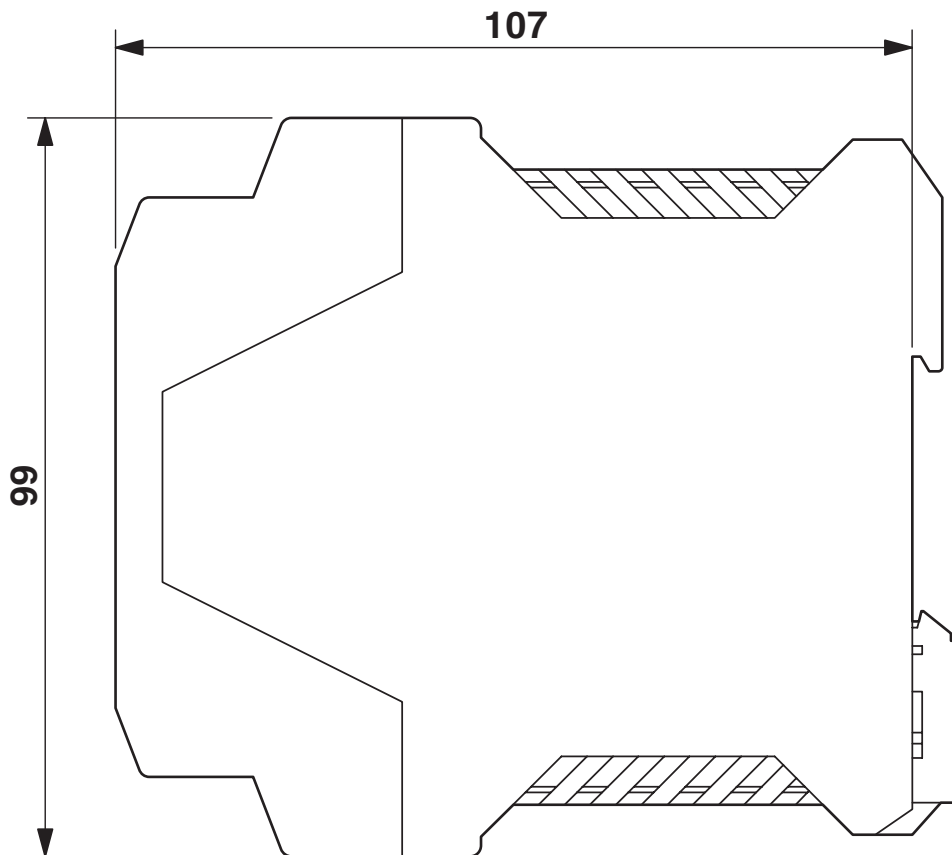
<https://www.phoenixcontact.com/in/products/2866446>

Drawings

Block diagram



Dimensional drawing



MINI-PS-100-240AC/24DC/1.3 - Power supply unit



2866446

<https://www.phoenixcontact.com/in/products/2866446>

Approvals



cUL Recognized
Approval ID: FILE E 211944



UL Recognized
Approval ID: FILE E 211944



EAC
Approval ID: EAC-Zulassung



EAC
Approval ID: RU S-DE.BL08.W.00764



UL Listed
Approval ID: FILE E 123528



cUL Listed
Approval ID: FILE E 123528



cUL Listed
Approval ID: FILE E 123528



UL Listed
Approval ID: FILE E 123528



EAC
Approval ID: RU S-DE.BL08.W.00764



cUL Listed
Approval ID: FILE E 199827



UL Listed
Approval ID: FILE E 199827

MINI-PS-100-240AC/24DC/1.3 - Power supply unit



2866446

<https://www.phoenixcontact.com/in/products/2866446>

Classifications

ECLASS

ECLASS-11.0

27040701

ETIM

ETIM 8.0

EC002540

UNSPSC

UNSPSC 21.0

39121000

MINI-PS-100-240AC/24DC/1.3 - Power supply unit



2866446

<https://www.phoenixcontact.com/in/products/2866446>

Environmental Product Compliance

REACH SVHC	Lead 7439-92-1
China RoHS	Environmentally Friendly Use Period = 25;
	For information on hazardous substances, refer to the manufacturer's declaration available under "Downloads"

MINI-PS-100-240AC/24DC/1.3 - Power supply unit



2866446

<https://www.phoenixcontact.com/in/products/2866446>

Accessories

PLT-SEC-T3-230-FM-UT - Type 3 surge protection device

2907919

<https://www.phoenixcontact.com/in/products/2907919>



Type 2/3 surge protection, consisting of protective plug and base element with screw connection. For single-phase power supply network with integrated status indicator and remote signaling. Nominal voltage: 230 V AC/DC

TTC-6P-T3-24DC-PT-I - Type 3 surge protection device

1027586

<https://www.phoenixcontact.com/in/products/1027586>



Type 3 surge protection, consisting of protective plug and base element, with integrated status indicator for 24 V DC power supplies

Phoenix Contact 2023 © - all rights reserved

<https://www.phoenixcontact.com>

PHOENIX CONTACT (I) Pvt. Ltd.

A-58/2, Okhla Industrial Area, Phase - II, New Delhi-110 020

+91.1275.71420

info@phoenixcontact.co.in