

1

2

3

4

PRODUCT NUMBER
76347-DGCYXXLF

WHEN NEEDED, SUFFIX LETTER "LF"
INDICATES THE PRODUCT IS RoHS
COMPATIBLE, SEE NOTE 3

DEPENDS ON:
INSULATION BARREL,
WIRE BARREL AWG RANGE,
REELING METHOD,
NUMBER OF PRODUCT.
SEE TABLE SHEET 2/2.

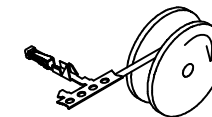
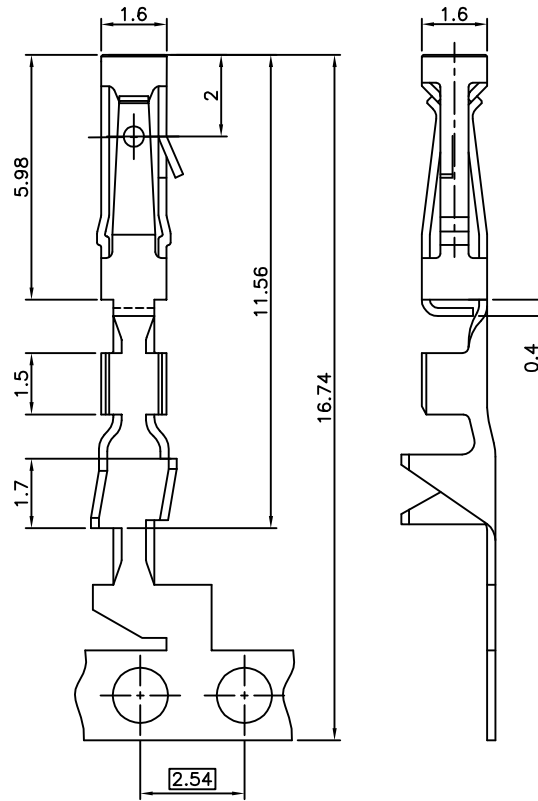
PLATING CODE
3= 0.76µm GOLD ON CONTACT AREA.
3.81µm TIN-LEAD ON TAIL.
4= 5µm TIN-LEAD ON CONTACT AREA.
3.81µm TIN-LEAD ON TAIL.

WHEN SUFFIX "LF" IS REQUIRED, 2µm MIN MATTE
TIN OVER 1.27 MIN Ni IS SUPPLIED INSTEAD OF SnPb.

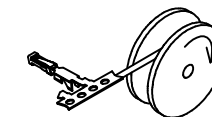
BASE NUMBER

NOTES:

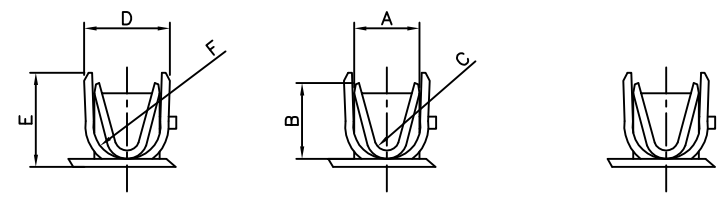
- 1 - TERMINAL MATERIAL: PHOSPHOR BRONZE.
- 2 - PRODUCT PACKED IN REEL.
- 3 - "LF" MEANS THE PRODUCT IS LEAD-FREE,
2µm MINIMUM MATTE TIN OVER 1.27µm
MINIMUM NICKEL UNDERPLATE.
- 4 - 76347-DGC*** APPLICABLE HOUSING: 10066440-DGC****
- 5 - PRODUCT SPEC: GS-12-474
- 6 - APPLICATION SPEC: GS-20-0445
- 7 - THE PART IS BEEN SOLD AS LOOSE PIECE AND FCI GUARANTEES
IS THE PART IN COMPLIANCE WITH THIS CUSTOMER DRAWING STATEMENT
THE PRODUCT SPEC FOR CABLE ASSEMBLY CAN BE ONLY AS THE REFERENCE
DOCUMENT BECAUSE THE TESTING AND SPEC IS BASED ON USING FCI RAW
CABLE AND CABLE ASSEMBLY. IF THE RAW CABLE AND CABLE ASSEMBLY
IS OUTSIDE SUPPLIERS SOURCED BY CUSTOMERS, CUSTOMERS OR CABLE ASSEMBLY
SUPPLIERS SHOULD BE FULLY REponsible FOR THE CABLE ASSY QUALITY.



REELING METHOD P



REELING METHOD R



Copyright FCI.

spec ref	-	dr	Yong Zhang	2014-10-14	projection		size	A3	scale	N/A	
tolerance std	TOLERANCES UNLESS OTHERWISE SPECIFIED	eng	Yong Zhang	2014-10-14		mm	ecn no	-			
-		chr	GF Jin	2014-10-14			rel level	-			
surface	linear	appr	GF Jin	2014-10-14	product family	Signal Terminal PowerBlade Cable Assembly		dwg no	76347-DGC	rev	A
-	angular	www.fci.com		cat. no.	-	Customer Drawing		sheet 1 of 2			

Pro/E File - REV C - 2008-08-08

1

2

3

4

1

2

3

4

A

A

B

B

C

C

D

D

PRODUCT NUMBER	WIRE BARREL			INSULATION BARREL				REELING		APPLICATION DATA	
	AWG SIZE	A	B	C	INSULATION DIA RANGE	D	E	F	METHOD		PRODUCTS
76347-DGCX01(LF)	22-30	1.6	1.6	0.3	0.9-1.5	2.1	2.6	0.8	P	15 000	TA 317
76347-DGCX02(LF)	22-30	1.6	1.6	0.3	0.9-1.5	2.1	2.6	0.8	R	15 000	TA 317
76347-DGCX03(LF)	22-30	1.6	1.6	0.3	0.9-1.5	2.1	2.6	0.8	R	500	TA 317
76347-DGCX11(LF)	20-22	2.1	2.0	0.6	1.1-1.6	2.4	2.2	0.8	P	15 000	TA 317
76347-DGCX12(LF)	20-22	2.1	2.0	0.6	1.1-1.6	2.4	2.2	0.8	R	15 000	TA 317
76347-DGCX41(LF)	28-32	1.7	1.0	0.3	0.55-0.8	1.3	1.3	0.3	P	15 000	TA 340
76347-DGCX42(LF)	28-32	1.7	1.0	0.3	0.55-0.8	1.3	1.3	0.3	R	15 000	TA 340



Copyright FCI.

spec ref	-	dr	Yong Zhang	2014-10-14	projection		size	A3	scale	N/A									
tolerance std	TOLERANCES UNLESS OTHERWISE SPECIFIED	eng	Yong Zhang	2014-10-14		mm	ecn no	-											
-		chr	GF Jin	2014-10-14			rel level	-											
surface	<table border="1"> <tr> <td rowspan="3">linear</td> <td>0.X</td> <td>±0.13</td> </tr> <tr> <td>0.XX</td> <td>±0.13</td> </tr> <tr> <td>0.XXX</td> <td>±-</td> </tr> <tr> <td rowspan="2">angular</td> <td>0°</td> <td>±2°</td> </tr> </table>	linear	0.X	±0.13	0.XX	±0.13	0.XXX	±-	angular	0°	±2°	appr	GF Jin	2014-10-14	product family			rev	A
linear	0.X		±0.13																
	0.XX		±0.13																
	0.XXX	±-																	
angular	0°	±2°																	
	-				Signal Terminal PowerBlade Cable Assembly		dwg no	76347-DGC											
		www.fci.com	cat. no.	-	Customer Drawing			sheet 2 of 2											

Pw/E Fba - REV C - 2008-04-08

1

2

3

4