

# SACC-E-M12FS-5CON-PG9/0,5 - Device connector front mounting



1671098

<https://www.phoenixcontact.com/in/products/1671098>

Please be informed that the data shown in this PDF document is generated from our Online Catalog. Please find the complete data in the user documentation. Our General Terms of Use for Downloads are valid.



Device connector front mounting, Universal, 5-position, Flush-type female connector, straight, M12-Standard, coding: A , on free cable end, Front mounting, Pg9, Individual wires, cable length: 0.5 m, 0.34 mm<sup>2</sup>, TPE litz wire

## Your advantages

- Pre-assembled with litz wires for immediate use
- Customer-specific assemblies and litz wire lengths available
- Sealed on the litz wire side for optimum leak-tightness
- All standard pin assignments and codings for signal, data, and power transmission with a uniform design-in design
- For high transmission safety: shield connection to the housing with optional EMC nut

## Commercial Data

Item number	1671098
Packing unit	1 pc
Minimum order quantity	1 pc
Sales Key	ABQ
Product Key	ABQCDB
Catalog Page	Page 35 (C-2-2019)
GTIN	4017918134945
Weight per Piece (including packing)	32 g
Weight per Piece (excluding packing)	22.4 g
Customs tariff number	85366990
Country of origin	DE

# SACC-E-M12FS-5CON-PG9/0,5 - Device connector front mounting



1671098

<https://www.phoenixcontact.com/in/products/1671098>

## Technical Data

### Notes

#### Notes on operation

The electrical and mechanical data specified assume that the connector pair is correctly locked and mounted. If the connector is unlocked and if there is a danger of contamination, the connector must be sealed using a protective cap > IP54. Influences arising from litz wires, cables or PCB assembly must also be taken into consideration.

#### Safety note

#### Safety note

**WARNING:** The connectors may not be plugged in or disconnected under load. Ignoring the warning or improper use may damage persons and/or property.

- **WARNING:** Commission properly functioning products only. The products must be regularly inspected for damage. Decommission defective products immediately. Replace damaged products. Repairs are not possible.

- **WARNING:** Only electrically qualified personnel may install and operate the product. They must observe the following safety notes. The qualified personnel must be familiar with the basics of electrical engineering. They must be able to recognize and prevent danger. The relevant symbol on the packaging indicates that only personnel familiar with electrical engineering are allowed to install and operate the product.

- The products are suitable for applications in plant, controller, and electrical device engineering.

- When operating the connectors in outdoor applications, they must be separately protected against environmental influences.

- Assembled products may not be manipulated or improperly opened.

- Only use mating connectors that are specified in the technical data of the standards listed (e.g. the ones listed in the product accessories online at [phoenixcontact.com/products](https://www.phoenixcontact.com/products)).

- When using the product in direct connection with third-party manufacturers, the user is responsible.

- For operating voltages > 50 V AC, conductive connector housings must be grounded

- Ensure that when laying the cable, the tensile load on the connectors does not exceed the upper limit specified in the standards.

- Observe the corresponding technical data. You will find information:

- o On the product

- o On the packing label

- o In the supplied documentation

- o Online at [phoenixcontact.com/products](https://www.phoenixcontact.com/products) under the product

- Only use tools recommended by Phoenix Contact

- Use a protective cap to protect connectors that are not in use. The suitable accessories are available online in the accessory section of the product at [phoenixcontact.com/products](https://www.phoenixcontact.com/products)

# SACC-E-M12FS-5CON-PG9/0,5 - Device connector front mounting



1671098

<https://www.phoenixcontact.com/in/products/1671098>

	<ul style="list-style-type: none"> <li>• Ensure that the protective or functional ground has been properly connected.</li> <li>• VDE 0100/1.97 § 411.1.3.2 and DIN EN 60 204/11.98 § 14.1.3 are applicable when combining several circuits in a cable and/or connector</li> <li>• The connector warms up in normal operation. Depending on the ambient conditions, the surface of the connector can continue to warm up. In this case, the user is responsible for posting warnings (e.g. DIN EN ISO 13732-1:2008-12).</li> </ul>
--	---

## Mounting

Mounting type	Front mounting Pg9
---------------	--------------------

## Product properties

Product type	Circular connectors (device side)
Number of positions	5
No. of cable outlets	1
Shielded	no
Coding	A
Thread type	M12

### Insulation characteristics

Overvoltage category	II
Degree of pollution	3

## Material specifications

Flammability rating according to UL 94	V0
Seal material	FKM
Contact material	CuZn
Contact surface material	Ni/Au
Contact carrier material	PA 66
Material for screw connection	Zinc die-cast, nickel-plated
Conductor material	Tin-plated Cu litz wires

## Electrical properties

Rated surge voltage	1.5 kV
Contact resistance	≤ 3 mΩ
Insulation resistance	> 100 MΩ
Nominal voltage $U_N$	60 V (AC) 60 V (DC)
Nominal current $I_N$	4 A

## Connection data

### Conductor connection

Connection method	Individual wires
-------------------	------------------

# SACC-E-M12FS-5CON-PG9/0,5 - Device connector front mounting



1671098

<https://www.phoenixcontact.com/in/products/1671098>

Type of contact	Crimp contacts
Conductor cross section	0.34 mm <sup>2</sup>
Tightening torque	3 Nm
	4 Nm

## Connector

### Connection 1

Head design	Flush-type female connector
Head cable outlet	straight
Head thread type	M12
Head locking type	Standard
Coding	A

### Connection 2

Head design	free cable end
-------------	----------------

## Cable/line

Cable length	0.5 m
Cable type	TPE litz wire
Signal type/category	Universal
Wire diameter incl. insulation	1.2 mm ±0.07 mm
Single wire, color	black, brown, blue, white, gray
Conductor material	Tin-plated Cu litz wires
Conductor structure signal line	7x 0.25 mm
AWG signal line	22
Material wire insulation	TPE
Thickness, insulation	0.21 mm (Core insulation)
Nominal voltage, cable	300 V
Test voltage, cable	2000 V AC
Cable resistance	≤ 57.6 Ω/km
Cable insulation resistance	≥ 20 MΩ*km
Ambient temperature (operation)	-40 °C ... 85 °C (cable, fixed installation)
	-25 °C ... 85 °C (Cable, flexible installation)

## Environmental and real-life conditions

### Ambient conditions

Degree of protection	IP67
	IP67
Ambient temperature (operation)	-25 °C ... 85 °C (Plug / socket)
	-40 °C ... 85 °C (without mechanical actuation)
	-25 °C ... 85 °C (Cable, flexible installation)
	-40 °C ... 85 °C (cable, fixed installation)

# SACC-E-M12FS-5CON-PG9/0,5 - Device connector front mounting



1671098

<https://www.phoenixcontact.com/in/products/1671098>

## Standards and regulations

M12

Standards/specifications	IEC 61076-2-101
--------------------------	-----------------

# SACC-E-M12FS-5CON-PG9/0,5 - Device connector front mounting

1671098

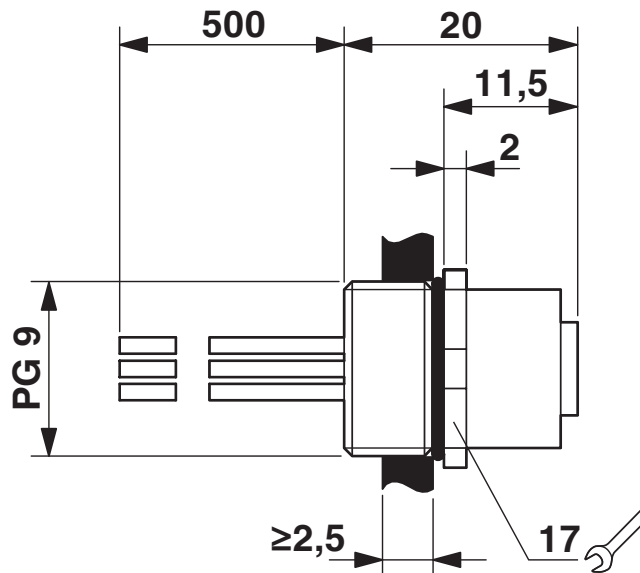
<https://www.phoenixcontact.com/in/products/1671098>

## Drawings

Circuit diagram



Dimensional drawing

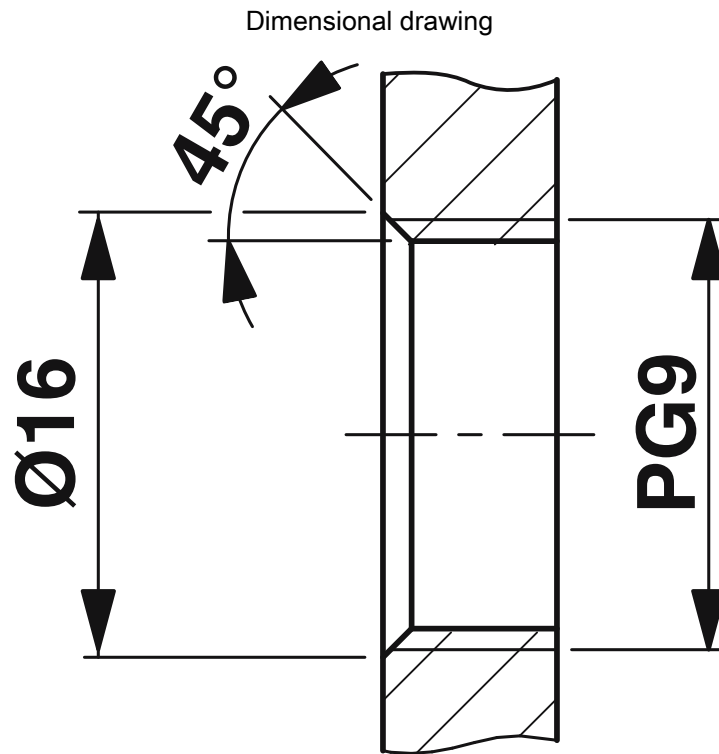


Dimensional drawing

# SACC-E-M12FS-5CON-PG9/0,5 - Device connector front mounting

1671098

<https://www.phoenixcontact.com/in/products/1671098>



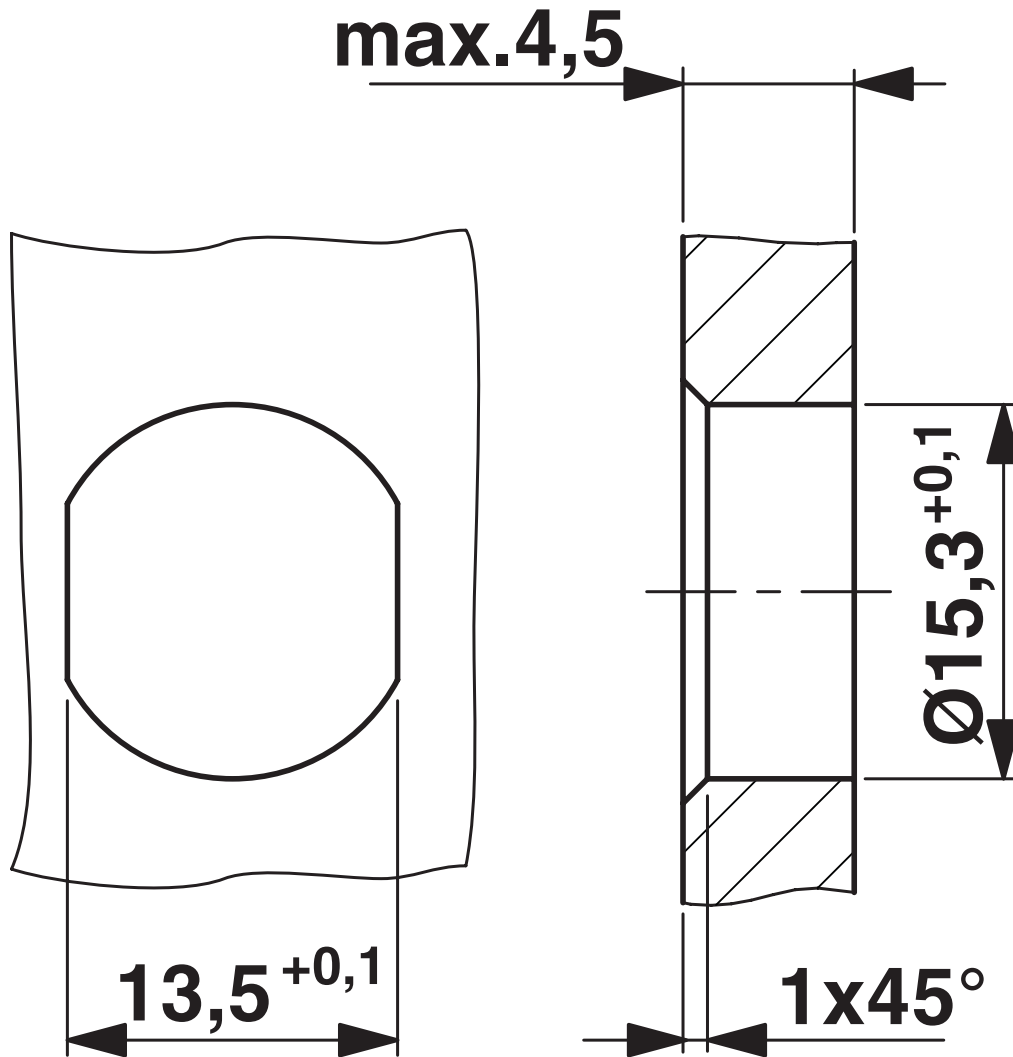
Housing cutout for Pg9 fastening thread, mounting panel with thread

SACC-E-M12FS-5CON-PG9/0,5 - Device connector  
front mounting

1671098

<https://www.phoenixcontact.com/in/products/1671098>

Dimensional drawing



Housing cutout for Pg9 fastening thread, mounting panel with feed-through hole (alternatively with surface as protection against rotation)

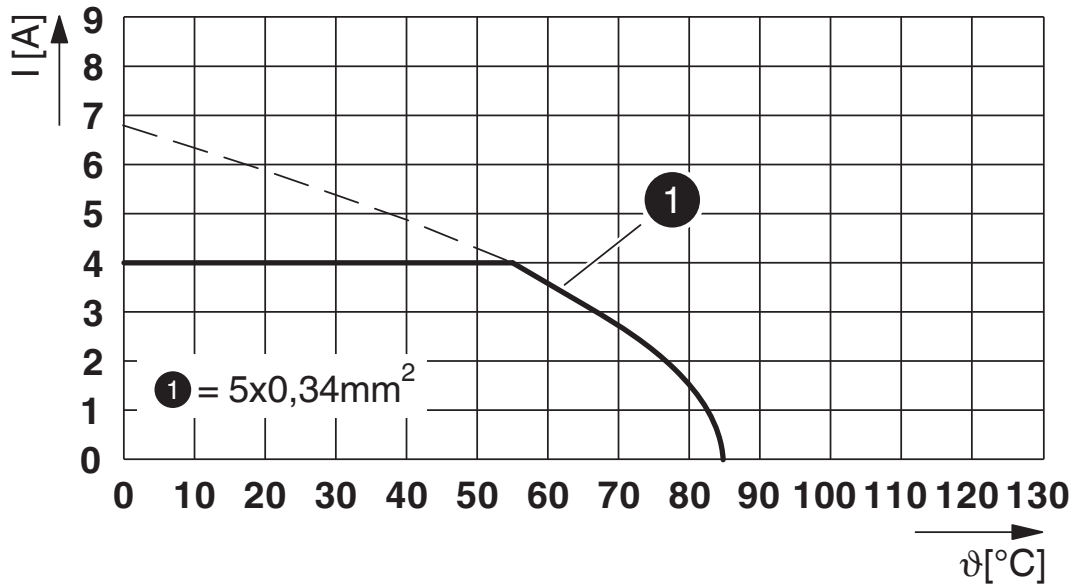


# SACC-E-M12FS-5CON-PG9/0,5 - Device connector front mounting

1671098

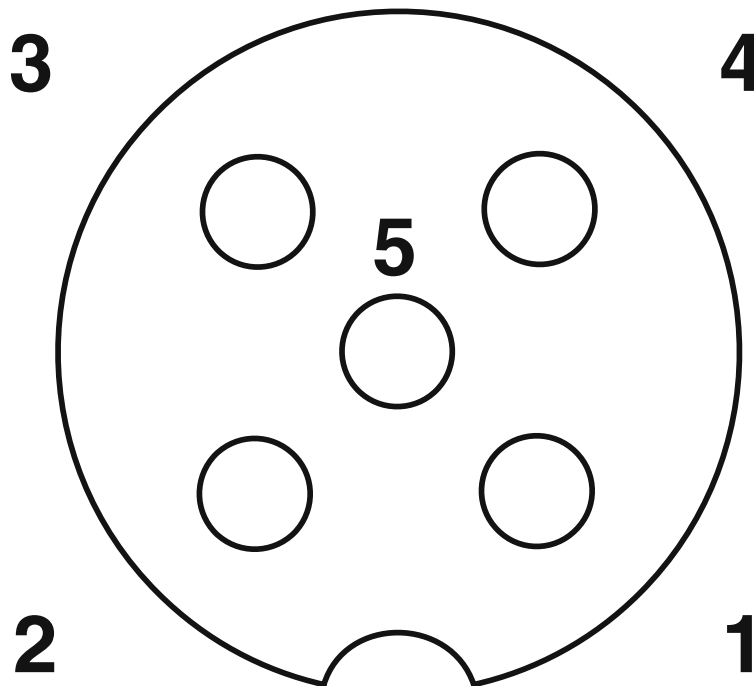
<https://www.phoenixcontact.com/in/products/1671098>

Diagram



$I$  = current strength,  $T$  = ambient temperature

Schematic diagram



Pin assignment M12 socket, 5-pos., A-coded, socket side view


# SACC-E-M12FS-5CON-PG9/0,5 - Device connector front mounting





1671098


<https://www.phoenixcontact.com/in/products/1671098>

## Approvals

	<b>cUL Recognized</b> Approval ID: E118976-20100522			
	Nominal Voltage $U_N$	Nominal Current $I_N$	Cross Section AWG	Cross Section $\text{mm}^2$
	60 V	4 A	- 22	-

	<b>UL Recognized</b> Approval ID: E118976-20100522			
	Nominal Voltage $U_N$	Nominal Current $I_N$	Cross Section AWG	Cross Section $\text{mm}^2$
	60 V	4 A	- 22	-

	<b>EAC</b> Approval ID: B.01687
--	------------------------------------

	<b>cULus Recognized</b> Approval ID: E221474-20140616			
	Nominal Voltage $U_N$	Nominal Current $I_N$	Cross Section AWG	Cross Section $\text{mm}^2$
	60 V	4 A	22 - 20	-

# SACC-E-M12FS-5CON-PG9/0,5 - Device connector front mounting



1671098

<https://www.phoenixcontact.com/in/products/1671098>

## Classifications

### ECLASS

ECLASS-11.0	27440102
ECLASS-12.0	27440116
ECLASS-13.0	27440116

### ETIM

ETIM 8.0	EC002635
----------	----------

### UNSPSC

UNSPSC 21.0	39121400
-------------	----------

# SACC-E-M12FS-5CON-PG9/0,5 - Device connector front mounting



1671098

<https://www.phoenixcontact.com/in/products/1671098>

## Environmental Product Compliance

China RoHS	Environmentally friendly use period: unlimited = EFUP-e
	No hazardous substances above threshold values

# SACC-E-M12FS-5CON-PG9/0,5 - Device connector front mounting



1671098

<https://www.phoenixcontact.com/in/products/1671098>

## Accessories

### SACC-E-MU-PG9 - Flat nut

1504084

<https://www.phoenixcontact.com/in/products/1504084>

Flat nut, Screw mounting, Pg9, cable gland Pg9, Alternative product in accordance with RoHS II without Exemption 6c (Pb <0.1%) item no.: 1239862



---

### SACC-PG9-SEAL CLM - Flat gasket

1556320

<https://www.phoenixcontact.com/in/products/1556320>

Pg9 flat gasket, for M12 flush-type connectors with Pg9 fastening thread



# SACC-E-M12FS-5CON-PG9/0,5 - Device connector front mounting



1671098

<https://www.phoenixcontact.com/in/products/1671098>

## PROT-M12 - Screw plug

1680539

<https://www.phoenixcontact.com/in/products/1680539>



An M12 screw plug for the unoccupied M12 sockets of the sensor/actuator cable, boxes and flush-type connectors

---

## PROT-M12 SH - Screw plug

1503302

<https://www.phoenixcontact.com/in/products/1503302>



An M12 screw plug for the unoccupied M12 sockets of the shielded sensor/actuator cable, boxes and flush-type connectors

# SACC-E-M12FS-5CON-PG9/0,5 - Device connector front mounting



1671098

<https://www.phoenixcontact.com/in/products/1671098>

## PROT-M12 FB - Screw plug

1555538

<https://www.phoenixcontact.com/in/products/1555538>



M12 high-grade steel screw plug, for unoccupied M12 sockets of the sensor/actuator cables, boxes and flush-type connectors for the food industry

---

Phoenix Contact 2023 © - all rights reserved  
<https://www.phoenixcontact.com>

PHOENIX CONTACT (I) Pvt. Ltd.  
A-58/2, Okhla Industrial Area, Phase - II, New Delhi-110 020

+91.1275.71420  
[info@phoenixcontact.co.in](mailto:info@phoenixcontact.co.in)