

Product data sheet

Specifications



Single contact block, Harmony XB4, silver alloy, spring clamp terminal, 1NC

ZBE1025

Main

Range of product	Harmony XB5 Harmony XB4
Product or component type	Contact block
Device short name	ZBE
Sale per indivisible quantity	4
IP degree of protection	IP20 conforming to IEC 60529
Contact operation	Slow-break
Contact block type	Single
Contacts usage	Standard contacts
Connections - terminals	Spring clamp terminals

Complementary

Net weight	0.011 kg
Contacts type and composition	1 NC
Positive opening	With conforming to EN/IEC 60947-5-1 appendix K
Operating travel	1.5 mm (NC changing electrical state) 4.3 mm (total travel)
Operating force	2 N NC changing electrical state
Mechanical durability	10000000 cycles
Contacts material	Silver alloy (Ag/Ni)
Short-circuit protection	10 A cartridge fuse type gG conforming to EN/IEC 60947-5-1
[I _{th}] conventional free air thermal current	10 A conforming to EN/IEC 60947-5-1
[U _i] rated insulation voltage	600 V (pollution degree 3) conforming to EN 60947-1
[U _{imp}] rated impulse withstand voltage	6 kV conforming to EN 60947-1
[I _e] rated operational current	3 A at 240 V, AC-15, A600 conforming to EN/IEC 60947-5-1 6 A at 120 V, AC-15, A600 conforming to EN/IEC 60947-5-1 0.1 A at 600 V, DC-13, Q600 conforming to EN/IEC 60947-5-1 0.27 A at 250 V, DC-13, Q600 conforming to EN/IEC 60947-5-1 0.55 A at 125 V, DC-13, Q600 conforming to EN/IEC 60947-5-1 1.2 A at 600 V, AC-15, A600 conforming to EN/IEC 60947-5-1
Electrical durability	1000000 cycles, AC-15, 2 A at 230 V, operating rate <3600 cyc/h, load factor: 0.5 conforming to EN/IEC 60947-5-1 appendix C 1000000 cycles, AC-15, 3 A at 120 V, operating rate <3600 cyc/h, load factor: 0.5 conforming to EN/IEC 60947-5-1 appendix C

1000000 cycles, AC-15, 4 A at 24 V, operating rate <3600 cyc/h, load factor: 0.5 conforming to EN/IEC 60947-5-1 appendix C
 1000000 cycles, DC-13, 0.2 A at 110 V, operating rate <3600 cyc/h, load factor: 0.5 conforming to EN/IEC 60947-5-1 appendix C
 1000000 cycles, DC-13, 0.5 A at 24 V, operating rate <3600 cyc/h, load factor: 0.5 conforming to EN/IEC 60947-5-1 appendix C

Mounting of block Front mounting

Electrical composition code C11 (quantity <= 3)
 C14 (quantity <= 2)
 M10 (quantity <= 2)

Device presentation Basic element

Environment

Protective treatment TH

Ambient air temperature for storage -40...70 °C

Ambient air temperature for operation -40...70 °C

Standards UL 508
 EN/IEC 60947-1
 EN/IEC 60947-5-1
 CSA C22.2 No 14
 JIS C8201-5-1
 EN/IEC 60947-5-4
 JIS C8201-1

Product certifications BV
 CCC
 GL
 LROS (Lloyds register of shipping)
 GOST
 DNV
 CSA
 UL

Vibration resistance 5 gn (f= 2...500 Hz) conforming to IEC 60068-2-6

Shock resistance 30 gn (duration = 18 ms) for half sine wave acceleration conforming to IEC 60068-2-27
 50 gn (duration = 11 ms) for half sine wave acceleration conforming to IEC 60068-2-27

Packing Units

Unit Type of Package 1 PCE

Number of Units in Package 1 1

Package 1 Height 1 cm

Package 1 Width 3 cm

Package 1 Length 4.5 cm

Package 1 Weight 10 g

Unit Type of Package 2 BB1

Number of Units in Package 2 4

Package 2 Height 5.6 cm

Package 2 Width 4.4 cm

Package 2 Length 5.4 cm

Package 2 Weight 43 g

Unit Type of Package 3 S02

Number of Units in Package 3 320

Package 3 Height 15 cm

Package 3 Width 30 cm

Package 3 Length 40 cm

Package 3 Weight 3.74 kg

Offer Sustainability

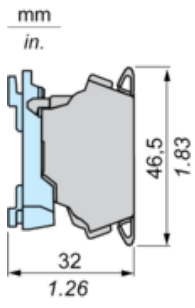
Sustainable offer status	Green Premium product
REACH Regulation	REACH Declaration
REACH free of SVHC	Yes
EU RoHS Directive	Pro-active compliance (Product out of EU RoHS legal scope) EU RoHS Declaration
Toxic heavy metal free	Yes
Mercury free	Yes
China RoHS Regulation	China RoHS declaration
RoHS exemption information	Yes
Environmental Disclosure	Product Environmental Profile
Circularity Profile	End of Life Information
WEEE	The product must be disposed on European Union markets following specific waste collection and never end up in rubbish bins
California proposition 65	WARNING: This product can expose you to chemicals including: Di-isodecyl phthalate (DIDP), which is known to the State of California to cause birth defects or other reproductive harm. For more information go to www.P65Warnings.ca.gov

Contractual warranty

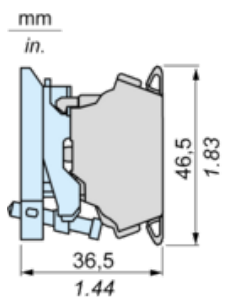
Warranty	18 months
-----------------	-----------

Dimensions

with ZB5AZ009 Fixing Collar



with ZB4BZ009 Fixing Collar

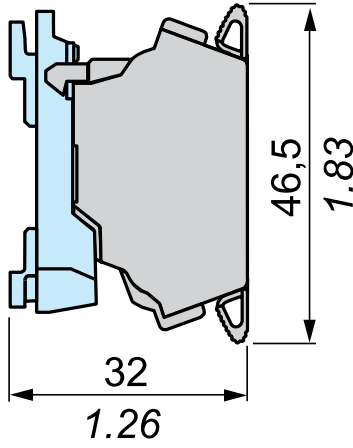


Dimensions

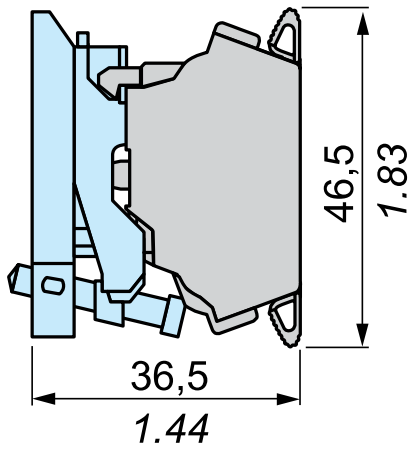
mm

in.

+ ZB5AZ009



+ ZB4BZ009



Recommended replacement(s)