

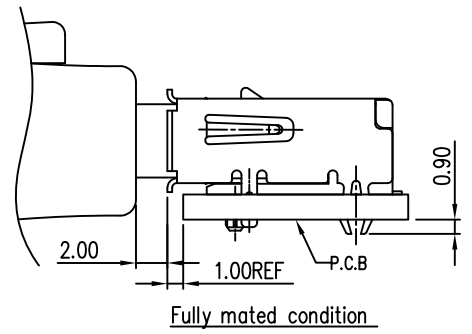
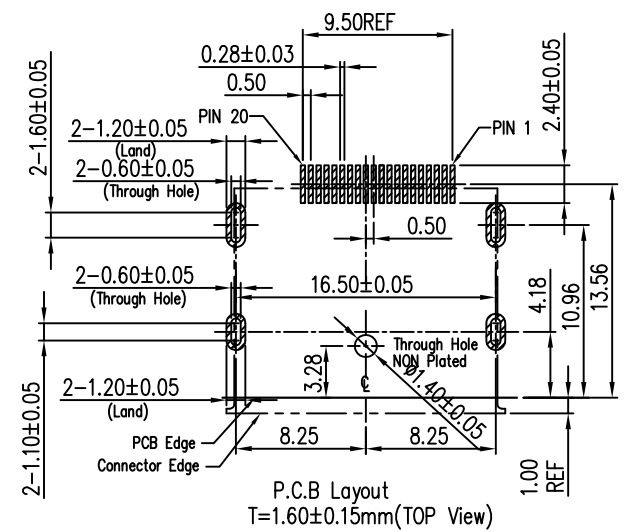
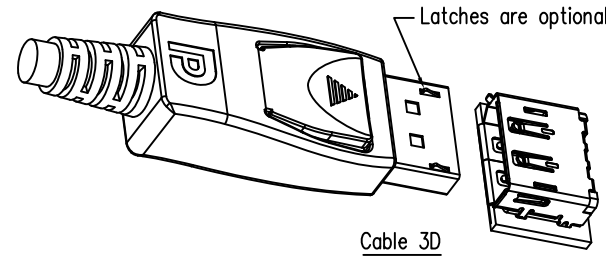
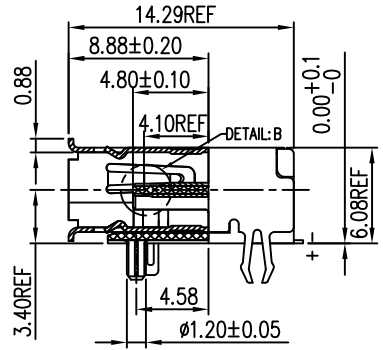
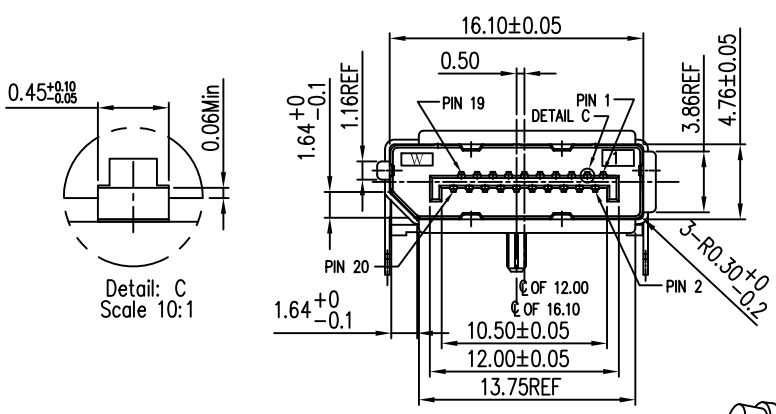
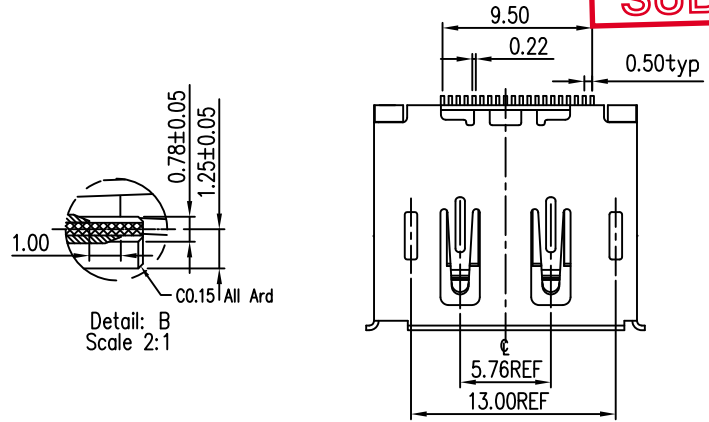
PRELIMINARY RELEASE
SUBJECT TO CHANGE

REVISIONS				
SYM	ECN No.	DESCRIPTION	DATE	APPROVED
AX1		NON-RELEASE REVISION	05/08/2013	Arron Lin

This document is the property of Amphenol Corporation and is delivered on the express condition that is not to be disclosed, reproduced or used, in whole or in part, for manufacture or sale by anyone other than Amphenol Corporation without its prior consent, and that no right is granted to disclose or to use any information in this document.
The marking on this product doesn't contain environmental hazardous materials per Material Specification 55-00259 for Sony GP compliant or per directive 2011/65/EC for RoHS compliant.

PART NO. G46A20X2101WEU
CONTACT FINISH
0: GOLD FLASH
1: 15 u" GOLD
2: 30 u" GOLD

- NOTES:
- MATERIAL:
HOUSING: HIGH TEMPERATURE THERMAL PLASTIC, LCP, UL94V-0,
COLOR: BLACK.
TERMINAL: BRASS.
SHIELD: BRASS.
 - FINISH:
TERMINAL:
CONTACT AREA: SELECTIVE GOLD PLATING THICKNESS MIN.;
SOLDERING AREA: TIN PLATING 100 u" THICKNESS MIN.;
UNDER PLATING: NICKEL PLATING 50 u" THICKNESS MIN. OVERALL
SHIELD: NICKEL PLATING 50 u" THICKNESS MIN. OVERALL.
 - PACKING IS PER AMTA PACKING SPECIFICATION PKS-0001.
 - THIS PRODUCT DOESN'T CONTAIN ENVIRONMENTAL HAZARDOUS PER DIRECTIVE 2011/65/EC FOR RoHS COMPLIANT.



TOLERANCE	APPROVALS	DATE	TITLE	UNIT	SIZE	PART No.
X. ±0.30	DRAWN Debby Hung	05/08/2013	G46A SERIES DISPLAYPORT CONN. 20-POS. RECEPTACLE EXTERNAL R/A, SMT TYPE	mm	A3	G46A20X2101WEU
X.X ±0.20	CHECKED Roger Tsai	05/08/2013				
X.XX ±0.10	APPROVED Arron Lin	05/08/2013				
ANGULAR ±1°	DWG TYPE CUST DWG	PROJECT CODE OTHER				
UNLESS OTHERWISE SPECIFIED				SCALE NA	SHEET 1 OF 1	DWG No. G46A20X2101WEU
						REV. AX1

Amphenol®
Amphenol Corporation
Amphenol Taiwan Corporation