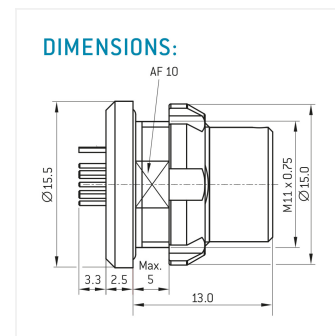
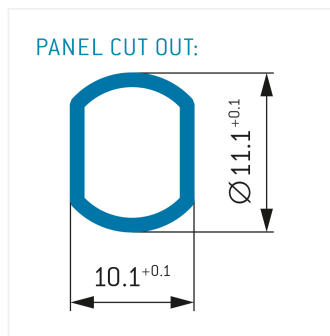
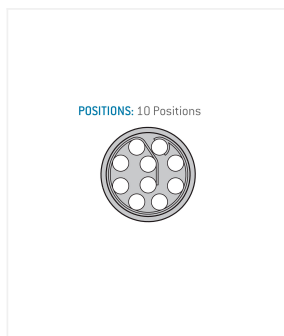
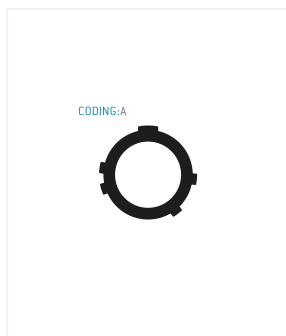


**General information**

Part number	GK0YAR-P10WCD0-000L
Termination	solder
Size	0
Locking principle	break , push
Keying	a_key_amc
Cable Diameter	cable_amc_0



**Contact insert description**

Number of contacts	10
Contact type	sockets
Contact diameter	05mm
Insulator material	peek
Wire cross section	26_awg
Termination	solder
Termination diameter	065mm

reverse\_gender\_on\_request

**Technical information**

Nominal current single contact	05_a	iec_60512_5_2
Nominal current insert	2,75 A	vde_0298_4
Test voltage	06_kv_ac	eia_364_20f

safety\_text

**Mechanical and environmental data**

Degree of protection*	ipsk8_ip6k9k
Operating temperature	51_125_c
Mating cycles	5000

mated

**Material and surface treatments**

Housing	ruthenium
Contact	cu_alloy_gold

safety\_text\_2  
 ul\_text  
 illustrative\_text