

PSBJ 4/15/6 FARBLOS - Female test connector



0303419

<https://www.phoenixcontact.com/in/products/0303419>

Please be informed that the data shown in this PDF document is generated from our Online Catalog. Please find the complete data in the user documentation. Our General Terms of Use for Downloads are valid.



Female test connector, number of positions: 1, fuse type: , mounting type: , , color: transparent

Your advantages

- The test socket PSBJ... is used in place of the normal bridge screw and ensures the voltage pick-off on a bridged group of terminals
- The test sockets are tailored to the special applications encountered in the power supply industry

Commercial Data

Item number	0303419
Packing unit	10 pc
Minimum order quantity	10 pc
Sales Key	BE1
Product Key	BE1Z3X
Catalog Page	Page 586 (C-1-2019)
GTIN	4017918000523
Weight per Piece (including packing)	3.48 g
Weight per Piece (excluding packing)	3.48 g
Customs tariff number	85366990
Country of origin	PL

PSBJ 4/15/6 FARBLOS - Female test connector

0303419

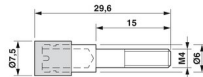
<https://www.phoenixcontact.com/in/products/0303419>

Technical Data

Product properties

Product type	Test socket
Number of positions	1

Dimensions

Dimensional drawing	
Width	6 mm
Length	6 mm
Pin diameter	4.1 mm

Material specifications

Color	transparent
Material	Brass
Insulating material	PA
Contact material	PE-LD, silver-plated brass

Environmental and real-life conditions

Ambient conditions

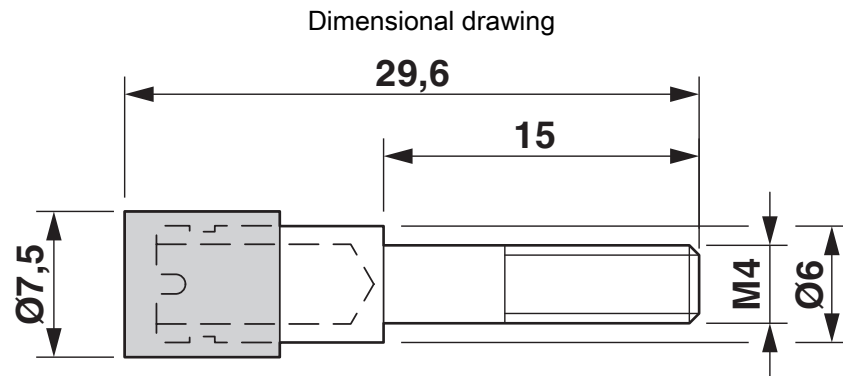
Ambient temperature (operation)	-40 °C ... 80 °C
---------------------------------	------------------

PSBJ 4/15/6 FARBLOS - Female test connector

0303419

<https://www.phoenixcontact.com/in/products/0303419>

Drawings



PSBJ 4/15/6 FARBLOS - Female test connector



0303419

<https://www.phoenixcontact.com/in/products/0303419>

Classifications

ECLASS

ECLASS-11.0

27440313

ETIM

ETIM 8.0

EC002255

UNSPSC

UNSPSC 21.0

20122000

PSBJ 4/15/6 FARBLOS - Female test connector



0303419

<https://www.phoenixcontact.com/in/products/0303419>

Environmental Product Compliance

China RoHS	Environmentally friendly use period: unlimited = EFUP-e
	No hazardous substances above threshold values

Phoenix Contact 2023 © - all rights reserved
<https://www.phoenixcontact.com>

PHOENIX CONTACT (I) Pvt. Ltd.
A-58/2, Okhla Industrial Area, Phase - II, New Delhi-110 020

+91.1275.71420
info@phoenixcontact.co.in