

AI 35 -16 RD - Ferrule

3200441

<https://www.phoenixcontact.com/in/products/3200441>



Please be informed that the data shown in this PDF document is generated from our Online Catalog. Please find the complete data in the user documentation. Our General Terms of Use for Downloads are valid.

Ferrule, sleeve length: 16 mm, length: 30 mm, color: red



Your advantages

- The insulation reliability of close connections is increased and the splicing of wires is prevented
- The ferrules with plastic sleeve are made from soft tin-plated electrolytic copper
- The AI 0,25.. ferrules can also be used to process 0.14 mm² conductors

Commercial Data

Item number	3200441
Packing unit	50 pc
Minimum order quantity	50 pc
Sales Key	BH3
Product Key	BH3411
Catalog Page	Page 481 (C-3-2019)
GTIN	4017918094096
Weight per Piece (including packing)	1.452 g
Weight per Piece (excluding packing)	1.424 g
Customs tariff number	85369010
Country of origin	DE

Technical Data

Product properties

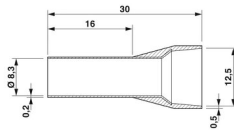
Product type	Cable end sleeve
Conductor category	stranded conductors, class 2, 5, 6 / B, C, K, M

Connection data

Conductor connection

Conductor cross section flexible max.	35 mm ²
Conductor cross section AWG max.	2
Stripping length	20 mm

Dimensions

Dimensional drawing	
Length	30 mm
Sleeve length	16 mm
Maximum stripping length	20 mm
Ferrule diameter	8.3 mm
Sleeve wall thickness	0.2 mm
Insulating collar thickness	0.5 mm
Inner dimensions of the insulating collar	12.5 mm

Material specifications

Color	red
Material	CU-DHP
Flammability rating according to UL 94	HB
Coating	tin-plated (galvanic)
Components	free from silicone and halogen

Mechanical properties

Technical data

Sleeve length	16 mm
---------------	-------

Environmental and real-life conditions

Ambient conditions

Permanent temperature	105 °C (-40 °C no load / 0 °C dynamic load)
Short-term temperature	120 °C

AI 35 -16 RD - Ferrule

3200441

<https://www.phoenixcontact.com/in/products/3200441>



Standards and regulations

Design according to standard

DIN 46228-4, UL 486F-E, NFC 63-023

AI 35 -16 RD - Ferrule

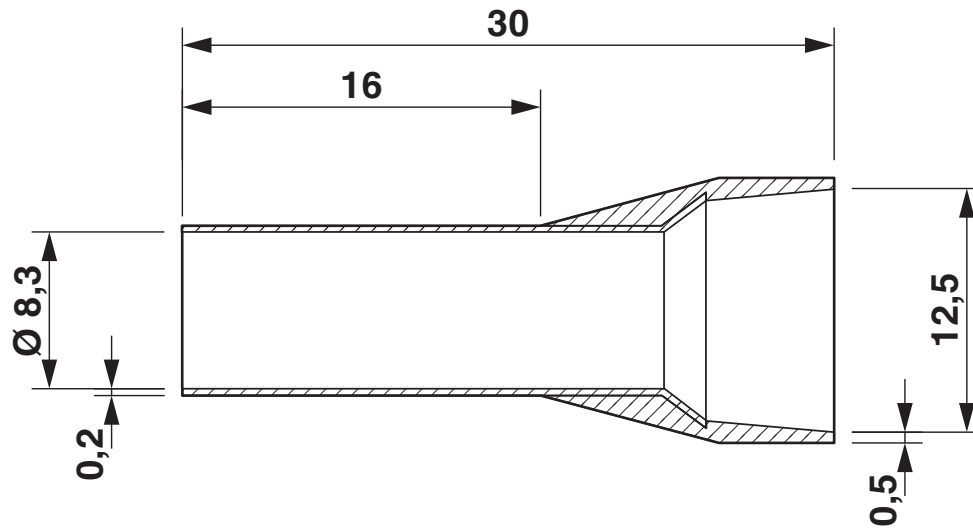
3200441

<https://www.phoenixcontact.com/in/products/3200441>



Drawings

Dimensional drawing



AI 35 -16 RD - Ferrule

3200441

<https://www.phoenixcontact.com/in/products/3200441>



Approvals



UL Listed

Approval ID: E488001



cUL Listed

Approval ID: E488001

AI 35 -16 RD - Ferrule



3200441

<https://www.phoenixcontact.com/in/products/3200441>

Classifications

ECLASS

ECLASS-11.0	27400201
ECLASS-13.0	27400201
ECLASS-12.0	27400201

ETIM

ETIM 8.0	EC000005
----------	----------

UNSPSC

UNSPSC 21.0	27121700
-------------	----------

AI 35 -16 RD - Ferrule

3200441

<https://www.phoenixcontact.com/in/products/3200441>



Environmental Product Compliance

China RoHS	Environmentally friendly use period: unlimited = EFUP-e
	No hazardous substances above threshold values

Phoenix Contact 2023 © - all rights reserved
<https://www.phoenixcontact.com>

PHOENIX CONTACT (I) Pvt. Ltd.
A-58/2, Okhla Industrial Area, Phase - II, New Delhi-110 020

+91.1275.71420
info@phoenixcontact.co.in