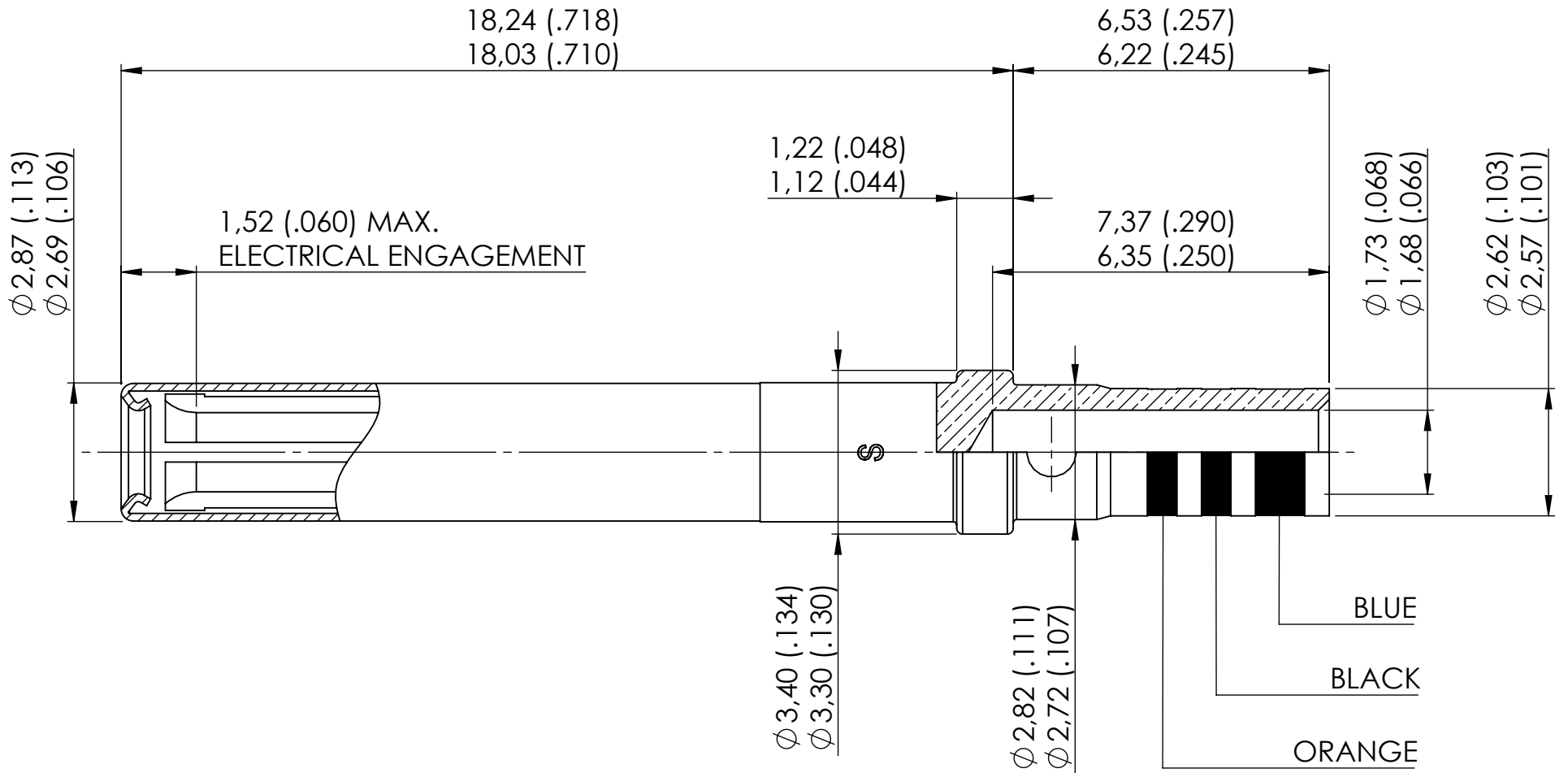


Series  
MPX

SIZE 16 REAR RELEASE, REAR REMOVABLE CRIMP SOCKET CONTACT

Issue:  
Dec. 15, 2015

Page  
1/1



**MATERIAL AND FINISH :**

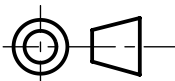
CONTACT BODY : BERYLIUM COPPER - GOLD OVER NICKEL UNDERPLATE  
PROTECTIVE SLEEVE : PASSIVATED STAINLESS STEEL

WIRES ACCOMODATED : AWG 16, 18 AND 20  
INSULATION DIAMETER : Ø2,62 (.103) MAX ; Ø 1,73 (.068) MIN  
STRIP LENGTH : 6,00 (.236)

**TOOLING :**

CRIMPING TOOL : M22520/1-01  
SELECTOR POSITION : 6 FOR AWG 16  
5 FOR AWG 18  
4 FOR AWG 20  
POSITIONER : M22520/1-02

DIMENSIONS : mm (inch are given for information only)



Estimated weight : 0.77 g

CREATION  PEN: /  NOM: FALETTI DATE: Jan. 20, 1988 APPR.: /				
	Dec. 14, 15	Redrawn	COSSON L.	BRANJONNEAU V.
	Issue	Revisions	Name	Approved

This document contains proprietary information and such information shall not be disclosed to any third party for any purpose whatsoever or used for manufacturing purposes without prior written agreement from RADIALL. This information is given as an indication. In the continual goal to improve our products, we reserve the right to make any modifications judged necessary.

4112\_9311