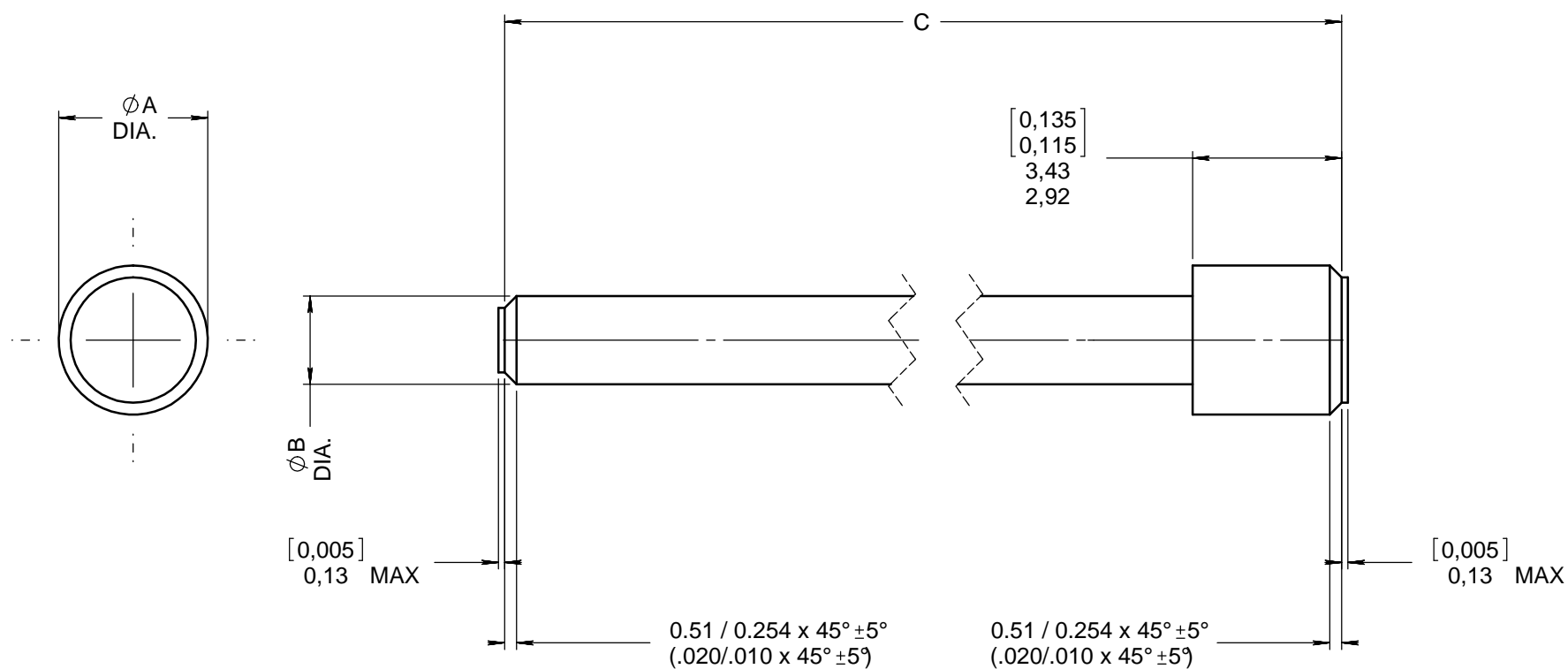


Series
DSX

SEALING PLUGS FOR UNUSED CONTACTS CAVITIES
ENVIRONMENTAL TYPE CONNECTORS PER MS27488

Issue:
JAN 25, 2010

Page
1/1



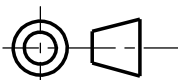
SIZE	RADIALL P/N	MS P/N	COLOR	ϕA DIA.	ϕB DIA.	C DIMENSION
22	616910	MS27488-22-2	BLACK	1.676 (0.066) 1.473 (0.058)	1.143 (0.045) 0.965 (0.038)	12,700 (0.500) 11,125 (0.438)
20	616911	MS27488-20-2	RED	2.286 (0.090) 2.032 (0.080)	1.473 (0.058) 1.219 (0.048)	20.447 (0.805) 19.177 (0.755)
16	616912	MS27488-16-2	GREEN	3.302 (0.130) 3.048 (0.120)	2.007 (0.079) 1.753 (0.069)	22,149 (0.872) 20,879 (0.822)
12	616913	MS27488-12-2	ORANGE	4.318 (0.170) 4.064 (0.160)	3.175 (0.125) 2.921 (0.115)	21,361 (0.841) 20,091 (0.791)

MATERIALS: PTFE FOLLOWING ASTM-D1710
OR
FEP FOLLOWING ASTM-D2116
OR
PFA FOLLOWING ASTM-D3307

IMPORTANT : DO NOT USE THE PPSU

USE AND INSTALLATION : SEE MS27488 (IMPORTANT)

DIMENSIONS : mm (inch are given for information only)



This information is given as an indication. In the continual goal to improve our products, we reserve the right to make any modifications judged necessary.

4112_9311

CREATION				
PEN:				
NOM: GESBERT	JAN 25, 10	DIMENSION AND COLOUR MATERIALS CHANGED PER MS27488 Rev N -	MONDOT JC.	BROCHET L.
DATE: 08.06.82	31/10/08	M --> N (#16: C DIM CHANGED) MATERIALS CHANGED	GELLUSSEAU	BROCHET
APPR.:	26/03/03	REDRAWN; MS27488M WAS MS27488	GOMBERT	/
	Issue	Revisions	Name	Approved