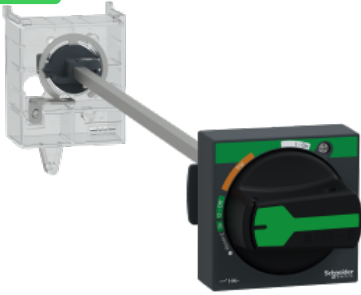


Product datasheet

Specifications



Extended rotary handle kit, TeSys GV3, IP54, black handle, with trip indication, for GV3L-GV3P

GV3APN01

Main

Range	TeSys TeSys Deca
Device short name	GV3AP
Product or component type	Rotary handle kit
Accessory / separate part category	Control accessory
Handle colour	Black
Handle front plate colour	Grey

Complementary

Product compatibility	GV3P GV3L
Rotary handle padlocking	Padlock in ON position Padlock in OFF position
Rotary handle mounting style	Extended
Locking options description	1 to 3 padlocks
Back/Door distance	189...300 mm
Net weight	0.3 kg

Environment

IP degree of protection	IP54
-------------------------	------

Packing Units

Unit Type of Package 1	PCE
Number of Units in Package 1	1
Package 1 Height	6.500 cm
Package 1 Width	9.000 cm
Package 1 Length	37.000 cm
Package 1 Weight	358.000 g
Unit Type of Package 2	S03
Number of Units in Package 2	12
Package 2 Height	30.000 cm

Package 2 Width	30.000 cm
Package 2 Length	40.000 cm
Package 2 Weight	4.770 kg

Offer Sustainability

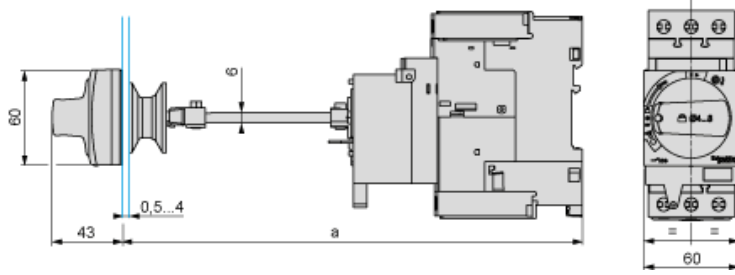
Sustainable offer status	Green Premium product
REACH Regulation	REACH Declaration
EU RoHS Directive	Compliant EU RoHS Declaration
Mercury free	Yes
China RoHS Regulation	China RoHS declaration Product out of China RoHS scope. Substance declaration for your information
RoHS exemption information	Yes
Environmental Disclosure	Product Environmental Profile
Circularity Profile	End of Life Information
WEEE	The product must be disposed on European Union markets following specific waste collection and never end up in rubbish bins

Contractual warranty

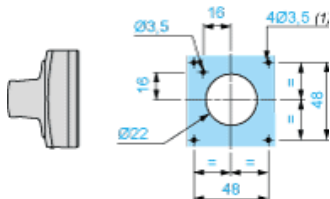
Warranty	18 months
----------	-----------

Mounting

Mounting of External Operator GV3APN01, GV3APN02 or GV3APN04 for Motor Circuit Breakers GV3L

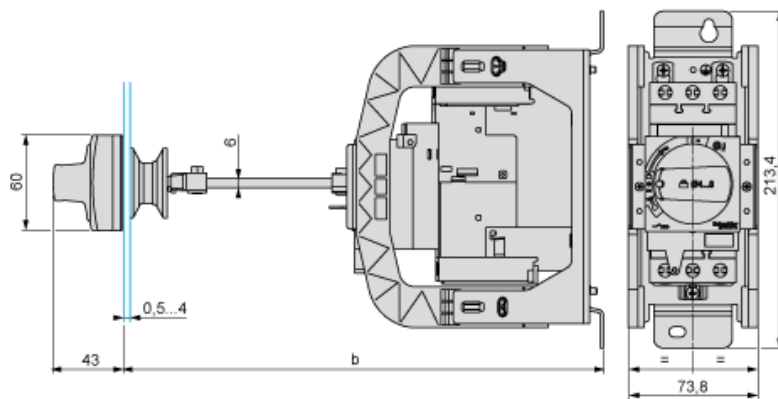


Door cut-out



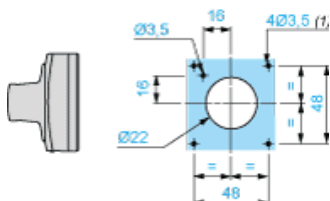
(1) For IP65 only.

Mounting of External Operator GVAPH03 for Motor Circuit Breakers GV3L



	b	
	Minimum	Maximum
GV3APN.. + GVAPH03	200	300
GV3APN.. + GVAPH03 + GVAPK12	300	492

Door cut-out



(1) For IP65 only.

Recommended replacement(s)