

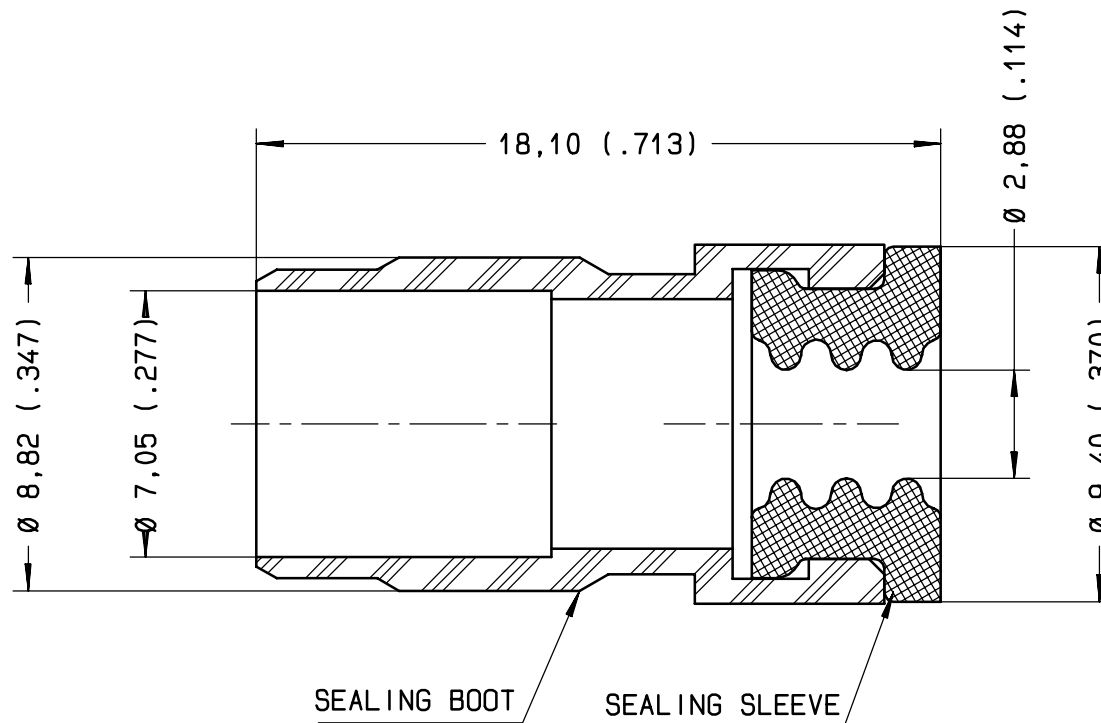
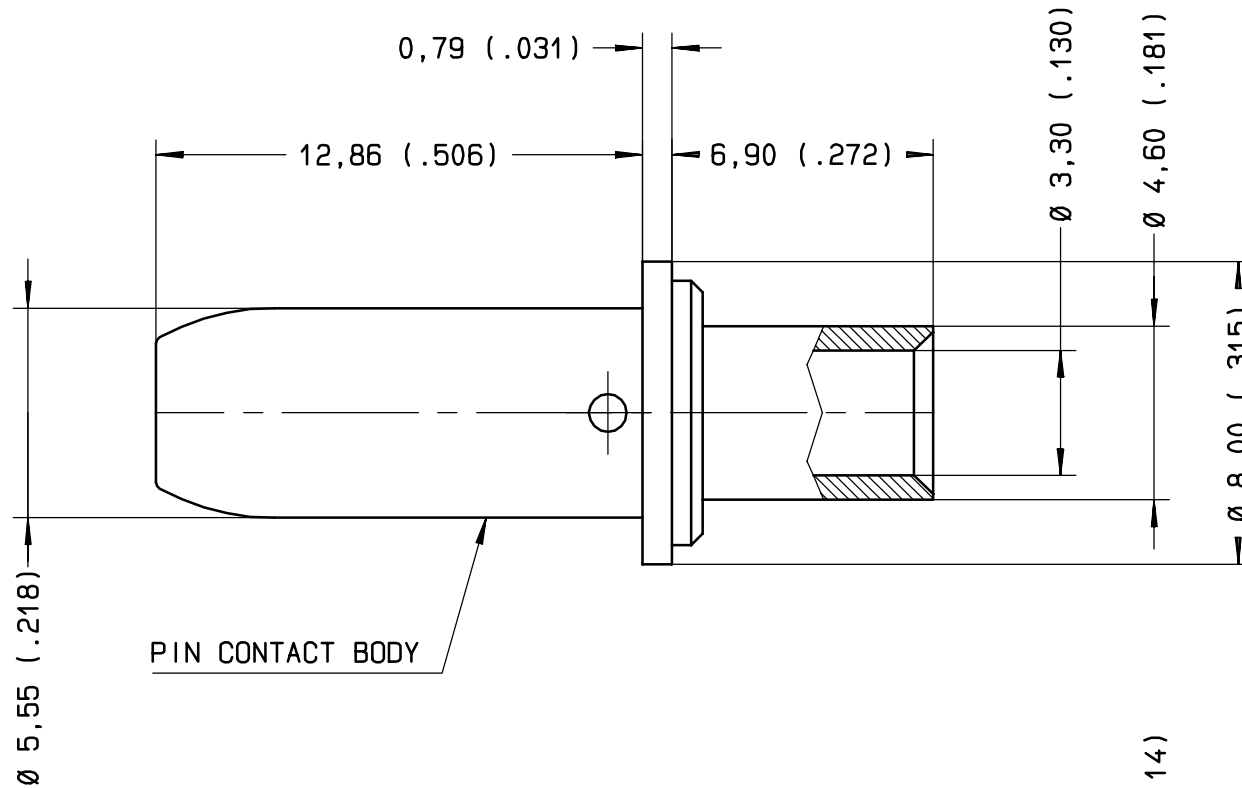


Series
MPX

ENVIRONMENTAL SIZE 8 CRIMP POWER PIN CONTACT
FOR AWG10 CABLE

Issue:
07 JUNE 01

Page
1 / 1



PIN CONTACT BODY:
BRASS PER QQ-B-626
PLATING .00005 INCH OF GOLD PER MIL-G-45204 TYPE I OR II GRADE C OR D
CLASS 1 OVER NICKEL PER QQ-N-290

SEALING BOOT:
FLUOROSILICONE ELASTOMER

SEALING SLEEVE:
PEI (ULTEM)

TOOLING:
CRIMPING TOOL: 282296(DANIELS M300BT)
SELECTOR ON:6
POSITIONNER: 282586
STRIPING LENGHT: 9(.354)
EXTRACTION TOOL: M81969/28-03(RADIALL 282549001)

This information is given as an indication. In the continual goal to improve our products, we reserve the right to make any modifications judged necessary.

CREATION
PEN: /
NOM: FISCHER
DATE: 07 JUNE 01
APPR.:
Issue	Revisions		Name	Approved