

EH 52,5-C DS/ABS GY7035 - Upper part of housing



2201753

<https://www.phoenixcontact.com/in/products/2201753>

Please be informed that the data shown in this PDF document is generated from our Online Catalog. Please find the complete data in the user documentation. Our General Terms of Use for Downloads are valid.

DIN rail housing, Upper housing part, tall design, connection opening on both sides, width: 52.6 mm, height: 75 mm, depth: 36.95 mm, color: light grey (7035)



Your advantages

- DIN rail or wall mounting for application-specific device attachment
- Easy design-in, thanks to variable housing form factor
- Complete flexibility, thanks to PCBs with horizontal, frontal, and orthogonal orientation to the front of the device
- Three cover versions for individual PCB connections
- Integration of a wide variety of PCB connection technologies for a functional device design

Commercial Data

Item number	2201753
Packing unit	10 pc
Minimum order quantity	10 pc
Sales Key	ACH
Product Key	ACHCHC
GTIN	4046356908245
Weight per Piece (including packing)	18.59 g
Weight per Piece (excluding packing)	18.59 g
Customs tariff number	85472000
Country of origin	IN

Technical Data

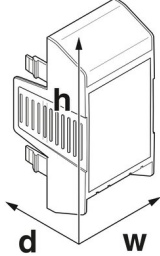
Notes

Assembly instruction:	Refer to the data sheet for the range in the download area.
-----------------------	---

Product properties

Product type	Upper housing part
Product family	EH...C DS
Type	Upper housing part, tall design, connection opening on both sides
Housing type	DIN rail housing
Ventilation openings present	no
Housing series	EH

Dimensions

Dimensional drawing	
Width	52.6 mm
Height	75 mm
Depth	36.95 mm
Depth from base support surface	19.95 mm

Material specifications

Color	light grey (7035)
Flammability rating according to UL 94	HB
Surface characteristics	untreated
Housing material	ABS

Environmental and real-life conditions

Ambient conditions

Max. IP code to attain	IP20
Ambient temperature (operation)	-40 °C ... 80 °C (depending on power dissipation)
Ambient temperature (storage/transport)	-40 °C ... 55 °C
Ambient temperature (assembly)	-5 °C ... 80 °C
Relative humidity (storage/transport)	95 %

PCB data

EH 52,5-C DS/ABS GY7035 - Upper part of housing



2201753

<https://www.phoenixcontact.com/in/products/2201753>

Type of PCB mount	Latching
-------------------	----------

Mounting

Mounting type	Snap in
Mounting position	Vertical (horizontal DIN rail)

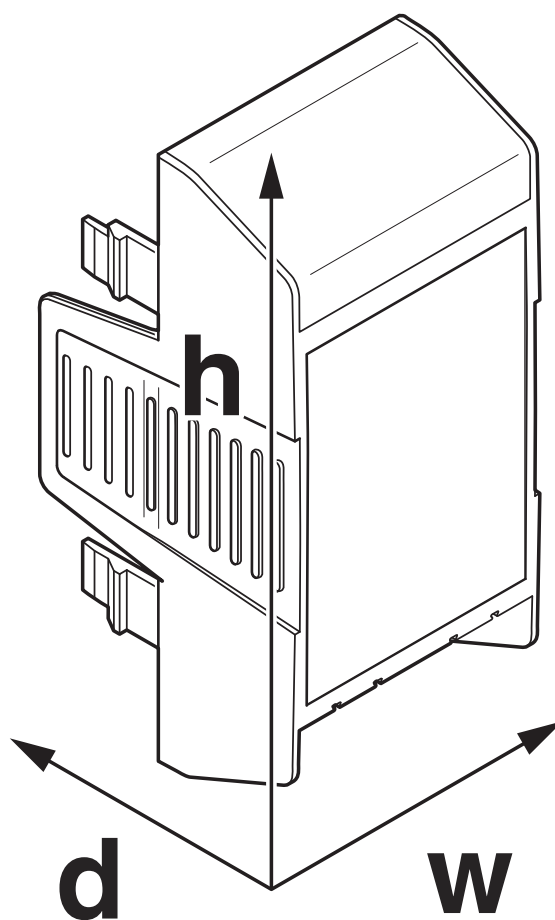
EH 52,5-C DS/ABS GY7035 - Upper part of housing

2201753

<https://www.phoenixcontact.com/in/products/2201753>

Drawings

Dimensional drawing



Schematic figure for illustrating the item dimensions. The figure is not of the desired product. For further details, refer to the product drawings in the "Downloads" tab.

EH 52,5-C DS/ABS GY7035 - Upper part of housing



2201753

<https://www.phoenixcontact.com/in/products/2201753>

Approvals



EAC

Approval ID: B.01687



UL Recognized

Approval ID: FILE E 240868

EH 52,5-C DS/ABS GY7035 - Upper part of housing



2201753

<https://www.phoenixcontact.com/in/products/2201753>

Classifications

ECLASS

ECLASS-11.0

27182702

ETIM

ETIM 8.0

EC001031

UNSPSC

UNSPSC 21.0

31261500

EH 52,5-C DS/ABS GY7035 - Upper part of housing



2201753

<https://www.phoenixcontact.com/in/products/2201753>

Environmental Product Compliance

China RoHS	Environmentally friendly use period: unlimited = EFUP-e
	No hazardous substances above threshold values

2201753

<https://www.phoenixcontact.com/in/products/2201753>

Mandatory Accessories

MKDS 3/ 9-5,08 - PCB terminal block

1707331

<https://www.phoenixcontact.com/in/products/1707331>

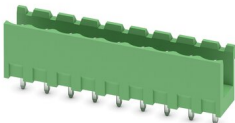


PCB terminal block, nominal current: 24 A, rated voltage (III/2): 400 V, nominal cross section: 2.5 mm², number of potentials: 9, number of rows: 1, number of positions per row: 9, product range: MKDS 3, pitch: 5.08 mm, connection method: Screw connection with tension sleeve, screw head form: L Slotted, mounting: Wave soldering, conductor/PCB connection direction: 0 °, color: green, Pin layout: Linear pinning, Solder pin [P]: 5 mm, number of solder pins per potential: 1, type of packaging: packed in cardboard. The article can be aligned to create different nos. of positions!

MSTBV 2,5/ 9-G - PCB header

1753576

<https://www.phoenixcontact.com/in/products/1753576>



PCB headers, nominal cross section: 2.5 mm², color: green, nominal current: 12 A, rated voltage (III/2): 320 V, contact surface: Tin, type of contact: Pin, number of potentials: 9, number of rows: 1, number of positions: 9, number of connections: 9, product range: MSTBV 2,5/..-G, pitch: 5 mm, mounting: Wave soldering, pin layout: Linear pinning, solder pin [P]: 3.9 mm, number of solder pins per potential: 1, plug-in system: COMBICON MSTB 2,5, Pin connector pattern alignment: Standard, locking: without, mounting: without, type of packaging: packed in cardboard

EH 52,5-C DS/ABS GY7035 - Upper part of housing

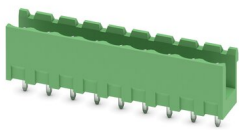
2201753

<https://www.phoenixcontact.com/in/products/2201753>

MSTBV 2,5/ 9-G-5,08 - PCB header

1758089

<https://www.phoenixcontact.com/in/products/1758089>



PCB headers, nominal cross section: 2.5 mm², color: green, nominal current: 12 A, rated voltage (III/2): 320 V, contact surface: Tin, type of contact: Pin, number of potentials: 9, number of rows: 1, number of positions: 9, number of connections: 9, product range: MSTBV 2,5/..-G, pitch: 5.08 mm, mounting: Wave soldering, pin layout: Linear pinning, solder pin [P]: 3.9 mm, number of solder pins per potential: 1, plug-in system: COMBICON MSTB 2,5, Pin connector pattern alignment: Standard, locking: without, mounting: without, type of packaging: packed in cardboard

Accessories

EH 17,5-FP/ABS BK9005 - Filler plugs

2201841

<https://www.phoenixcontact.com/in/products/2201841>



DIN rail housing, Filler plug for unoccupied terminal points (tall design), width: 16.3 mm, height: 19.65 mm, depth: 13.67 mm, color: black (9005)

EH 52,5-C DS/ABS GY7035 - Upper part of housing

2201753

<https://www.phoenixcontact.com/in/products/2201753>



EH 17,5-FP/ABS GY7035 - Filler plugs

2201840

<https://www.phoenixcontact.com/in/products/2201840>



DIN rail housing, Filler plug for unoccupied terminal points (tall design), width: 16.3 mm, height: 19.65 mm, depth: 13.67 mm, color: light grey (7035)

Phoenix Contact 2023 © - all rights reserved

<https://www.phoenixcontact.com>

PHOENIX CONTACT (I) Pvt. Ltd.

A-58/2, Okhla Industrial Area, Phase - II, New Delhi-110 020

+91.1275.71420

info@phoenixcontact.co.in