

# Product data sheet

Specifications



## circuit breaker EasyPact CVS100BS, 25 kA at 415 VAC, 100 A rating thermal magnetic TM-D trip unit, 4P 3d

LV510958

### Main

Range	EasyPact
Product name	EasyPact CVS
Device short name	CVS100BS
Product or component type	Circuit breaker
Device application	Distribution
Poles description	4P
Protected poles description	3D
Earth leakage protection (Vigi add on)	Without
[In] rated current	100 A at 40 °C
Network type	AC
Suitability for isolation	Yes
Utilisation category	Category A
[Icu] Breaking capacity	25 kA Icu at 440 V AC 50/60 Hz conforming to IEC 60947-2 25 kA Icu at 415 V AC 50/60 Hz conforming to IEC 60947-2 50 kA Icu at 200/240 V AC 50/60 Hz conforming to IEC 60947-2 25 kA Icu at 380/400 V AC 50/60 Hz conforming to IEC 60947-2
Trip unit name	TM-D
Trip unit technology	Thermal-magnetic
Trip unit rating	100 A at 40 °C
Protection type	Overload protection (long time) Instantaneous short-circuit protection

### Complementary

[Uimp] rated impulse withstand voltage	8 kV conforming to EN/IEC 60947-2
Network frequency	50/60 Hz
Breaking capacity code	BS
[Ics] rated service breaking capacity	25 kA at 200/240 V AC 50/60 Hz conforming to IEC 60947-2 17 kA at 380/400 V AC 50/60 Hz conforming to IEC 60947-2
Neutral position	Left
Mechanical durability	13000 cycles
Electrical durability	4000 cycles 415 V In conforming to IEC 60947-2

<b>Control type</b>	Toggle
<b>Thermal protection adjustment range</b>	70...100 A
<b>Neutral protection setting</b>	No protection (3D)
<b>Long time pick-up adjustment type I<sub>r</sub></b>	Adjustable
<b>Long time pick-up adjustment range</b>	0.7...1 x I <sub>n</sub>
<b>Long time delay adjustment type</b>	Fixed
<b>Instantaneous pick-up adjustment type I<sub>i</sub></b>	Fixed
<b>Instantaneous pick-up adjustment range</b>	800 A
<b>Contact position indicator</b>	Yes
<b>Mounting mode</b>	Fixed
<b>Mounting support</b>	Backplate
<b>Upside connection</b>	Front
<b>Downside connection</b>	Front
<b>Connections - terminals</b>	Screw connection
<b>Connection pitch</b>	35 mm
<b>Compatibility code</b>	CVS100
<b>Width</b>	100 mm
<b>Depth</b>	60 mm
<b>Height</b>	130 mm
<b>Net weight</b>	1 kg

## Environment

<b>Standards</b>	IEC 60947-2
<b>Product certifications</b>	CCS GOST CCC
<b>Electrical shock protection class</b>	Class II
<b>Pollution degree</b>	3 conforming to IEC 60664-1
<b>IP degree of protection</b>	IP40
<b>Ambient air temperature for operation</b>	-25...70 °C
<b>Ambient air temperature for storage</b>	-50...85 °C

## Packing Units

<b>Unit Type of Package 1</b>	PCE
<b>Number of Units in Package 1</b>	1
<b>Package 1 Height</b>	9.0 cm
<b>Package 1 Width</b>	10.5 cm
<b>Package 1 Length</b>	14.0 cm
<b>Package 1 Weight</b>	1.052 kg
<b>Unit Type of Package 2</b>	S02

Number of Units in Package 2	9
Package 2 Height	15.0 cm
Package 2 Width	30.0 cm
Package 2 Length	40.0 cm
Package 2 Weight	9.87 kg
Unit Type of Package 3	P12
Number of Units in Package 3	288
Package 3 Height	100 cm
Package 3 Width	125 cm
Package 3 Length	55 cm
Package 3 Weight	327.4 kg

## Offer Sustainability

Sustainable offer status	Green Premium product
REACH Regulation	<a href="#">REACH Declaration</a>
EU RoHS Directive	Compliant <a href="#">EU RoHS Declaration</a>
Mercury free	Yes
China RoHS Regulation	<a href="#">China RoHS declaration</a> Product out of China RoHS scope. Substance declaration for your information
RoHS exemption information	<a href="#">Yes</a>
Environmental Disclosure	<a href="#">Product Environmental Profile</a>
Circularity Profile	<a href="#">End of Life Information</a>
WEEE	The product must be disposed on European Union markets following specific waste collection and never end up in rubbish bins

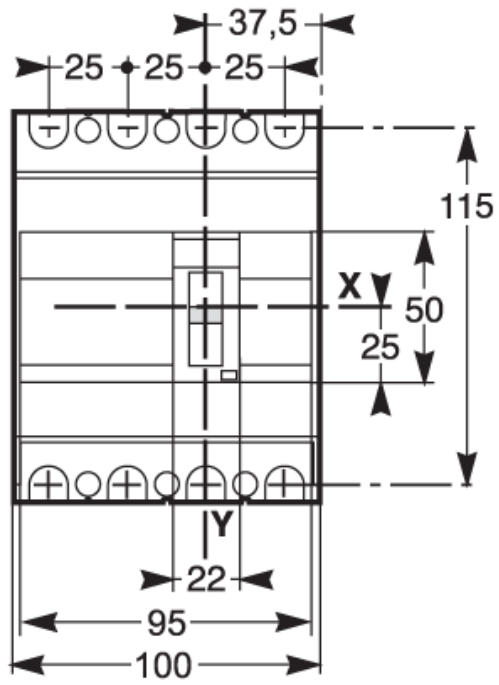
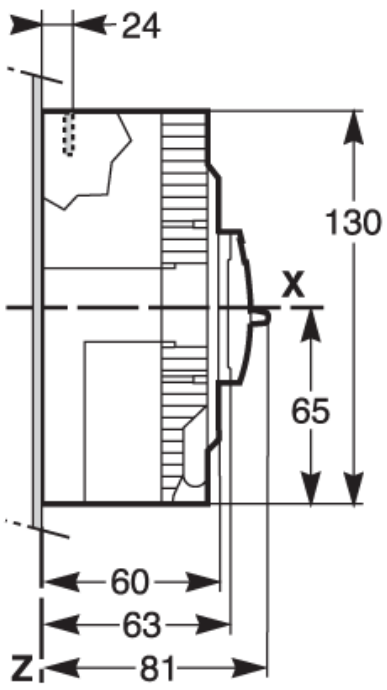
## Contractual warranty

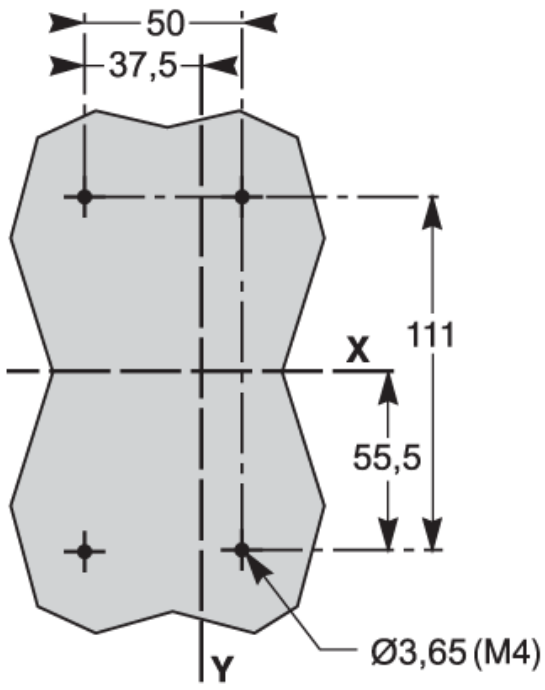
Warranty	18 months
----------	-----------

# Product data sheet

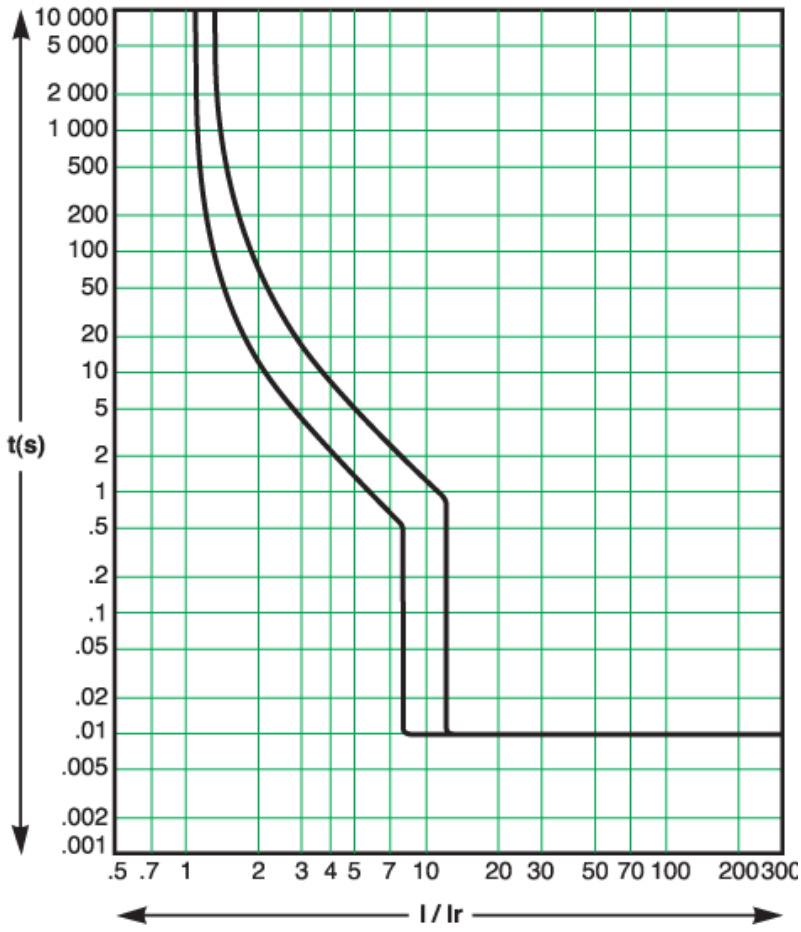
Dimensions Drawings

# LV510958





# 100 A



Recommended replacement(s)