

Product data sheet

Specifications



Harmony XVR, Illuminated beacon with buzzer, orange, Ø100, 70...90 dB, integral LED, 12...24 V DC

XVR3B04S

Main

Range of product	Harmony XVR
Product or component type	Beacon
Device short name	XVR3
Beacon or indicator bank unit type	LED unit
Sound signalling	Buzzer: 70...90 dB at 1 m
Mounting diameter	100 mm
Light source	LED, red
Device application	Forklift Bulldozer Automated guided vehicle (AGV)

Complementary

Signalling type	Rotating Blinking Flashing
Assembly style	Ready assembled
Material	PC (polycarbonate): lenses PBT (polybutylene terephthalate) + PC (polycarbonate): body EPDM (ethylene propylene diene monomer): base
[Us] rated supply voltage	12...24 V DC
[Ue] rated operational voltage	10...30 V DC
Inrush current	3 A
Power consumption in W	3.1 W
Marking	CE
Installation direction	Upright indoor Sideways indoor Inverted indoor Upright outdoor
Electrical insulation class	Class II
Current consumption	3000 mA
Length	100 mm
Width	100 mm
Height	139 mm

Net weight	0.538 kg
------------	----------

Environment

Ambient air temperature for operation	-20...50 °C
Ambient air temperature for storage	-35...70 °C
Relative humidity	35...85 % without condensation
Vibration resistance	4.6 gn (sideways) 4.6 gn (inverted) 7.1 gn (upright)
IP degree of protection	IP23 (sideways) IP23 (inverted) IP23 (upright)

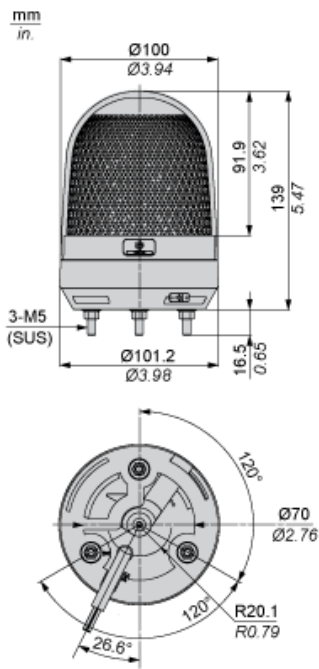
Packing Units

Unit Type of Package 1	PCE
Number of Units in Package 1	1
Package 1 Height	13.5 cm
Package 1 Width	13.85 cm
Package 1 Length	18.5 cm
Package 1 Weight	660 g
Unit Type of Package 2	S04
Number of Units in Package 2	8
Package 2 Height	30 cm
Package 2 Width	40 cm
Package 2 Length	60 cm
Package 2 Weight	6.4 kg
Unit Type of Package 3	P06
Number of Units in Package 3	32
Package 3 Height	71.5 cm
Package 3 Width	68 cm
Package 3 Length	80 cm
Package 3 Weight	29.8 kg

Offer Sustainability

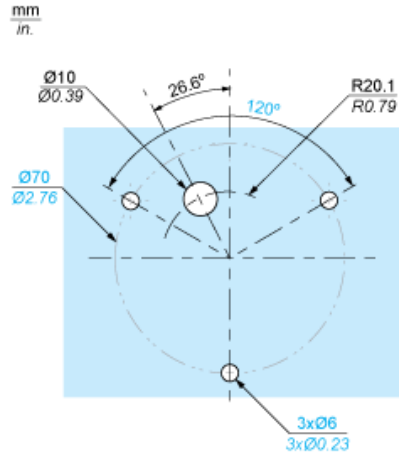
Sustainable offer status	Green Premium product
REACH Regulation	REACH Declaration
EU RoHS Directive	Pro-active compliance (Product out of EU RoHS legal scope) EU RoHS Declaration
Toxic heavy metal free	Yes
Mercury free	Yes
China RoHS Regulation	China RoHS declaration
RoHS exemption information	Yes
Environmental Disclosure	Product Environmental Profile
Circularity Profile	End of Life Information

Dimensions

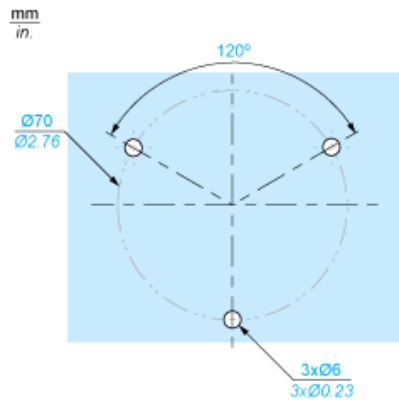


Panel Cut-out

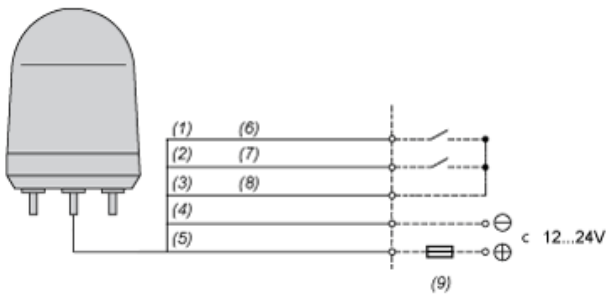
Straight wiring



Side wiring



Wiring Diagram



- (1) Green
- (2) Red
- (3) Yellow
- (4) Black
- (5) White
- (6) LED
- (7) Buzzer
- (8) Com
- (9) Fuse(Rated Current>2A)

Recommended replacement(s)