

C-SCF 1/2,8X0,8 - Connector

3240153

<https://www.phoenixcontact.com/in/products/3240153>

Please be informed that the data shown in this PDF document is generated from our Online Catalog. Please find the complete data in the user documentation. Our General Terms of Use for Downloads are valid.



Slip-on sleeve, non-insulated, 0.5 ... 1 mm², 2.8 x 0.8

Commercial Data

Item number	3240153
Packing unit	100 pc
Minimum order quantity	100 pc
Sales Key	BH3
Product Key	BH3452
Catalog Page	Page 498 (C-3-2019)
GTIN	4046356453707
Weight per Piece (including packing)	0.268 g
Weight per Piece (excluding packing)	0.26 g
Customs tariff number	85366990
Country of origin	DE

C-SCF 1/2,8X0,8 - Connector

3240153

<https://www.phoenixcontact.com/in/products/3240153>

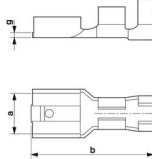


Technical Data

Product properties

Product type	Connector
--------------	-----------

Dimensions

Dimensional drawing	
Width	2.8 mm
Length	12.5 mm
Maximum stripping length	7 mm
Min. material thickness	0.3 mm

Material specifications

Color	silver
Material	Brass
Coating	tin-plated
Insulating material	nicht zutreffend
Components	halogen-free

Environmental and real-life conditions

Ambient conditions

Ambient temperature (operation)	110 °C
---------------------------------	--------

C-SCF 1/2,8X0,8 - Connector

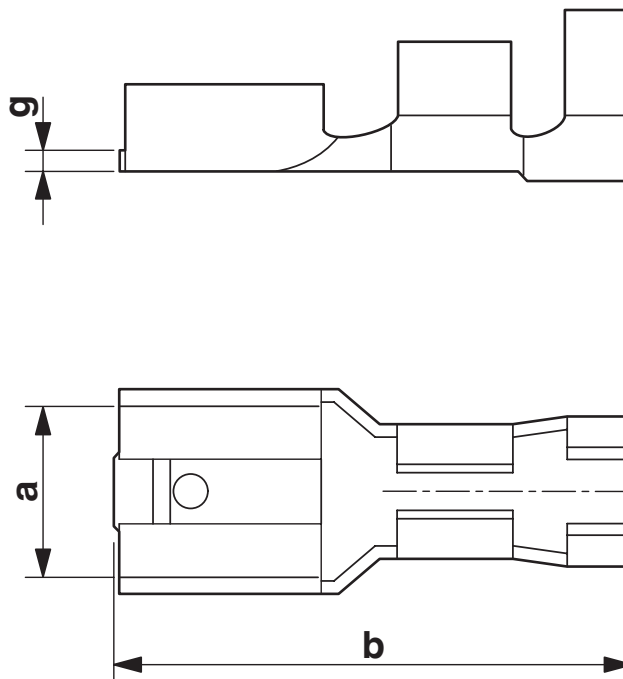
3240153

<https://www.phoenixcontact.com/in/products/3240153>



Drawings

Dimensional drawing



C-SCF 1/2,8X0,8 - Connector

3240153

<https://www.phoenixcontact.com/in/products/3240153>



Classifications

ECLASS

ECLASS-11.0	27400212
ECLASS-12.0	Verbinder
ECLASS-12.0	Verbinder
ECLASS-12.0	Verbinder

ETIM

ETIM 8.0	EC001059
----------	----------

UNSPSC

UNSPSC 21.0	27121700
-------------	----------

C-SCF 1/2,8X0,8 - Connector

3240153

<https://www.phoenixcontact.com/in/products/3240153>



Environmental Product Compliance

China RoHS	Environmentally friendly use period: unlimited = EFUP-e
	No hazardous substances above threshold values

C-SCF 1/2,8X0,8 - Connector

3240153

<https://www.phoenixcontact.com/in/products/3240153>



Accessories

CRIMPFOX-SC 1,5 - Crimping pliers

1212048

<https://www.phoenixcontact.com/in/products/1212048>



Crimping pliers, for non-insulated slip-on sleeves 2.8 and 4.8 mm, 0.1 - 1.5 mm², B crimp

CRIMPFOX-SC 1,5-M - Crimping pliers

1212725

<https://www.phoenixcontact.com/in/products/1212725>



Crimping pliers, for non-insulated slip-on sleeves 2.8 and 4.8 mm, 0.1 - 1.5 mm², B crimp

C-SCF 1/2,8X0,8 - Connector

3240153

<https://www.phoenixcontact.com/in/products/3240153>



CRIMPFOX-SC 6 - Crimping pliers

1212050

<https://www.phoenixcontact.com/in/products/1212050>



Crimping pliers, for uninsulated slip-on sleeves 2.8, 4.8, and 6.3 mm, 0.5 - 6 mm², B crimp

PT/FS 2,8 - Insulating sleeve

1406700

<https://www.phoenixcontact.com/in/products/1406700>



Insulating sleeve, as touch protection, slide onto the conductor before for 2.8 slip-on sleeves

Phoenix Contact 2023 © - all rights reserved

<https://www.phoenixcontact.com>

PHOENIX CONTACT (I) Pvt. Ltd.

A-58/2, Okhla Industrial Area, Phase - II, New Delhi-110 020

+91.1275.71420

info@phoenixcontact.co.in