

VS-09-ST-DSUB-CD-B - D-SUB contact support



1688858

<https://www.phoenixcontact.com/in/products/1688858>

Please be informed that the data shown in this PDF document is generated from our Online Catalog. Please find the complete data in the user documentation. Our General Terms of Use for Downloads are valid.

D-SUB contact carrier, shell size 1, for nine signal contacts, type of contact pin, for crimp contacts, straight, fixing with 3 mm hole, for panel mounting frame and sleeve housing VS-09-...



Your advantages

- D-SUB 9 connection
- Compatible with IP67 sleeve housing and panel-mount frame
- Easy assembly

Commercial Data

Item number	1688858
Packing unit	10 pc
Minimum order quantity	10 pc
Sales Key	ABN
Product Key	ABNCAA
Catalog Page	Page 212 (C-2-2013)
GTIN	4017918822989
Weight per Piece (including packing)	9.74 g
Weight per Piece (excluding packing)	9.74 g
Customs tariff number	85366990
Country of origin	DE

VS-09-ST-DSUB-CD-B - D-SUB contact support



1688858

<https://www.phoenixcontact.com/in/products/1688858>

Technical Data

Notes

General	Test voltage only in combination with crimp contact, Item No.: 1418786.
---------	---

Product properties

Type	D-SUB
Product type	Male insert
Number of positions	9
Connection profile	D-SUB 9
Type	Male
Shielded	no

Insulation characteristics

Overvoltage category	III
Degree of pollution	2

Electrical properties

Rated voltage in acc. with IEC 61076-2-101	400 V
Rated voltage (III/3)	125 V
Rated surge voltage	1 kV
Rated current	5 A (at 20 °C)
Test voltage	1500 V
Transmission medium	Copper

Dimensions

Dimensional drawing	
Width	18 mm
Height	12.93 mm
Length	31.2 mm

Material specifications

Flammability rating according to UL 94	V0
Contact material	Copper alloy
Contact carrier material	Glass-fiber reinforced thermoplastics, UL 94 V0
Housing material	Steel, tin-plated

Mechanical properties

VS-09-ST-DSUB-CD-B - D-SUB contact support



1688858

<https://www.phoenixcontact.com/in/products/1688858>

Mechanical data

Insertion/withdrawal cycles	≥ 500
Insertion force per signal contact	$\leq 3.40 \text{ N}$

Environmental and real-life conditions

Ambient conditions

Ambient temperature (operation)	$-55 \text{ °C} \dots 130 \text{ °C}$
---------------------------------	---------------------------------------

Mounting

Mounting type	Hole
---------------	------

VS-09-ST-DSUB-CD-B - D-SUB contact support

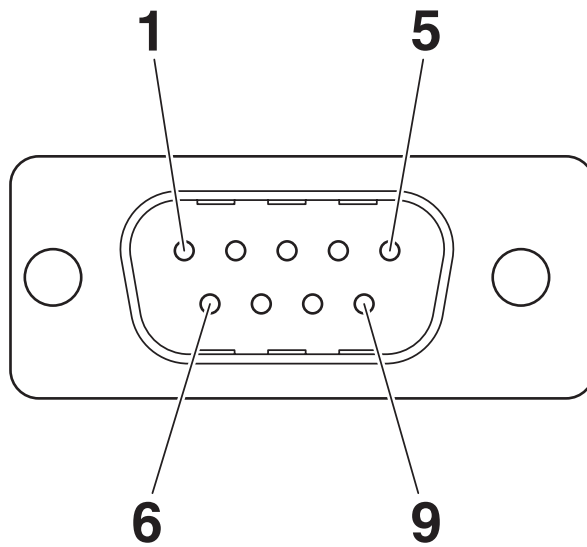


1688858

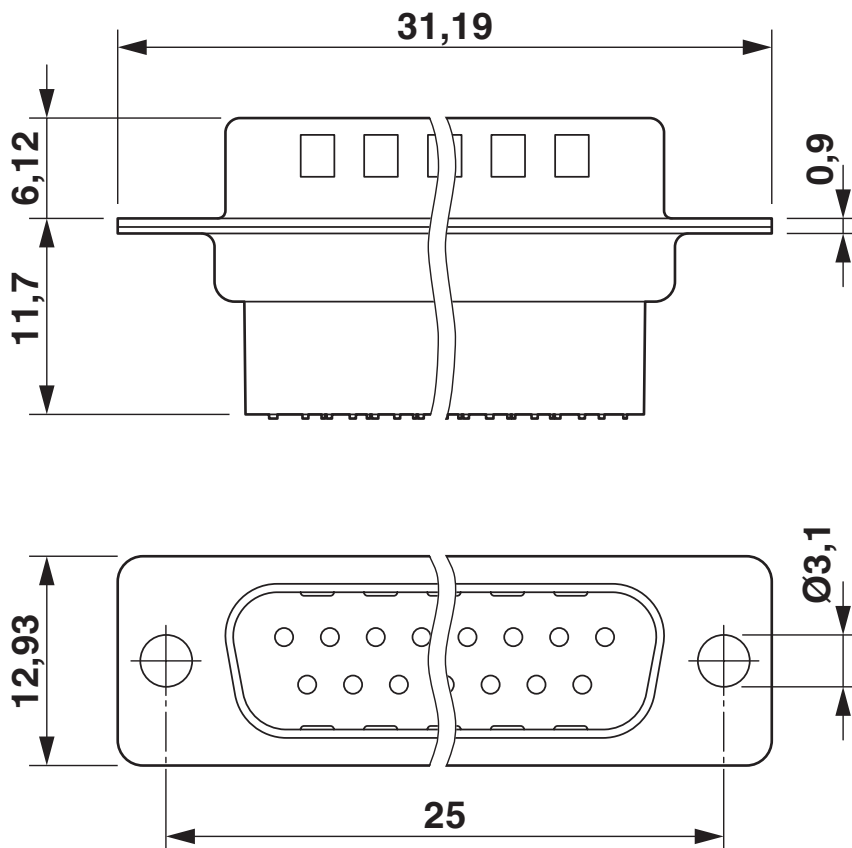
<https://www.phoenixcontact.com/in/products/1688858>

Drawings

Schematic diagram



Dimensional drawing



D-SUB contact carrier

VS-09-ST-DSUB-CD-B - D-SUB contact support



1688858

<https://www.phoenixcontact.com/in/products/1688858>

Approvals



UL Recognized

Approval ID: FILE E 118976



EAC

Approval ID: B.01687

VS-09-ST-DSUB-CD-B - D-SUB contact support



1688858

<https://www.phoenixcontact.com/in/products/1688858>

Classifications

ECLASS

ECLASS-11.0	27440223
ECLASS-12.0	27440223
ECLASS-13.0	27440223

ETIM

ETIM 8.0	EC003557
----------	----------

UNSPSC

UNSPSC 21.0	39121400
-------------	----------

VS-09-ST-DSUB-CD-B - D-SUB contact support



1688858

<https://www.phoenixcontact.com/in/products/1688858>

Environmental Product Compliance

China RoHS	Environmentally friendly use period: unlimited = EFUP-e
	No hazardous substances above threshold values

VS-09-ST-DSUB-CD-B - D-SUB contact support



1688858

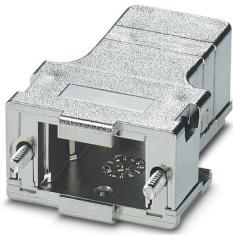
<https://www.phoenixcontact.com/in/products/1688858>

Accessories

CUC-DST-GPME-S/DSSC9 - D-SUB sleeve housings

1419705

<https://www.phoenixcontact.com/in/products/1419705>



D-SUB sleeve housings, degree of protection: IP20, material: ABS, metal-plated, cable outlet: straight, housing size: 1, color: Bare metallic

CUC-DST-GPME-A/DSSC9 - D-SUB sleeve housings

1419706

<https://www.phoenixcontact.com/in/products/1419706>



D-SUB sleeve housings, degree of protection: IP20, material: ABS, metal-plated, cable outlet: angled, housing size: 1, color: Bare metallic

VS-09-ST-DSUB-CD-B - D-SUB contact support



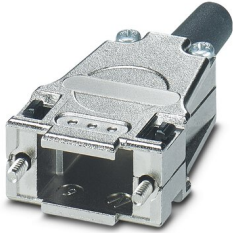
1688858

<https://www.phoenixcontact.com/in/products/1688858>

CUC-DST-GZNI-S/DSSC9 - D-SUB sleeve housings

1419722

<https://www.phoenixcontact.com/in/products/1419722>

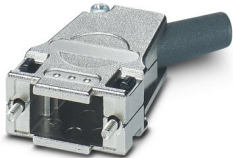


D-SUB sleeve housings, degree of protection: IP20, material: Zinc die-cast, cable outlet: straight, housing size: 1, color: Bare metallic

CUC-DST-GZNI-A/DSSC9 - D-SUB sleeve housings

1419723

<https://www.phoenixcontact.com/in/products/1419723>



D-SUB sleeve housings, degree of protection: IP20, material: Zinc die-cast, cable outlet: angled, housing size: 1, color: Bare metallic

VS-09-ST-DSUB-CD-B - D-SUB contact support

1688858

<https://www.phoenixcontact.com/in/products/1688858>



VS-09-T-2M16 - D-SUB sleeve housings

1688353

<https://www.phoenixcontact.com/in/products/1688353>



D-SUB sleeve housings, degree of protection: IP67, material: PA, cable outlet: angled, housing size: 1, color: gray

VS-09-A - Panel mounting frames

1688366

<https://www.phoenixcontact.com/in/products/1688366>



D-SUB panel mounting frame, shell size 1, IP67 degree of protection

VS-09-ST-DSUB-CD-B - D-SUB contact support



1688858

<https://www.phoenixcontact.com/in/products/1688858>

CUC-SCHRAUBE-5,5:360 - Screw

1421711

<https://www.phoenixcontact.com/in/products/1421711>

Screw, design: Hexagonal, color: Bare metallic



CUC-DSC-C1BAU-S/DSC24 - D-SUB crimp contact

1418786

<https://www.phoenixcontact.com/in/products/1418786>

D-SUB crimp contact, connection method: Crimp connection, connection cross section: AWG 24- 20



VS-09-ST-DSUB-CD-B - D-SUB contact support

1688858

<https://www.phoenixcontact.com/in/products/1688858>



CUC-DSC-C1BAU-S/DSC28 - D-SUB crimp contact

1418784

<https://www.phoenixcontact.com/in/products/1418784>



D-SUB crimp contact, connection method: Crimp connection, connection cross section: AWG 28- 26

VS-09-BU-DSUB-CD-B - D-SUB contact support

1688861

<https://www.phoenixcontact.com/in/products/1688861>



D-SUB contact carrier, shell size 1, for nine signal contacts, type of contact socket, for crimp contacts, straight, fixing with a 3 mm hole, for panel mounting frame and sleeve housing VS-09-...

Phoenix Contact 2023 © - all rights reserved
<https://www.phoenixcontact.com>

PHOENIX CONTACT (I) Pvt. Ltd.
A-58/2, Okhla Industrial Area, Phase - II, New Delhi-110 020

+91.1275.71420
info@phoenixcontact.co.in