

CUC-DSC-C1BAU-S/DSC22 - D-SUB crimp contact



1418789

<https://www.phoenixcontact.com/in/products/1418789>

Please be informed that the data shown in this PDF document is generated from our Online Catalog. Please find the complete data in the user documentation. Our General Terms of Use for Downloads are valid.



D-SUB crimp contact, connection method: Crimp connection, connection cross section: AWG 28-22, High Density

Product Description

High-density contact for D-SUB contact inserts

Your advantages

- High grade

Commercial Data

Item number	1418789
Packing unit	100 pc
Minimum order quantity	100 pc
Sales Key	ABN
Product Key	ABNCAC
Catalog Page	Page 446 (C-2-2019)
GTIN	4055626150765
Weight per Piece (including packing)	0.1 g
Weight per Piece (excluding packing)	0.09 g
Customs tariff number	85366990
Country of origin	CH

CUC-DSC-C1BAU-S/DSC22 - D-SUB crimp contact



1418789

<https://www.phoenixcontact.com/in/products/1418789>

Technical Data

Product properties

Product type	Crimp contact
Type	Individual male contact
Contact type	turned

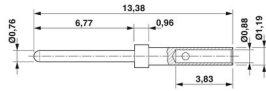
Electrical properties

Maximum load current	3 A
Rated surge voltage	1 kV
	1 kV
Rated current	3 A

Connection data

Maximum load current	3 A
----------------------	-----

Dimensions

Dimensional drawing	
Width	1.2 mm
Height	1.2 mm
Length	13.38 mm

Mechanical characteristics

Contact diameter	0.76 mm
------------------	---------

Material specifications

Material	Metal
Contact material	Copper alloy
Contact surface material	0.2 µm, gold over nickel

Mechanical properties

Mechanical data

Insertion/withdrawal cycles	≥ 200
-----------------------------	-------

Environmental and real-life conditions

Ambient conditions

Ambient temperature (operation)	-55 °C ... 115 °C
---------------------------------	-------------------

Mounting

CUC-DSC-C1BAU-S/DSC22 - D-SUB crimp contact



1418789

<https://www.phoenixcontact.com/in/products/1418789>

Mounting type	Crimp connection
---------------	------------------

CUC-DSC-C1BAU-S/DSC22 - D-SUB crimp contact

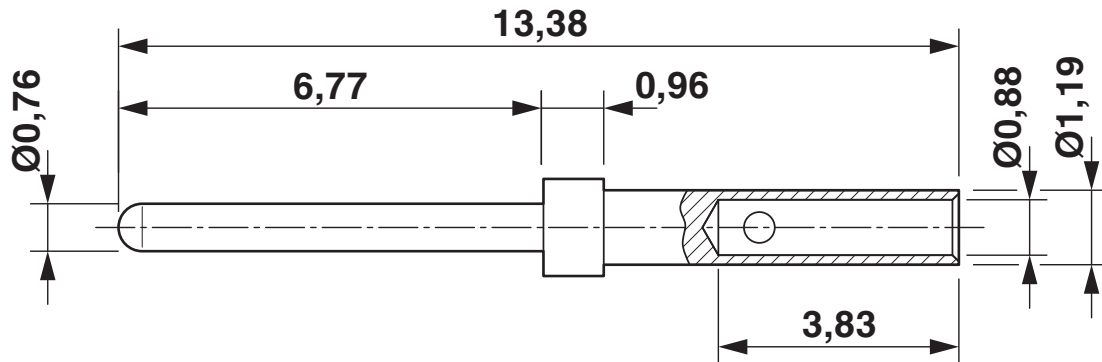


1418789

<https://www.phoenixcontact.com/in/products/1418789>

Drawings

Dimensional drawing



D-SUB crimp contact pin

CUC-DSC-C1BAU-S/DSC22 - D-SUB crimp contact



1418789

<https://www.phoenixcontact.com/in/products/1418789>

Approvals



EAC

Approval ID: B.01687

CUC-DSC-C1BAU-S/DSC22 - D-SUB crimp contact



1418789

<https://www.phoenixcontact.com/in/products/1418789>

Classifications

ECLASS

ECLASS-11.0	27440204
ECLASS-12.0	27440204
ECLASS-13.0	27440204

ETIM

ETIM 8.0	EC000796
----------	----------

UNSPSC

UNSPSC 21.0	39121500
-------------	----------

CUC-DSC-C1BAU-S/DSC22 - D-SUB crimp contact



1418789

<https://www.phoenixcontact.com/in/products/1418789>

Environmental Product Compliance

REACH SVHC	Lead 7439-92-1
China RoHS	Environmentally Friendly Use Period = 50 years
	For information on hazardous substances, refer to the manufacturer's declaration available under "Downloads"

CUC-DSC-C1BAU-S/DSC22 - D-SUB crimp contact



1418789

<https://www.phoenixcontact.com/in/products/1418789>

Accessories

CRIMPFOX-TC MP - Crimping pliers with digital display

1212510

<https://www.phoenixcontact.com/in/products/1212510>



Crimping pliers, for turned contacts, universal cross section setting, up to a maximum of 2.5 mm², digital display with 0.01 mm increments, pressure lock can be unlocked, including positioning tool

VS-09-ST-DSUB-HD-CD-B - D-SUB contact support

1655137

<https://www.phoenixcontact.com/in/products/1655137>



D-SUB contact carrier, shell size 1, for 15 signal contacts, type of contact pin, for crimp contacts, straight, fixing with a 3 mm hole, for panel mounting frame and sleeve housing VS-09-...

CUC-DSC-C1BAU-S/DSC22 - D-SUB crimp contact

1418789

<https://www.phoenixcontact.com/in/products/1418789>



VS-15-ST-DSUB-HD-CD-B - D-SUB contact support

1655195

<https://www.phoenixcontact.com/in/products/1655195>

D-SUB contact carrier, shell size 2, for 26 signal contacts, type of contact pin, for crimp contacts, straight, fixing with a 3 mm hole, for panel mounting frame and sleeve housing VS-15-...



VS-25-ST-DSUB-HD-CD-B - D-SUB contact support

1655250

<https://www.phoenixcontact.com/in/products/1655250>

D-SUB contact carrier, shell size 3, for 44 signal contacts, type of contact pin, for crimp contacts, straight, fixing with a 3 mm hole, for panel mounting frame and sleeve housing VS-25-...



CUC-DSC-C1BAU-S/DSC22 - D-SUB crimp contact

1418789

<https://www.phoenixcontact.com/in/products/1418789>



VS-IET-DSUB-SIGNAL-HD - Tool

1658503

<https://www.phoenixcontact.com/in/products/1658503>



Insertion/extraction tool, to insert and extract the D-SUB high density signal contacts

Phoenix Contact 2023 © - all rights reserved

<https://www.phoenixcontact.com>

PHOENIX CONTACT (I) Pvt. Ltd.

A-58/2, Okhla Industrial Area, Phase - II, New Delhi-110 020

+91.1275.71420

info@phoenixcontact.co.in