

VS-15-BU-DSUB-CD-OG - D-SUB contact support



1688942

<https://www.phoenixcontact.com/in/products/1688942>

Please be informed that the data shown in this PDF document is generated from our Online Catalog. Please find the complete data in the user documentation. Our General Terms of Use for Downloads are valid.

D-SUB contact carrier, shell size 2, for 15 signal contacts, type of contact socket, for crimp contacts, straight, fixing with a 3 mm hole, for panel mounting frame and sleeve housing VS-15-..



Your advantages

- D-SUB 15 connection
- Compatible with IP67 sleeve housing and panel-mount frame
- Easy assembly

Commercial Data

Item number	1688942
Packing unit	10 pc
Minimum order quantity	10 pc
Sales Key	ABN
Product Key	ABNCAB
Catalog Page	Page 212 (C-2-2013)
GTIN	4017918823092
Weight per Piece (including packing)	12.33 g
Weight per Piece (excluding packing)	12.33 g
Customs tariff number	85366990
Country of origin	DE

1688942

<https://www.phoenixcontact.com/in/products/1688942>

Technical Data

Product properties

Type	D-SUB
Product type	Female insert
Number of positions	15
Connection profile	D-SUB
Number of slots	1
Type	Socket
Shielded	yes

Insulation characteristics

Overvoltage category	III
Degree of pollution	2

Electrical properties

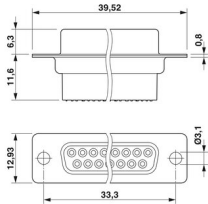
Rated voltage in acc. with IEC 61076-2-101	400 V
Rated voltage (III/3)	125 V
Rated surge voltage	1 kV
Rated current	5 A (at 20 °C)
Test voltage	1200 V
Transmission medium	Copper

Connection data

Connection technology

Connection method	Crimp connection
-------------------	------------------

Dimensions

Dimensional drawing	
Width	18.1 mm
Height	12.93 mm
Length	39.52 mm

Material specifications

Flammability rating according to UL 94	V0
Housing surface material	metal-plated
Contact surface material	Gold
Contact carrier material	Glass-fiber reinforced thermoplastics, UL 94 V0

VS-15-BU-DSUB-CD-OG - D-SUB contact support



1688942

<https://www.phoenixcontact.com/in/products/1688942>

Housing material	Metal
------------------	-------

Mechanical properties

Mechanical data

Insertion/withdrawal cycles	≥ 500
Insertion force per signal contact	$\leq 3.40 \text{ N}$

Environmental and real-life conditions

Ambient conditions

Degree of protection	IP20
Ambient temperature (operation)	$-55 \text{ °C} \dots 130 \text{ °C}$

Mounting

Mounting type	Screw mounting
---------------	----------------

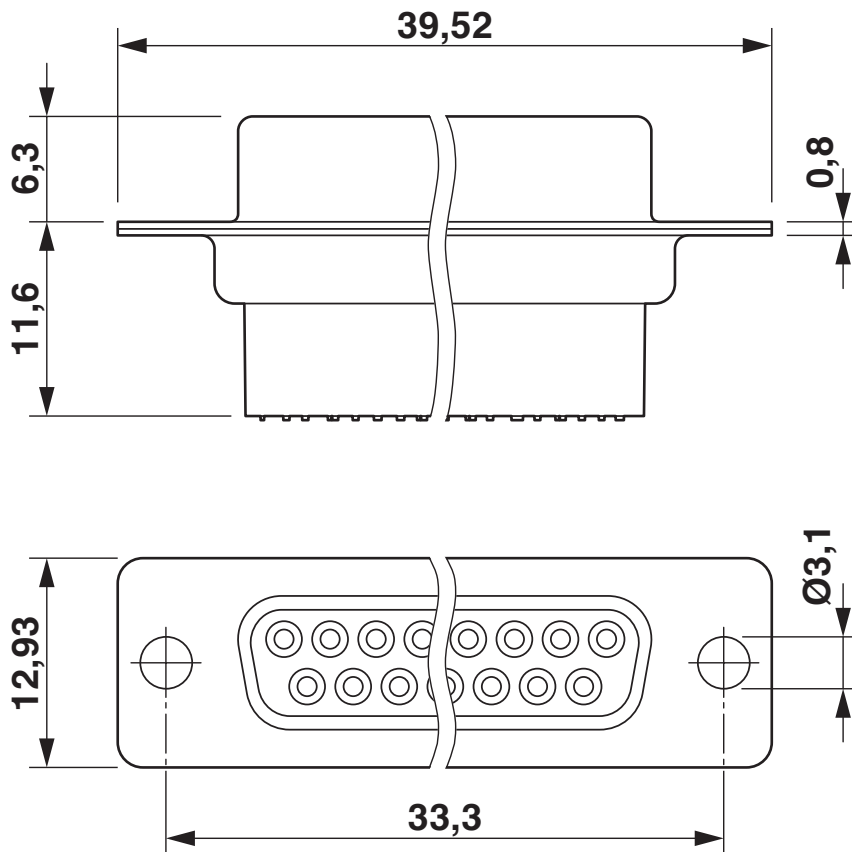
VS-15-BU-DSUB-CD-OG - D-SUB contact support

1688942

<https://www.phoenixcontact.com/in/products/1688942>

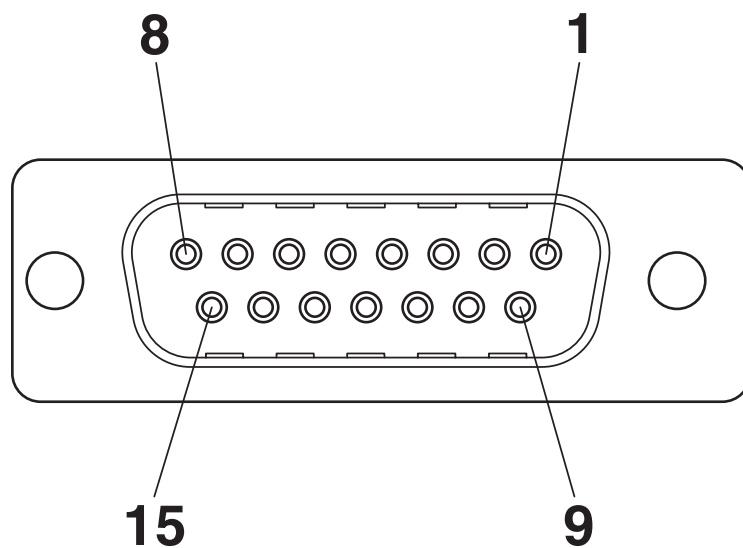
Drawings

Dimensional drawing



D-SUB contact carrier

Schematic diagram



VS-15-BU-DSUB-CD-OG - D-SUB contact support



1688942

<https://www.phoenixcontact.com/in/products/1688942>

Approvals



UL Recognized

Approval ID: FILE E 118976



EAC

Approval ID: B.01687

1688942

<https://www.phoenixcontact.com/in/products/1688942>

Classifications

ECLASS

ECLASS-11.0	27440223
ECLASS-12.0	27440223
ECLASS-13.0	27440223

ETIM

ETIM 8.0	EC003557
----------	----------

UNSPSC

UNSPSC 21.0	39121400
-------------	----------

1688942

<https://www.phoenixcontact.com/in/products/1688942>

Environmental Product Compliance

China RoHS	Environmentally friendly use period: unlimited = EFUP-e No hazardous substances above threshold values
------------	---

VS-15-BU-DSUB-CD-OG - D-SUB contact support



1688942

<https://www.phoenixcontact.com/in/products/1688942>

Accessories

CUC-DSC-J1BAU-S/DSC24 - D-SUB crimp contact

1418788

<https://www.phoenixcontact.com/in/products/1418788>



D-SUB crimp contact, connection method: Crimp connection, connection cross section: AWG 24- 20

CUC-DSC-J1BAU-S/DSC28 - D-SUB crimp contact

1418787

<https://www.phoenixcontact.com/in/products/1418787>



D-SUB crimp contact, connection method: Crimp connection, connection cross section: AWG 28- 26

VS-15-BU-DSUB-CD-OG - D-SUB contact support



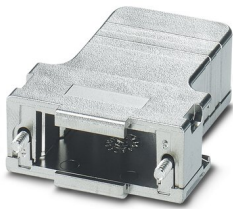
1688942

<https://www.phoenixcontact.com/in/products/1688942>

CUC-DST-GPME-S/DSSC15 - D-SUB sleeve housings

1419710

<https://www.phoenixcontact.com/in/products/1419710>

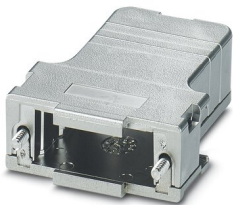


D-SUB sleeve housings, degree of protection: IP20, material: ABS, metal-plated, cable outlet: straight, housing size: 2, color: Bare metallic

CUC-DST-GPME-A/DSSC15 - D-SUB sleeve housings

1419718

<https://www.phoenixcontact.com/in/products/1419718>



D-SUB sleeve housings, degree of protection: IP20, material: ABS, metal-plated, cable outlet: angled, housing size: 2, color: Bare metallic

VS-15-BU-DSUB-CD-OG - D-SUB contact support



1688942

<https://www.phoenixcontact.com/in/products/1688942>

CUC-DST-GZNI-S/DSSC15 - D-SUB sleeve housings

1419724

<https://www.phoenixcontact.com/in/products/1419724>



D-SUB sleeve housings, degree of protection: IP20, material: Zinc die-cast, cable outlet: straight, housing size: 2, color: Bare metallic

CUC-DST-GZNI-A/DSSC15 - D-SUB sleeve housings

1419725

<https://www.phoenixcontact.com/in/products/1419725>



D-SUB sleeve housings, degree of protection: IP20, material: Zinc die-cast, cable outlet: angled, housing size: 2, color: Bare metallic

VS-15-BU-DSUB-CD-OG - D-SUB contact support



1688942

<https://www.phoenixcontact.com/in/products/1688942>

VS-15-A - Panel mounting frames

1688036

<https://www.phoenixcontact.com/in/products/1688036>

D-SUB panel mounting frame, shell size 2, IP67 degree of protection



VS-15-T-2PG11 - D-SUB sleeve housings

1688052

<https://www.phoenixcontact.com/in/products/1688052>

D-SUB sleeve housing, shell size 2, IP67 degree of protection



VS-15-BU-DSUB-CD-OG - D-SUB contact support

1688942

<https://www.phoenixcontact.com/in/products/1688942>



CUC-SCHRAUBE-5,5:360 - Screw

1421711

<https://www.phoenixcontact.com/in/products/1421711>

Screw, design: Hexagonal, color: Bare metallic



VS-15-ST-DSUB-CD-OG - D-SUB contact support

1688939

<https://www.phoenixcontact.com/in/products/1688939>

D-SUB contact carrier, shell size 2, for 15 signal contacts, type of contact pin, for crimp contacts, straight, fixing with a 3 mm hole, for panel mounting frame and sleeve housing VS-15-...



Phoenix Contact 2023 © - all rights reserved
<https://www.phoenixcontact.com>

PHOENIX CONTACT (I) Pvt. Ltd.
A-58/2, Okhla Industrial Area, Phase - II, New Delhi-110 020

+91.1275.71420
info@phoenixcontact.co.in