

CUC-DSC-J1BAU-S/DSC24 - D-SUB crimp contact



1418788

<https://www.phoenixcontact.com/in/products/1418788>

Please be informed that the data shown in this PDF document is generated from our Online Catalog. Please find the complete data in the user documentation. Our General Terms of Use for Downloads are valid.



D-SUB crimp contact, connection method: Crimp connection, connection cross section: AWG 24-20

Product Description

Standard contact for D-SUB contact inserts

Your advantages

- High grade

Commercial Data

Item number	1418788
Packing unit	100 pc
Minimum order quantity	100 pc
Sales Key	ABN
Product Key	ABNCAC
Catalog Page	Page 446 (C-2-2019)
GTIN	4055626150758
Weight per Piece (including packing)	0.24 g
Weight per Piece (excluding packing)	0.211 g
Customs tariff number	85366990
Country of origin	CH

CUC-DSC-J1BAU-S/DSC24 - D-SUB crimp contact



1418788

<https://www.phoenixcontact.com/in/products/1418788>

Technical Data

Notes

General	Test voltage only in combination with contact insert, Item no.: 1688861.
---------	--

Product properties

Product type	Crimp contact
Type	Individual female contact
Contact type	turned
Series	HC-M-DSUB-C HC-M-08-GBIT HC-M-25 HC-M-EMV

Electrical properties

Maximum load current	5 A
Rated surge voltage	1.2 kV 1.2 kV (1 min.)
Rated current	5 A (at 20 °C)
Test voltage	1500 V

Connection data

Maximum load current	5 A
----------------------	-----

Dimensions

Dimensional drawing	
Width	1.7 mm
Height	1.7 mm
Length	13.7 mm

Mechanical characteristics

Contact diameter	1 mm
------------------	------

Material specifications

Material	Metal
Contact material	Copper alloy
Contact surface material	0.2 µm, gold over nickel

Mechanical properties

CUC-DSC-J1BAU-S/DSC24 - D-SUB crimp contact



1418788

<https://www.phoenixcontact.com/in/products/1418788>

Mechanical data

Insertion/withdrawal cycles	≥ 200
Insertion force per signal contact	$\leq 3.40 \text{ N}$

Environmental and real-life conditions

Ambient conditions

Ambient temperature (operation)	-55 °C ... 130 °C
---------------------------------	-------------------

Standards and regulations

Standards/specifications	DIN 41652
--------------------------	-----------

Mounting

Mounting type	Crimp connection
---------------	------------------

CUC-DSC-J1BAU-S/DSC24 - D-SUB crimp contact

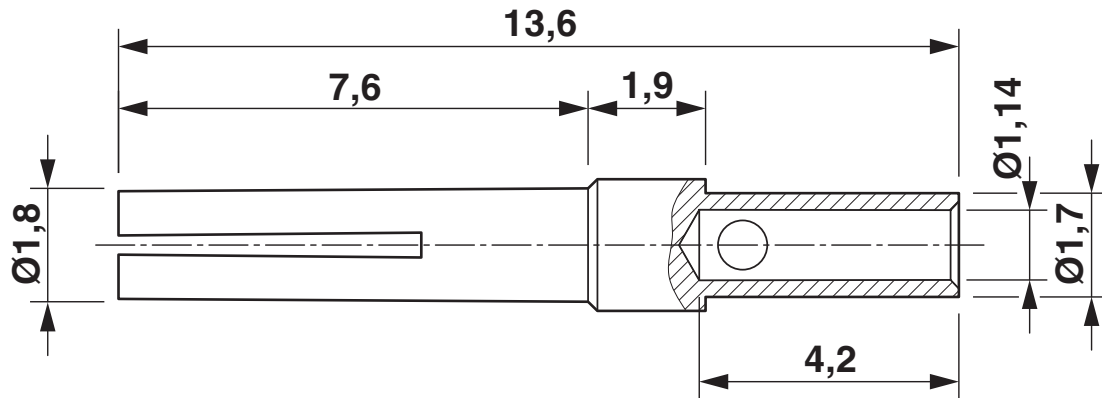


1418788

<https://www.phoenixcontact.com/in/products/1418788>

Drawings

Dimensional drawing



D-SUB crimp contact pin

CUC-DSC-J1BAU-S/DSC24 - D-SUB crimp contact



1418788

<https://www.phoenixcontact.com/in/products/1418788>

Approvals



EAC

Approval ID: B.01687

CUC-DSC-J1BAU-S/DSC24 - D-SUB crimp contact



1418788

<https://www.phoenixcontact.com/in/products/1418788>

Classifications

ECLASS

ECLASS-11.0	27440204
ECLASS-12.0	27440204
ECLASS-13.0	27440204

ETIM

ETIM 8.0	EC000796
----------	----------

UNSPSC

UNSPSC 21.0	39121500
-------------	----------

CUC-DSC-J1BAU-S/DSC24 - D-SUB crimp contact



1418788

<https://www.phoenixcontact.com/in/products/1418788>

Environmental Product Compliance

REACH SVHC	Lead 7439-92-1
China RoHS	Environmentally Friendly Use Period = 50 years
	For information on hazardous substances, refer to the manufacturer's declaration available under "Downloads"

CUC-DSC-J1BAU-S/DSC24 - D-SUB crimp contact

1418788

<https://www.phoenixcontact.com/in/products/1418788>



Accessories

CRIMPFOX-TC MP - Crimping pliers with digital display

1212510

<https://www.phoenixcontact.com/in/products/1212510>



Crimping pliers, for turned contacts, universal cross section setting, up to a maximum of 2.5 mm², digital display with 0.01 mm increments, pressure lock can be unlocked, including positioning tool

VS-09-BU-DSUB-CD-B - D-SUB contact support

1688861

<https://www.phoenixcontact.com/in/products/1688861>



D-SUB contact carrier, shell size 1, for nine signal contacts, type of contact socket, for crimp contacts, straight, fixing with a 3 mm hole, for panel mounting frame and sleeve housing VS-09-...

CUC-DSC-J1BAU-S/DSC24 - D-SUB crimp contact



1418788

<https://www.phoenixcontact.com/in/products/1418788>

VS-15-BU-DSUB-CD-OG - D-SUB contact support

1688942

<https://www.phoenixcontact.com/in/products/1688942>

D-SUB contact carrier, shell size 2, for 15 signal contacts, type of contact socket, for crimp contacts, straight, fixing with a 3 mm hole, for panel mounting frame and sleeve housing VS-15-...



VS-25-BU-DSUB-CD-B - D-SUB contact support

1689967

<https://www.phoenixcontact.com/in/products/1689967>

D-SUB contact carrier, shell size 3, for 25 signal contacts, type of contact socket, for crimp contacts, straight, fixing with a 3 mm hole, for panel mounting frame and sleeve housing VS-25-...



CUC-DSC-J1BAU-S/DSC24 - D-SUB crimp contact

1418788

<https://www.phoenixcontact.com/in/products/1418788>



VS-09-BU-DSUB-CD-G - D-SUB contact support

1688845

<https://www.phoenixcontact.com/in/products/1688845>



D-SUB contact carrier, shell size 1, for nine signal contacts, type of contact socket, for crimp contacts, straight, fixing with M thread, for panel mounting frame VS-09-...

VS-15-BU-DSUB-CD-MG - D-SUB contact support

1688926

<https://www.phoenixcontact.com/in/products/1688926>



D-SUB contact carrier, shell size 2, for 15 signal contacts, type of contact socket, for crimp contacts, straight, fixing with M3 thread, for panel mounting frame VS-15-...

CUC-DSC-J1BAU-S/DSC24 - D-SUB crimp contact

1418788

<https://www.phoenixcontact.com/in/products/1418788>



VS-25-BU-DSUB-CD-G - D-SUB contact support

1689941

<https://www.phoenixcontact.com/in/products/1689941>

D-SUB contact carrier, shell size 3, for 25 signal contacts, type of contact socket, for crimp contacts, straight, fixing with M3 thread, for panel mounting frame VS-25-...



VS-IET-DSUB-SIGNAL-STD - Tool

1658794

<https://www.phoenixcontact.com/in/products/1658794>

Insertion/extraction tool, to insert and extract the D-SUB standard signal contacts



Phoenix Contact 2023 © - all rights reserved
<https://www.phoenixcontact.com>

PHOENIX CONTACT (I) Pvt. Ltd.
A-58/2, Okhla Industrial Area, Phase - II, New Delhi-110 020

+91.1275.71420
info@phoenixcontact.co.in