



FM Silicone Markers High Strength High Temperature



Standards:

- BS 2011 Part 2.1J
- IEC 60684-3-121 to 135
- BS 4G198, Part 1, Type 4
- BS 6746 C
- International RCC Markers
- DEF STAN 59-15, Type D5

Product Overview:

The Sumitag™ FM Silicone Markers are high strength grade, manufactured from OSF silicone. This unique silicone cable marking product offers the greatest resilience and elasticity while retaining those properties over a wide temperature range. While normal operating temperatures can be as high as 250°C FM Cable Markers will remain flexible at temperatures as low as -65°C.

Product Features:

- Zero halogen
- Self extinguishing
- Excellent color fastness
- Outstanding electrical insulation
- Pre-lubricated sleeves available
- Printed to customer requirements
- Available in 12 colors

SUMITOMO ELECTRIC INTERCONNECT PRODUCTS, INC.

915 Armorlite Drive
San Marcos, CA 92069-1440

t: 800.758.3515

f: 800.758.3517

e: customerservice@seipusa.com

w: www.seipusa.com

FM Silicone Markers

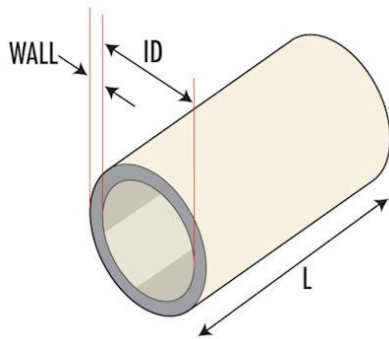
High Strength

High Temperature

Printing:

Custom printed at factory per customer specs.

Characters can be printed in single or multi-lines of any length, from once to multiple times around the sleeve, in horizontal, vertical or Variaxial ®. (Combination of horizontal and vertical formats).



Technical Specifications:

Property	Value
Temperature Range	-65° C to +250° C
Color Fastness	Standard 6 Minimum
Tensile Strength	8.0 MPa Minimum
Elongation at Break	400% Minimum
Chemical Resistance	Occasional
	Contamination Good
Resistance to Mold Growth	BS2011 pt 2.1J
Proof Voltage	8kV per 1mm
	Wall Thickness
Insulation Resistance (Dry)	10,000 Megohms Min.

Product Reference	Nominal Bore ID (MM)	Nominal Wall Thickness (MM)	Color Code
FM05/05	0.5	0.5	BK = Black
FM075/05	0.75	0.5	BN = Brown
FM10/05	1.0	0.5	RD = Red
FM15/05	1.5	0.5	ORN = Orange
FM20/05	2.0	0.5	YW = Yellow
FM25/05	2.5	0.5	GN = Green
FM30/05	3.0	0.5	BE = Blue
FM40/05	4.0	0.5	VT = Violet
FM50/05	5.0	0.5	GY = Grey
FM75/07	7.5	0.7	WE = White
FM100/07	10.0	0.7	PK = Pink