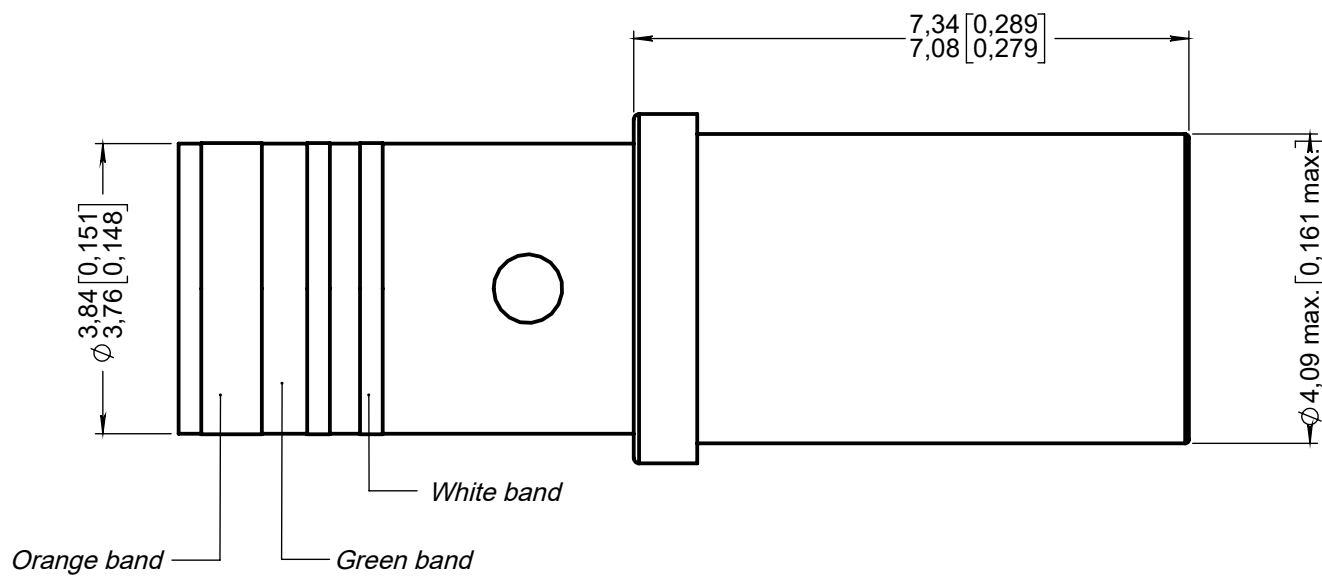


Series  
**38999**

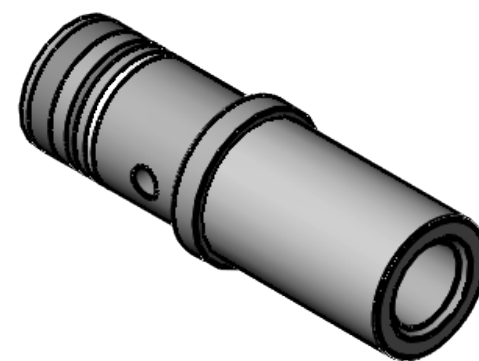
SOCKET CRIMP CONTACT SIZE 12  
Wire barrel size 12  
SAE AS39029/57-359

Issue:  
Oct.11, 2021

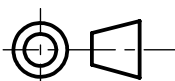
Page  
**1/1**



Contact according to SAE AS39029/57-359 (former MIL-C-39029/57-359) or EN3155-003F1212 or EN3155-003S1212



DIMENSIONS : mm (inch are given for information only)



Estimated weight : 0.80 g

**CREATION**

PEN: 21002650

NOM: SURAULT S.

DATE: Oct.11, 2021

APPR.: BECAVIN P.

Issue	Revisions	Name	Approved

This document contains proprietary information and such information shall not be disclosed to any third party for any purpose whatsoever or used for manufacturing purposes without prior written agreement from RADIALL. This information is given as an indication. In the continual goal to improve our products, we reserve the right to make any modifications judged necessary.

4112\_9311