

# RPI-BC 107,6 DEV-KIT KMGY - Electronic housing



2202874

<https://www.phoenixcontact.com/in/products/2202874>

Please be informed that the data shown in this PDF document is generated from our Online Catalog. Please find the complete data in the user documentation. Our General Terms of Use for Downloads are valid.



DIN rail housing for Raspberry Pi computers (suitable for Raspberry Pi A+, B+, B2, B3, B4); set consisting of lower part, upper part, cover, and PCB retainer; housing according to DIN 43880

## Your advantages

- Tool-free mounting
- Plenty of space for additional circuits on matrix or additional boards
- GPIO strip can be used with PTSM series connection technology
- Easy module-to-module connection, thanks to bus connection via DIN rails

## Commercial Data

Item number	2202874
Packing unit	1 pc
Minimum order quantity	1 pc
Sales Key	ACH
Product Key	ACHBAE
GTIN	4055626257211
Weight per Piece (including packing)	119.4 g
Weight per Piece (excluding packing)	119.4 g
Customs tariff number	85472000
Country of origin	DE

2202874

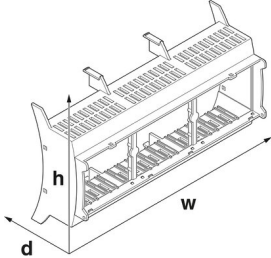
<https://www.phoenixcontact.com/in/products/2202874>

## Technical Data

### Product properties

Product type	Stackable housing set
Type	Housing set
Housing type	DIN rail housing for use in distribution boards in accordance with DIN 43880
Ventilation openings present	yes
Housing series	BC

### Dimensions

Dimensional drawing	
Width	107.6 mm
Height	89.7 mm
Depth	62.2 mm

### Material specifications

Color	light grey (7035)
Flammability rating according to UL 94	V0
Housing material	Polycarbonate

### Environmental and real-life conditions

#### Power dissipation single housing for 20 °C

Ambient temperature	20 °C
Reduction factor	1

#### Power dissipation single housing for 30 °C

Ambient temperature	30 °C
Reduction factor	0.84

#### Power dissipation single housing for 40 °C

Ambient temperature	40 °C
Reduction factor	0.72

#### Power dissipation single housing for 50 °C

Ambient temperature	50 °C
Reduction factor	0.6

2202874

<https://www.phoenixcontact.com/in/products/2202874>

## Power dissipation single housing for 60 °C

Ambient temperature	60 °C
Reduction factor	0.48

## Power dissipation single housing for 70 °C

Ambient temperature	70 °C
Reduction factor	0.38

## Ambient conditions

Max. IP code to attain	IP20
Ambient temperature (operation)	-40 °C ... 105 °C (depending on power dissipation)
Ambient temperature (storage/transport)	-40 °C ... 70 °C
Ambient temperature (assembly)	-5 °C ... 100 °C

## PCB data

Type of PCB mount	Latching
-------------------	----------

## Mounting

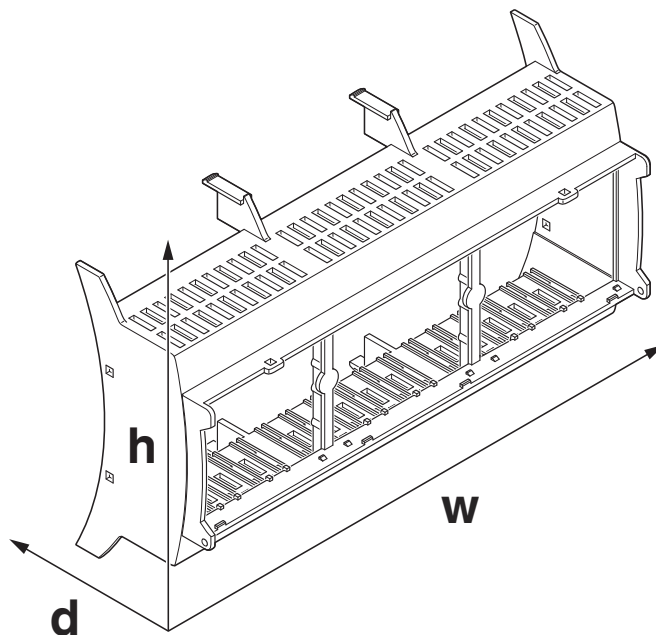
Mounting type	Snap in
---------------	---------

## Packaging specifications

Type of packaging	packed in cardboard
Outer packaging type	Carton

## Drawings

Dimensional drawing



Schematic figure for illustrating the item dimensions. The figure is not of the desired product. For further details, refer to the product drawings in the "Downloads" tab.

2202874

<https://www.phoenixcontact.com/in/products/2202874>

## Approvals



**EAC**

Approval ID: B.01687



**UL Recognized**

Approval ID: FILE E 240868

2202874

<https://www.phoenixcontact.com/in/products/2202874>

## Classifications

### ECLASS

ECLASS-11.0

27182702

### ETIM

ETIM 8.0

EC001031

### UNSPSC

UNSPSC 21.0

31261500

2202874

<https://www.phoenixcontact.com/in/products/2202874>

## Environmental Product Compliance

China RoHS	Environmentally friendly use period: unlimited = EFUP-e
	No hazardous substances above threshold values

# RPI-BC 107,6 DEV-KIT KMGY - Electronic housing



2202874

<https://www.phoenixcontact.com/in/products/2202874>

## Accessories

### RPI-BC A+-ADAPTER ATGY - Adapter

2202906

<https://www.phoenixcontact.com/in/products/2202906>

Optional adapter for RPI-BC housing for using the Raspberry Pi A+

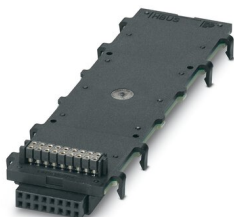


---

### HBUS 107,6-16P-1S BK P1 - DIN rail bus connectors

2202876

<https://www.phoenixcontact.com/in/products/2202876>



DIN rail connector, color: black, nominal current: 3 A (Total current of 25 A max.), rated voltage (III/2): 30 V, number of positions: 16, pitch: 2.54 mm, mounting: DIN rail mounting, locking: without



# RPI-BC 107,6 DEV-KIT KMGY - Electronic housing

2202874

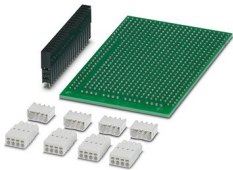
<https://www.phoenixcontact.com/in/products/2202874>

## RPI-BC INT-PCB SET - PCB

2202994

<https://www.phoenixcontact.com/in/products/2202994>

Perfboard with GPIO connection incl. PTSM terminal blocks



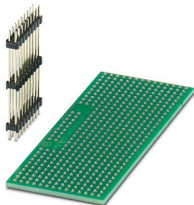
---

## RPI-BC EXT-PCB HBUS SET - PCB

2202995

<https://www.phoenixcontact.com/in/products/2202995>

Perfboard with HBUS connection incl. suitable pin strip



2202874

<https://www.phoenixcontact.com/in/products/2202874>

## PSTD 0,65X0,65/18-3IS-2,54 - Pin strip

2202993

<https://www.phoenixcontact.com/in/products/2202993>



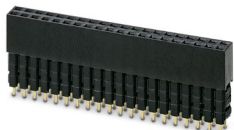
Pin strip for connecting an additional PCB or PCB with hole pattern to the HBUS

---

## PSTD 0,65X0,65/40-2,54 - Socket strip

2202992

<https://www.phoenixcontact.com/in/products/2202992>



Socket strip for connecting an additional PCB or PCB with hole pattern to the GPIOs of the Raspberry Pi computer

# RPI-BC 107,6 DEV-KIT KMGY - Electronic housing

2202874

<https://www.phoenixcontact.com/in/products/2202874>



## STEP3-PS/1AC/5DC/3/PT - Power supply unit

1170954

<https://www.phoenixcontact.com/in/products/1170954>



Primary-switched power supply unit, STEP POWER, Push-in connection, DIN rail or direct mounting, input: 1-phase, output: 5 V DC / 3 A

---

Phoenix Contact 2023 © - all rights reserved

<https://www.phoenixcontact.com>

PHOENIX CONTACT (I) Pvt. Ltd.

A-58/2, Okhla Industrial Area, Phase - II, New Delhi-110 020

+91.1275.71420

[info@phoenixcontact.co.in](mailto:info@phoenixcontact.co.in)