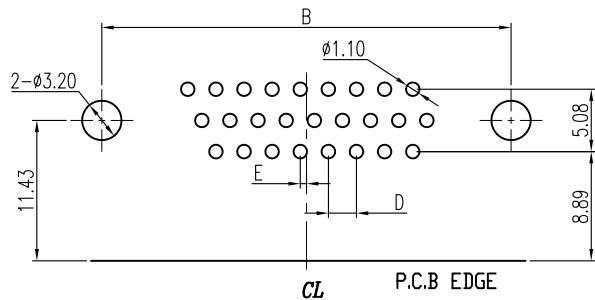
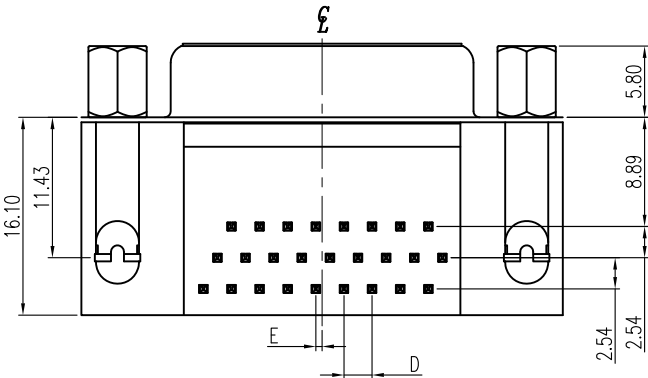
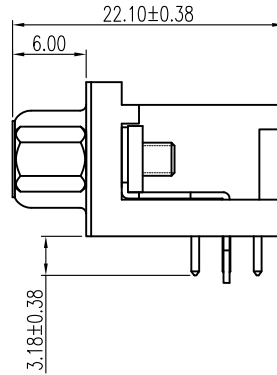
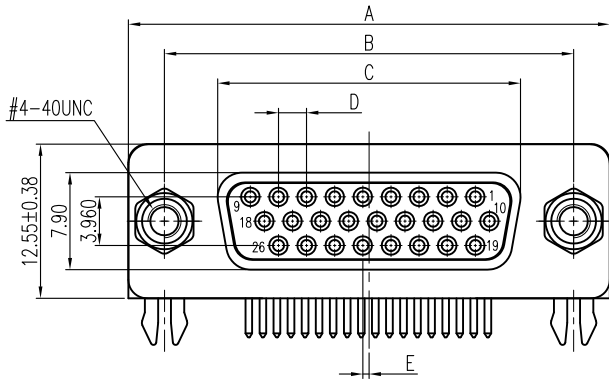


This document is the property of Amphenol Corporation and is delivered on the express condition that it is not to be disclosed, reproduced or used, in whole or in part, for manufacture or sale by anyone other than Amphenol Corporation without its prior consent, & that no right is granted to disclose or to use any information in this document.

# Customer Drawing



RECOMMENDED P.C.B LAYOUT  
TOLERANCE: ±0.05mm

NO.	A ±0.38	B	C	D	E
15S	30.81	24.99	16.33	2.29	0.25
26S	39.19	33.32	24.66	2.29	0.51
44S	53.04	47.04	38.38	2.29	0.51
62S	69.32	63.50	54.84	2.41	0.58



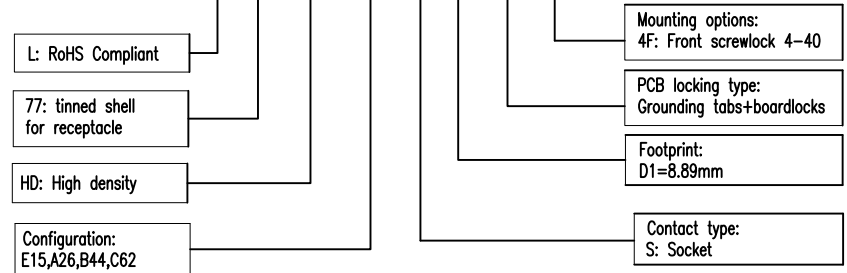
REVISIONS				
SYM	ECN	DESCRIPTION	DATE	APPROVED
1	HK--	First Release Drawing	04/15/13	IP
2	HK--	Update the Drawing	07/05/16	IP

## D-SUB TECHNICAL DATA

SHELL : SPCC, 100u" min tin over 50u" min nickel over 50u" copper  
 BODY : PBT, UL 94V-0, Color:Black.  
 CONTACTS : Copper Alloy  
 Gold Flash over 50u" nickel on mating area  
 100u" tin over 50u" nickel on solder area  
 RIVET : Copper Alloy, Nickel plated  
 BOARDLOCK: Copper Alloy, Tin plated  
 SCREWLOCK: Copper Alloy, Nickel plated  
 ELECTRICAL : Voltage Rating 250 V Rms Max  
 Current Rating 3A  
 Withstanding Voltage >1000 V Rms  
 Insulation Resistance >1000 M Ohms  
 Contact Resistance 25 mOhms max.  
 MARKING : Amphenol...(Series No.)  
 Commercial reference  
 Manufacturing date

## PRODUCT CODE

L 77 HD XXX S D1 CH 4F



UNLESS OTHERWISE SPECIFIED TOLERANCES		APPROVAL		DATE				
U.S.	METRIC	DRAWN	FILED					
.X +/-	0.50			07/05/16				
.XX +/-	0.30	CHECKED	Tony Tang	07/05/16				
.XXX +/-	0.20	CHECKED						
FRACTIONS +/-	5'	DRAWING FILE :						
ANGLES +/-		ANGLE OF PROJECTION						
REMOVE SHARP EDGES								
DIMENSIONS		<table border="1"> <tr> <td>U.S.</td> <td>INCHES</td> </tr> <tr> <td>METRIC</td> <td>MM</td> </tr> </table>			U.S.	INCHES	METRIC	MM
U.S.	INCHES							
METRIC	MM							

Amphenol		
TITLE		
D-SUB connector, HD Series		
SIZE	DRAWING NO.	REV.
A4	L77HDXXXSD1CH4F	2
SCALE	NONE	SHEET 1 OF 1