

Product data sheet

Specifications



Flat screen, Harmony GTU, 19 W Touch Smart Display FWXGA

HMIDT952

Main

Range of product	Harmony GTU
Product or component type	Flat screen
Terminal type	Touchscreen display
[Us] rated supply voltage	12...24 V DC power supply
Supply voltage limits	10.8...28.8 V
Power consumption in W	19 W
Inrush current	30 A

Complementary

Integrated connection type	USB 2.0 type A USB 2.0 type mini B
Touchscreen resolution	2048 x 2048
Pixel resolution	1366 x 768
Display size	18.5 inch
Aspect ratio	4:3
Display type	Colour TFT LCD
Display resolution	1366 x 768 pixels FWXGA
Display colour	16 million colours
Backlight lifespan	50000 hours
Touch panel	Multi-touch projected capacitive technology (PCT) 50000000 cycles
Function available	Brightness sensor
Type of cooling	Natural convection
Type of installation	Indoor installation
Cut-out dimensions	465 (+ 1/- 0) x 319 (+ 1/- 0) mm
Width	483 mm
Height	337 mm
Depth	69 mm
Net weight	6.8 kg

Environment

IP degree of protection	Front panel: IP66 Front panel: IP67
NEMA degree of protection	NEMA 4X front panel
Standards	UL 508 ANSI/ISA 12-12-01 Class I division 2 CSA C22.2 No 213 CSA C22.2 No 142 IEC 61132-2
Product certifications	RCM CULus CE KC
Ambient air temperature for operation	0...55 °C conforming to EN 61131-2
Ambient air temperature for storage	-20...60 °C
Relative humidity	10...90 % non-condensing
Operating altitude	2000 m
Vibration resistance	3.5 mm constant amplitude (f = 5...9 Hz) conforming to EN/IEC 61131-2 9.8 m/s ² (f = 9...150 Hz) conforming to EN/IEC 61131-2
Shock resistance	147 m/s ² conforming to EN/IEC 61131-2
Electromagnetic compatibility	Electrostatic discharge immunity test level 3 conforming to EN/IEC 61000-4-2

Packing Units

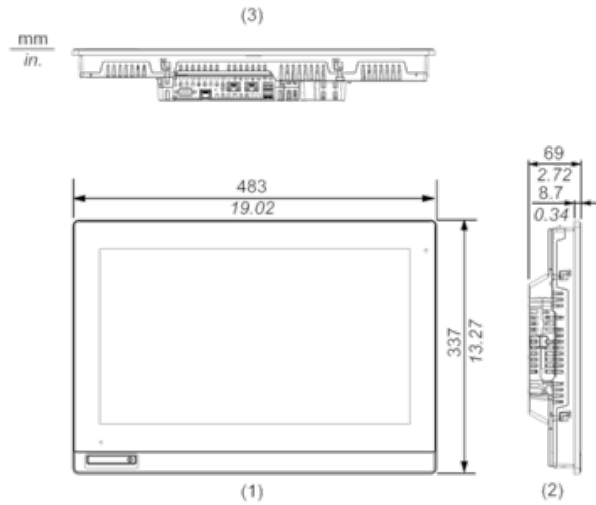
Unit Type of Package 1	PCE
Number of Units in Package 1	1
Package 1 Height	18.800 cm
Package 1 Width	50.000 cm
Package 1 Length	61.500 cm
Package 1 Weight	7.890 kg
Unit Type of Package 2	P12
Number of Units in Package 2	2
Package 2 Height	36.000 cm
Package 2 Width	80.000 cm
Package 2 Length	120.000 cm
Package 2 Weight	27.000 kg

Offer Sustainability

Sustainable offer status	Green Premium product
REACH Regulation	REACH Declaration
REACH free of SVHC	Yes
EU RoHS Directive	Pro-active compliance (Product out of EU RoHS legal scope) EU RoHS Declaration
Mercury free	Yes
China RoHS Regulation	China RoHS declaration
RoHS exemption information	Yes
WEEE	The product must be disposed on European Union markets following specific waste collection and never end up in rubbish bins

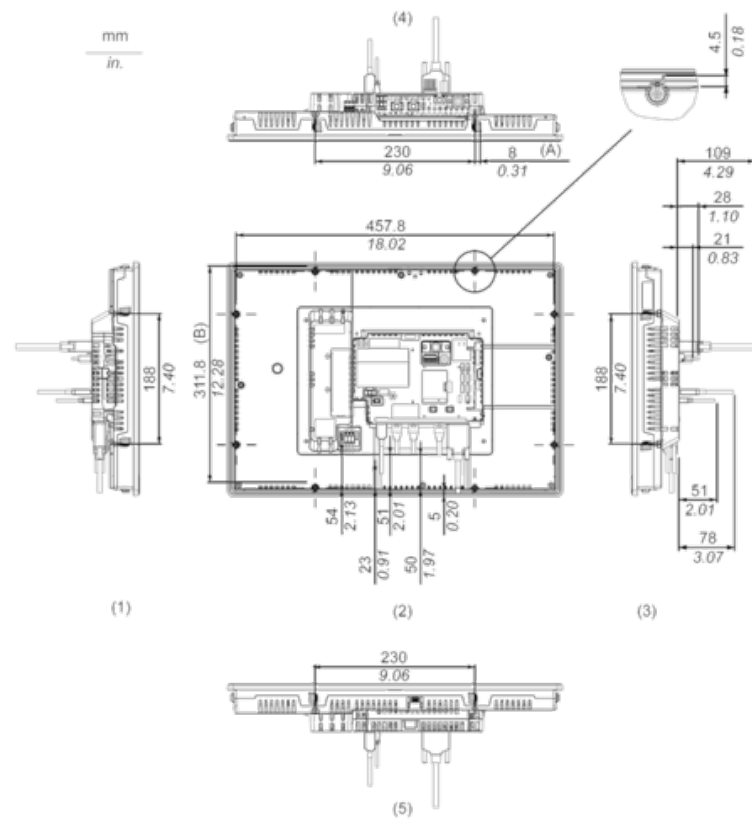
External Dimensions

Display Unit with Box Module



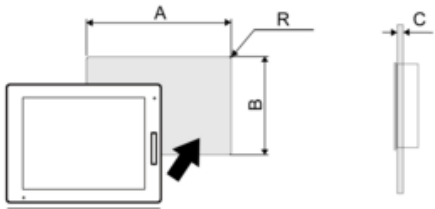
- (1) Front
- (2) Left
- (3) Bottom

Installation with Installation Fasteners and Dimensions with Cables



- (A) Rotation area of the fastener
- (B) Pitch of the center of installation fastener screws
- (1) Right
- (2) Front
- (3) Left
- (4) Bottom
- (5) Top

Panel Cut Dimensions



Dimensions in mm

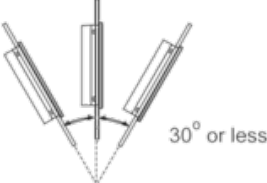
A	B	C	R
465 (+1/-0)	319 (+1/-0)	1.6...5	3 max.

Dimensions in in.

A	B	C	R
18.31 (+0.04/-0)	12.56 (+0.04/-0)	0.06...0.2	0.12 max.

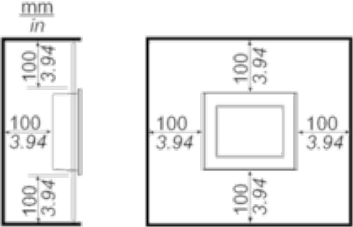
Installation Requirements

Mounting Angle



When installing this product in a slanted position with an incline more than 30°, the ambient temperature must not exceed 40 °C (104 °F). You may need to use forced air cooling (fan, A/C) to ensure the ambient operating temperature is 40 °C or less (104 °F or less).

Clearance



Recommended replacement(s)