

SACC-M12FS-8QO-0,5 SH - Connector



1414611

<https://www.phoenixcontact.com/in/products/1414611>

Please be informed that the data shown in this PDF document is generated from our Online Catalog. Please find the complete data in the user documentation. Our General Terms of Use for Downloads are valid.



Connector, Universal, 8-position, halogen-free, shielded, Socket straight M12, A, Insulation displacement connection, knurl material: Zinc die-cast, nickel-plated, external cable diameter 5 mm ... 9.7 mm

Your advantages

- Safe use in the field, thanks to a high degree of protection
- Save time, thanks to installation with SPEEDCON fast locking system
- Reliable signal transmission – 360° shielding in environments with electromagnetic interference

Commercial Data

Item number	1414611
Packing unit	1 pc
Minimum order quantity	1 pc
Sales Key	BF2
Product Key	BF2CDA
Catalog Page	Page 21 (C-2-2019)
GTIN	4055626029580
Weight per Piece (including packing)	45.2 g
Weight per Piece (excluding packing)	45.2 g
Customs tariff number	85366990
Country of origin	DE

SACC-M12FS-8QO-0,5 SH - Connector

1414611

<https://www.phoenixcontact.com/in/products/1414611>

Technical Data

Notes

Assembly instruction:

NOTE: Observe the permissible bending radii when laying conductors, since the degree of protection may be put in jeopardy if the bending forces are too high. Alleviate mechanical loads upstream of the connector, e.g. by using cable ties.

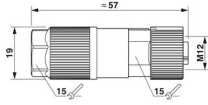
Product properties

Product type	Circular connector (cable-side)
Number of positions	8
No. of cable outlets	1
Shielded	yes
Coding	A
Cable outlet	straight

Insulation characteristics

Overvoltage category	III
Degree of pollution	3

Dimensions

Dimensional drawing	
Length	57 mm
Wrench size, union nut	15 mm

External dimensions

Outside diameter	5 mm ... 9.7 mm
------------------	-----------------

Housing

Diameter housing	19 mm
------------------	-------

Material specifications

Flammability rating according to UL 94	V0
Seal material	NBR
Material of grip body	Zinc die-cast, nickel-plated
Contact material	CuSn
Contact surface material	Ni/Au
Contact carrier material	PA 6.6
Material for screw connection	Zinc die-cast, nickel-plated
Standards/regulations	PA 6.6: Fire protection in rail vehicles - requirement sets R22, R23, R24, and R26 acc. to DIN EN 45545-2 (Risk level HL1 - HL3)

SACC-M12FS-8QO-0,5 SH - Connector



1414611

<https://www.phoenixcontact.com/in/products/1414611>

Wire insulation material	PVC / PE / PP / rubber
--------------------------	------------------------

Connection data

Conductor connection

Connection method	Insulation displacement connection
Connection cross section	0.14 mm ² ... 0.5 mm ² (flexible)
	0.14 mm ² ... 0.5 mm ² (solid)
Connection cross section AWG	26 ... 20 (flexible)
	26 ... 20 (solid)
Tightening torque	5 Nm (Pressure nut)

Pin assignment

Contact Color (signal designation) Contact (optional)	1 = WH
	2 = BN
	3 = GN
	4 = YE
	5 = GY
	6 = PK
	7 = BU
	8 = RD

Electrical properties

Rated surge voltage	0.8 kV
Insulation resistance	≥ 100 MΩ
Nominal voltage U _N	30 V AC
	30 V DC
Nominal current I _N	2 A

Mechanical properties

Mechanical data

Insertion/withdrawal cycles	≥ 100
-----------------------------	-------

Connector

Connection 1

Head design	Socket
Head cable outlet	straight
Head thread type	M12
Coding	A

Cable/line

Signal type/category	Universal
----------------------	-----------

Environmental and real-life conditions

SACC-M12FS-8QO-0,5 SH - Connector



1414611

<https://www.phoenixcontact.com/in/products/1414611>

Ambient conditions

Degree of protection	IP65
	IP67
Ambient temperature (operation)	-40 °C ... 85 °C (Plug / socket)
Ambient temperature (assembly)	-5 °C ... 50 °C

Standards and regulations

Testing

Standards/regulations	PA 6.6: Fire protection in rail vehicles - requirement sets R22, R23, R24, and R26 acc. to DIN EN 45545-2 (Risk level HL1 - HL3)
-----------------------	--

M12

Standards/specifications	according to IEC 61076-2-101
--------------------------	------------------------------

SACC-M12FS-8QO-0,5 SH - Connector

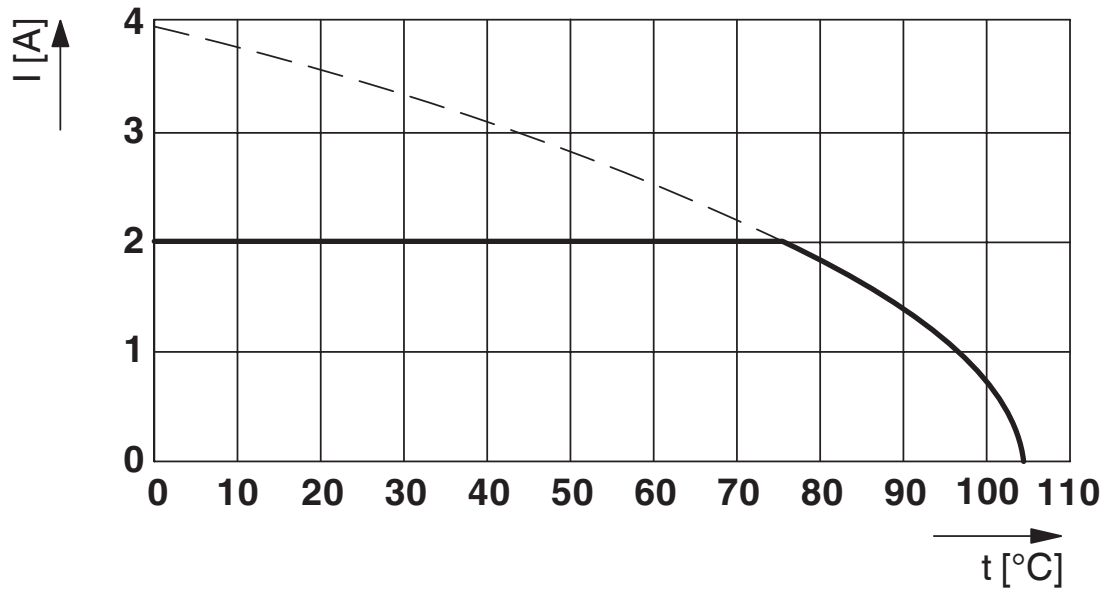


1414611

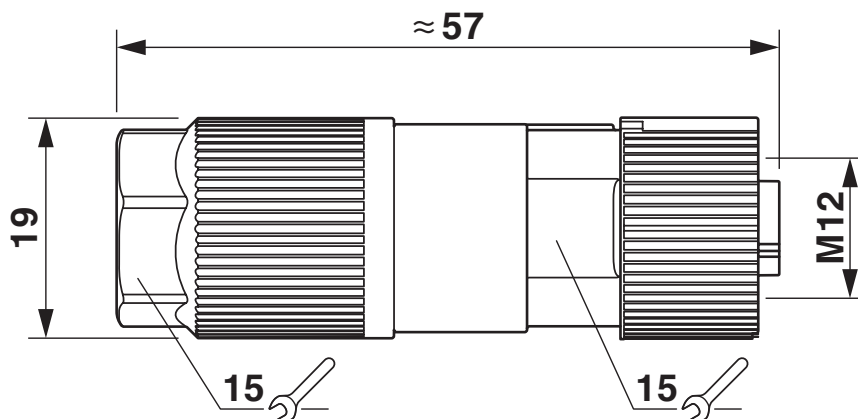
<https://www.phoenixcontact.com/in/products/1414611>

Drawings

Diagram

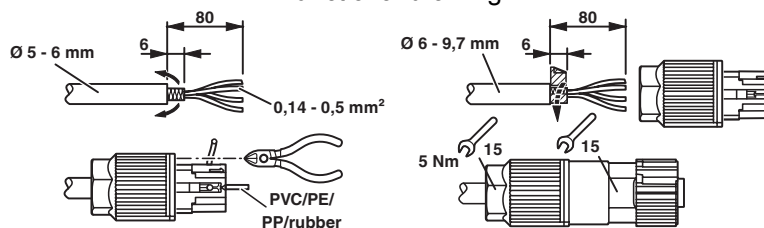


Dimensional drawing



M12 x 1 socket, straight, shielded

Functional drawing

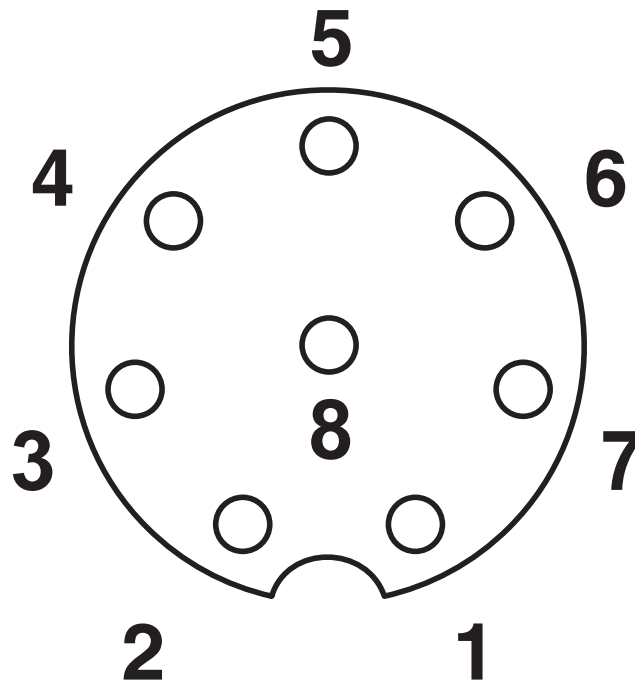


SACC-M12FS-8QO-0,5 SH - Connector

1414611

<https://www.phoenixcontact.com/in/products/1414611>

Schematic diagram



Pin assignment M12 socket, 8-pos., A-coded, view female side

SACC-M12FS-8QO-0,5 SH - Connector



1414611

<https://www.phoenixcontact.com/in/products/1414611>

Approvals



EAC

Approval ID: RU C-DE.BL08.B.00511

SACC-M12FS-8QO-0,5 SH - Connector



1414611

<https://www.phoenixcontact.com/in/products/1414611>

Classifications

ECLASS

ECLASS-11.0	27440102
ECLASS-12.0	27440116
ECLASS-13.0	27440116

ETIM

ETIM 8.0	EC002635
----------	----------

UNSPSC

UNSPSC 21.0	39121400
-------------	----------

SACC-M12FS-8QO-0,5 SH - Connector



1414611

<https://www.phoenixcontact.com/in/products/1414611>

Environmental Product Compliance

China RoHS	Environmentally friendly use period: unlimited = EFUP-e No hazardous substances above threshold values
------------	---

SACC-M12FS-8QO-0,5 SH - Connector



1414611

<https://www.phoenixcontact.com/in/products/1414611>

Accessories

VS-08-RJ45-FOLIEN-SET - Shielding foil

1417184

<https://www.phoenixcontact.com/in/products/1417184>

Shielding foil set, 25 pieces, replacement for RJ45 and M12 Quickon connector



TSD 04 SAC - Torque screwdriver

1208429

<https://www.phoenixcontact.com/in/products/1208429>

Torque screwdriver, with preset torque of 0.4 Nm and 4 mm hexagonal drive for M12 connectors



SACC-M12FS-8QO-0,5 SH - Connector

1414611

<https://www.phoenixcontact.com/in/products/1414611>



SACC BIT M12-D20 - Tool

1208445

<https://www.phoenixcontact.com/in/products/1208445>

Nut for assembling M12 connectors for assembly with a knurl diameter of 20 mm, for 4 mm hexagonal drive



TSD-M 1,2NM - Torque screwdriver

1212224

<https://www.phoenixcontact.com/in/products/1212224>

Torque screw driver, accuracy as per EN ISO 6789 standard, adjustable from 0.3 - 1.2 Nm



SACC-M12FS-8QO-0,5 SH - Connector

1414611

<https://www.phoenixcontact.com/in/products/1414611>



TSD-M SAC-BIT ADAPTER - Adapter insert

1212600

<https://www.phoenixcontact.com/in/products/1212600>



Adapter bit for TSD-M...torque tools, E6.3-1/4" drive with 4 mm hexagon to accommodate SAC bits

PROT-M12 MS-PA-CHAIN - Screw plug

1430899

<https://www.phoenixcontact.com/in/products/1430899>

M12 sealing cap with fixing band, for sensor cables, for free M12 sockets



SACC-M12FS-8QO-0,5 SH - Connector



1414611

<https://www.phoenixcontact.com/in/products/1414611>

WIREFOX-D 40 - Stripping tool

1212161

<https://www.phoenixcontact.com/in/products/1212161>



Stripping tool, for stripping cables of 4.5 mm - 40 mm-Ø, insulation thickness of up to 4.5 mm, pivoting blade for round, lengthwise, and spiral cuts

MICROFOX-SP-1 - Diagonal cutter

1212487

<https://www.phoenixcontact.com/in/products/1212487>



Electronic diagonal cutter, tapered head, without chamfer, with opening spring, non-reflective phosphate-treated surface, punched version

SACC-M12FS-8QO-0,5 SH - Connector

1414611

<https://www.phoenixcontact.com/in/products/1414611>



VS-CABLE-STRIP-VARIO - Stripping tool

1657407

<https://www.phoenixcontact.com/in/products/1657407>

Stripping tool, for the multi-level stripping of shielded cables



Phoenix Contact 2023 © - all rights reserved

<https://www.phoenixcontact.com>

PHOENIX CONTACT (I) Pvt. Ltd.

A-58/2, Okhla Industrial Area, Phase - II, New Delhi-110 020

+91.1275.71420

info@phoenixcontact.co.in