

G-INSEC-M32-M68N-NCRS-S - Cable gland



1411191

<https://www.phoenixcontact.com/in/products/1411191>

Please be informed that the data shown in this PDF document is generated from our Online Catalog. Please find the complete data in the user documentation. Our General Terms of Use for Downloads are valid.



Cable gland, material for screw connection: Nickel-plated brass, external cable diameter 14 mm .
.. 21 mm, shielding: yes, connecting thread: M32 x 1.5, color: silver, with O-ring

Commercial Data

Item number	1411191
Packing unit	5 pc
Minimum order quantity	5 pc
Sales Key	BF7
Product Key	BF7DBX
Catalog Page	Page 690 (C-2-2019)
GTIN	4046356923224
Weight per Piece (including packing)	99.42 g
Weight per Piece (excluding packing)	101.08 g
Customs tariff number	74198090
Country of origin	DE

Technical Data

Mounting

Assembly instructions	<p>Method 1 Cut the outer sheath, but do not remove it. Feed the cable through the screw connection and then remove the outer sheath. Now pull the cable back until the connection is established between the cable shield and the contact spring.</p> <p>Method 2 Push the braided shield back around 15 ... 20 mm over the outer sheath. Insert the cables into the screw connection until the connection is established between the cable shield and the contact spring.</p>
-----------------------	---

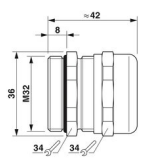
Product properties

Product type	Full screw connection
No. of conductors	1
Manufacturer	Jacob
Manufacturer Designation	50.632 M/EMVD
Shielded	yes
Execution of the strain relief	A

Characteristics

Category of shock impact	6
Design, Strain relief	A

Dimensions

Dimensional drawing	
Length	38 mm
Length of the connecting thread	8 mm
Hole diameter	32.1 mm ... 32.3 mm
Wrench size, union nut	34 mm
Wrench size, support	34 mm
Hexagon angular dimension	36 mm
Thread type connection side	M32 x 1.5
Thread pitch	1.5 mm

Material specifications

Color	silver
Material Compression ring	PA 6
Seal material O-ring	Perbunan

G-INSEC-M32-M68N-NCRS-S - Cable gland



1411191

<https://www.phoenixcontact.com/in/products/1411191>

Seal material Cable seal	CR/NBR
Material for screw connection	Nickel-plated brass

Cable/line

External cable diameter	14 mm ... 21 mm
Halogen-free	no

Environmental and real-life conditions

Ambient conditions

Degree of protection	IP68 (5 bar, 30 minutes)
Ambient temperature (operation)	-40 °C ... 100 °C (static)

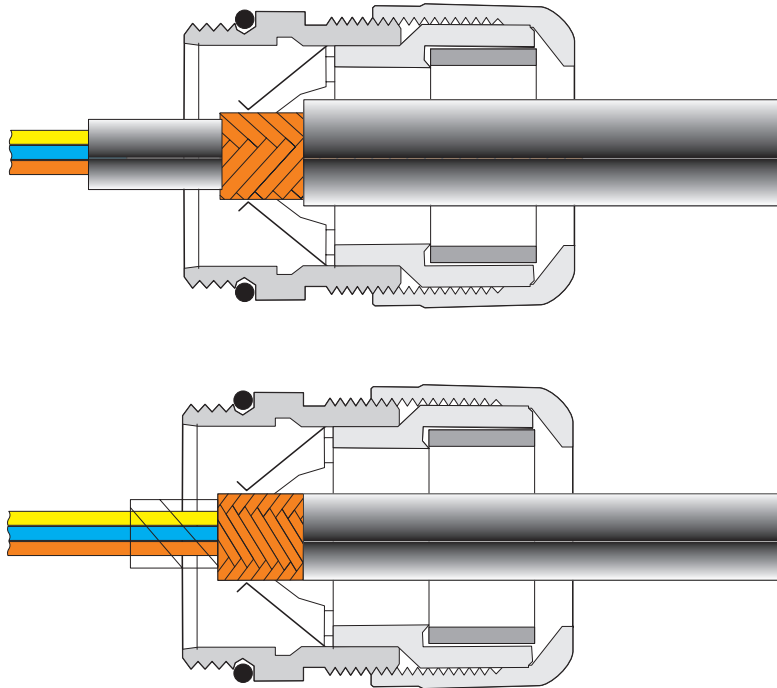
G-INSEC-M32-M68N-NCRS-S - Cable gland

1411191

<https://www.phoenixcontact.com/in/products/1411191>

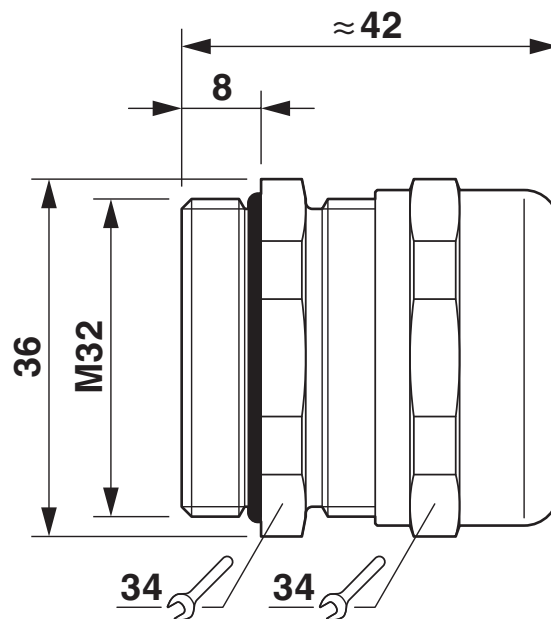
Drawings

Functional drawing



See assembly instruction

Dimensional drawing



Dimensional drawing

G-INSEC-M32-M68N-NCRS-S - Cable gland



1411191

<https://www.phoenixcontact.com/in/products/1411191>

Approvals



cUL Recognized

Approval ID: QCRV8.E140310



UL Recognized

Approval ID: QCRV2.E140310



UL Listed

Approval ID: QCRV.E140310



cUL Listed

Approval ID: QCRV7.E140310

G-INSEC-M32-M68N-NCRS-S - Cable gland



1411191

<https://www.phoenixcontact.com/in/products/1411191>

Classifications

ECLASS

ECLASS-11.0	27144432
ECLASS-12.0	27140801
ECLASS-13.0	27140801

ETIM

ETIM 8.0	EC000441
----------	----------

UNSPSC

UNSPSC 21.0	39121300
-------------	----------

G-INSEC-M32-M68N-NCRS-S - Cable gland



1411191

<https://www.phoenixcontact.com/in/products/1411191>

Environmental Product Compliance

REACH SVHC	Lead 7439-92-1
China RoHS	Environmentally Friendly Use Period = 50 years
	For information on hazardous substances, refer to the manufacturer's declaration available under "Downloads"

G-INSEC-M32-M68N-NCRS-S - Cable gland



1411191

<https://www.phoenixcontact.com/in/products/1411191>

Accessories

A-INLE-M32-N-S - EMV nut

1411271

<https://www.phoenixcontact.com/in/products/1411271>

EMV nut, for threads M32 x 1.5, color: silver



SEALING PLUG 17X17 RD - Closing cap

1421861

<https://www.phoenixcontact.com/in/products/1421861>

Closing cap, color: red



Phoenix Contact 2023 © - all rights reserved

<https://www.phoenixcontact.com>

PHOENIX CONTACT (I) Pvt. Ltd.

A-58/2, Okhla Industrial Area, Phase - II, New Delhi-110 020

+91.1275.71420

info@phoenixcontact.co.in