

HC-STA-B24-HHFD-BLANK-EL-AL - Housing



1420011

<https://www.phoenixcontact.com/in/products/1420011>

Please be informed that the data shown in this PDF document is generated from our Online Catalog. Please find the complete data in the user documentation. Our General Terms of Use for Downloads are valid.



Sleeve housing B24, for double locking latch, material: Die-cast aluminum, salt water resistant, variable, height: 76 mm, cable gland: none, Standard, Without thread opening for screw connection

Product Description

Sleeve housing, without screw thread

Your advantages

- Good shielding in the event of electromagnetic interference

Commercial Data

Item number	1420011
Packing unit	1 pc
Minimum order quantity	1 pc
Sales Key	BF7
Product Key	BF7APB
Catalog Page	Page 638 (C-2-2019)
GTIN	4055626201375
Weight per Piece (including packing)	295.1 g
Weight per Piece (excluding packing)	295.1 g
Customs tariff number	85389099
Country of origin	CN

HC-STA-B24-HHFD-BLANK-EL-AL - Housing

1420011

<https://www.phoenixcontact.com/in/products/1420011>

Technical Data

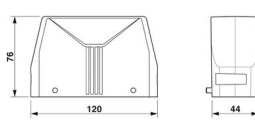
Notes

General	for contact inserts HC-B24, BB46, D64, DD108, HV10/16, M
---------	--

Product properties

Type	B24
Product type	Housing with locking latch
Application	Standard
Housing type	Sleeve housing
Locking type	for double locking latch
Cable outlet	variable
Pg screw connection	none

Dimensions

Dimensional drawing	
Width	44 mm
Height	76 mm
Length	120 mm

Material specifications

Color	gray aluminum
Housing surface material	uncoated
Impact strength	IK09
Housing material	Die-cast aluminum, salt water resistant

Mechanical properties

Mechanical data	
Locking type	Pin

Environmental and real-life conditions

Ambient conditions	
Degree of protection	IP66
	IP67
	4 (UL 50e)
	4X (UL 50e)
	12 (UL 50e)
Impact strength	IK09
Ambient temperature (operation)	-40 °C ... 125 °C

HC-STA-B24-HHFD-BLANK-EL-AL - Housing

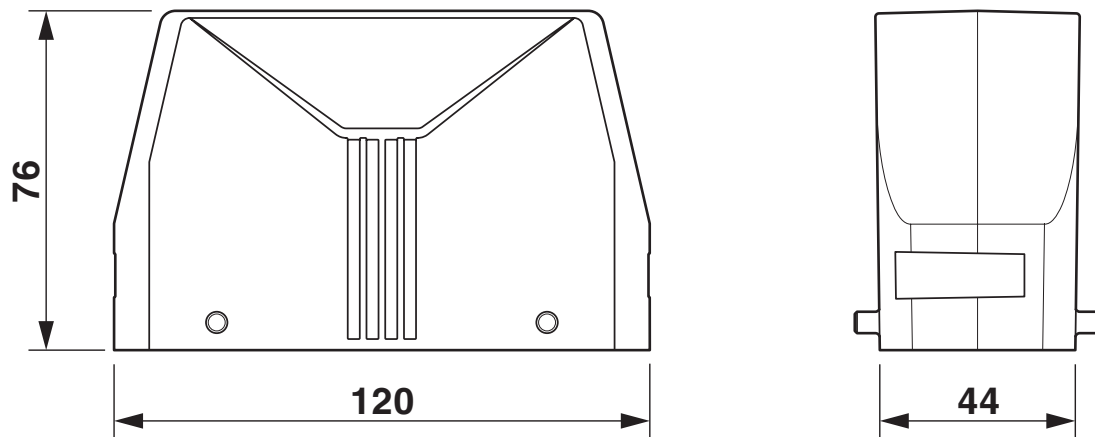
1420011

<https://www.phoenixcontact.com/in/products/1420011>



Drawings

Dimensional drawing



Dimensional drawing

HC-STA-B24-HHFD-BLANK-EL-AL - Housing



1420011

<https://www.phoenixcontact.com/in/products/1420011>

Approvals



EAC

Approval ID: RU C-DE.AI30.B.01102



EAC

Approval ID: RU C-DE.BL08.B.00511

HC-STA-B24-HHFD-BLANK-EL-AL - Housing



1420011

<https://www.phoenixcontact.com/in/products/1420011>

Classifications

ECLASS

ECLASS-11.0	27440202
ECLASS-12.0	27440202
ECLASS-13.0	27440202

ETIM

ETIM 8.0	EC000437
----------	----------

UNSPSC

UNSPSC 21.0	31261500
-------------	----------

HC-STA-B24-HHFD-BLANK-EL-AL - Housing



1420011

<https://www.phoenixcontact.com/in/products/1420011>

Environmental Product Compliance

China RoHS	Environmentally friendly use period: unlimited = EFUP-e
	No hazardous substances above threshold values

HC-STA-B24-HHFD-BLANK-EL-AL - Housing



1420011

<https://www.phoenixcontact.com/in/products/1420011>

Accessories

US-EMLP (20X9) CUS - Plastic label

0830085

<https://www.phoenixcontact.com/in/products/0830085>

Plastic label, can be ordered: by card, white, labeled according to customer specifications, mounting type: adhesive, lettering field size: 20 x 9 mm, Number of individual labels: 75



HC-B24-HCWD-PLR-BK - Protective cover

1346552

<https://www.phoenixcontact.com/in/products/1346552>

Protective cover B24, with double locking latch, protective cover material: PC, height: 25.4 mm, seal: yes



HC-STA-B24-HHFD-BLANK-EL-AL - Housing



1420011

<https://www.phoenixcontact.com/in/products/1420011>

US-EMLP-HA (20X9) - Plastic label

0830989

<https://www.phoenixcontact.com/in/products/0830989>

Plastic label, Card, white, unlabeled, can be labeled with: BLUEMARK ID COLOR, BLUEMARK ID, THERMOMARK PRIME, THERMOMARK CARD 2.0, THERMOMARK CARD, mounting type: adhesive, lettering field size: 20 x 9 mm, Number of individual labels: 70



Phoenix Contact 2023 © - all rights reserved

<https://www.phoenixcontact.com>

PHOENIX CONTACT (I) Pvt. Ltd.

A-58/2, Okhla Industrial Area, Phase - II, New Delhi-110 020

+91.1275.71420

info@phoenixcontact.co.in