

# G-INS-M12-S68N-NNES-S - Cable gland



1411160

<https://www.phoenixcontact.com/in/products/1411160>

Please be informed that the data shown in this PDF document is generated from our Online Catalog. Please find the complete data in the user documentation. Our General Terms of Use for Downloads are valid.



Cable gland, material for screw connection: Nickel-plated brass, external cable diameter 3 mm ... 6.5 mm, shielding: no, connecting thread: M12 x 1.5, color: silver, with O-ring

## Commercial Data

Item number	1411160
Packing unit	10 pc
Minimum order quantity	10 pc
Sales Key	BF7
Product Key	BF7DAX
Catalog Page	Page 688 (C-2-2019)
GTIN	4046356922968
Weight per Piece (including packing)	12.91 g
Weight per Piece (excluding packing)	12.91 g
Customs tariff number	74198090
Country of origin	TR

# G-INS-M12-S68N-NNES-S - Cable gland



1411160

<https://www.phoenixcontact.com/in/products/1411160>

## Technical Data

### Mounting

Assembly instructions	1) Mount screw connection support in the housing using the correct torque 2) Insert cable 3) Tighten union nut using the correct torque
-----------------------	---

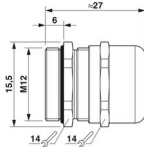
### Product properties

Product type	Full screw connection
No. of conductors	1
Manufacturer	BIMED
Manufacturer Designation	BMBC-0S
Shielded	no
Execution of the strain relief	A

### Characteristics

Category of shock impact	5
Design, Strain relief	A

### Dimensions

Dimensional drawing	
Length	27 mm
Length of the connecting thread	6 mm
Hole diameter	12.1 mm ... 12.3 mm
Wrench size, union nut	14 mm
Wrench size, support	14 mm
Hexagon angular dimension	15.5 mm
Thread type connection side	M12 x 1.5
Thread pitch	1.5 mm

### Material specifications

Color	silver
Material Compression ring	PA 6
Seal material O-ring	Perbunan
Seal material Cable seal	CR
Material for screw connection	Nickel-plated brass

### Cable/line

External cable diameter	3 mm ... 6.5 mm
	4 mm ... 6.5 mm (for UL 514 B)

# G-INS-M12-S68N-NNES-S - Cable gland



1411160

<https://www.phoenixcontact.com/in/products/1411160>

Halogen-free	no
--------------	----

## Environmental and real-life conditions

### Ambient conditions

Degree of protection	IP69 (DIN EN 60529 / IEC 60529)
	IP68 (5 bar, 30 min.)
	IP66
	4X
Ambient temperature (operation)	-40 °C ... 100 °C (static)

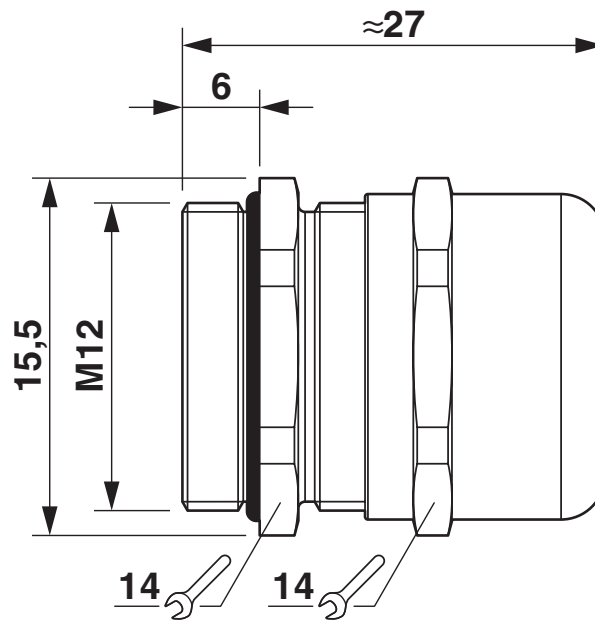
# G-INS-M12-S68N-NNES-S - Cable gland

1411160

<https://www.phoenixcontact.com/in/products/1411160>

## Drawings

Dimensional drawing



Dimensional drawing

# G-INS-M12-S68N-NNES-S - Cable gland



1411160

<https://www.phoenixcontact.com/in/products/1411160>

## Approvals



**cUL Recognized**

Approval ID: E199260



**UL Recognized**

Approval ID: E199260

# G-INS-M12-S68N-NNES-S - Cable gland



1411160

<https://www.phoenixcontact.com/in/products/1411160>

## Classifications

### ECLASS

ECLASS-11.0	27144432
ECLASS-12.0	27140801
ECLASS-13.0	27140801

### ETIM

ETIM 8.0	EC000441
----------	----------

### UNSPSC

UNSPSC 21.0	39121300
-------------	----------

# G-INS-M12-S68N-NNES-S - Cable gland



1411160

<https://www.phoenixcontact.com/in/products/1411160>

## Environmental Product Compliance

REACH SVHC	Lead 7439-92-1
China RoHS	Environmentally Friendly Use Period = 50 years
	For information on hazardous substances, refer to the manufacturer's declaration available under "Downloads"

# G-INS-M12-S68N-NNES-S - Cable gland



1411160

<https://www.phoenixcontact.com/in/products/1411160>

## Accessories

### A-INL-M12-N-S - Counter nut

1411240

<https://www.phoenixcontact.com/in/products/1411240>

Counter nut, for threads M12 x 1.5, color: silver



---

### SEALING PLUG 5X12 RD - Closing cap

1400253

<https://www.phoenixcontact.com/in/products/1400253>

Closing cap, color: red



---

Phoenix Contact 2023 © - all rights reserved

<https://www.phoenixcontact.com>

PHOENIX CONTACT (I) Pvt. Ltd.

A-58/2, Okhla Industrial Area, Phase - II, New Delhi-110 020

+91.1275.71420

[info@phoenixcontact.co.in](mailto:info@phoenixcontact.co.in)