

# VIP-2/SC/PDM-2/24 - Potential distributors



2315269

<https://www.phoenixcontact.com/in/products/2315269>

Please be informed that the data shown in this PDF document is generated from our Online Catalog. Please find the complete data in the user documentation. Our General Terms of Use for Downloads are valid.



VARIOFACE module, with two equipotential busbars (P1, P2) for potential distribution, for mounting on NS 35 rails. Module width: 70.4 mm

## Your advantages

- Consecutive numbering
- Separate supply
- Two potential levels

## Commercial Data

Item number	2315269
Packing unit	1 pc
Minimum order quantity	1 pc
Sales Key	CK2
Product Key	CK24D1
Catalog Page	Page 578 (C-5-2019)
GTIN	4046356313377
Weight per Piece (including packing)	150.3 g
Weight per Piece (excluding packing)	147 g
Customs tariff number	85369010
Country of origin	US

## Technical Data

### Notes

Type of insulation housing	Polyamide PA non-reinforced, distributor terminal blocks made of PVC
----------------------------	--

### Product properties

Product type	Potential distributor
Product family	VARIOFACE Professional
Potential connections	Per potential (P1, P2) 2 power/12 distributor terminal blocks

### Insulation characteristics

Overvoltage category	III
Pollution degree	2

### Electrical properties

Nominal voltage $U_N$	250 V AC/DC
Max. current carrying capacity per branch	15 A
Max. total current of all branches	30 A (per potential)
Rated surge voltage	2.2 kV

### Input data

Potential connections	Per potential (P1, P2) 2 power/12 distributor terminal blocks
-----------------------	---

### Connection data

#### Service Entrance

Connection method	Screw connection
Stripping length	8 mm
Screw thread	M3
Number of connections	2
Conductor cross section rigid	0.2 mm <sup>2</sup> ... 6 mm <sup>2</sup>
Conductor cross section flexible	0.2 mm <sup>2</sup> ... 4 mm <sup>2</sup>
Conductor cross section AWG	24 ... 10

#### Distribution

Connection method	Screw connection
Stripping length	8 mm
Screw thread	M3
Number of connections	12
Number of positions	2
Conductor cross section rigid	0.2 mm <sup>2</sup> ... 4 mm <sup>2</sup>
Conductor cross section flexible	0.2 mm <sup>2</sup> ... 2.5 mm <sup>2</sup>
Conductor cross section AWG	24 ... 12

### Dimensions

# VIP-2/SC/PDM-2/24 - Potential distributors



2315269

<https://www.phoenixcontact.com/in/products/2315269>

Width	70.4 mm
Height	65.5 mm
Depth	50 mm

## Environmental and real-life conditions

### Ambient conditions

Ambient temperature (operation)	-20 °C ... 50 °C (NOTE: At maximum relative humidity < 90%.)
Ambient temperature (storage/transport)	-20 °C ... 70 °C (NOTE: At maximum relative humidity < 90%.)
Altitude	< 2000 m
Permissible humidity (operation)	90 %
Permissible humidity (storage/transport)	90 %

## Standards and regulations

Standards/regulations	IEC 60664
	DIN EN 50178

## Mounting

Mounting type	DIN rail mounting
Mounting position	any

# VIP-2/SC/PDM-2/24 - Potential distributors

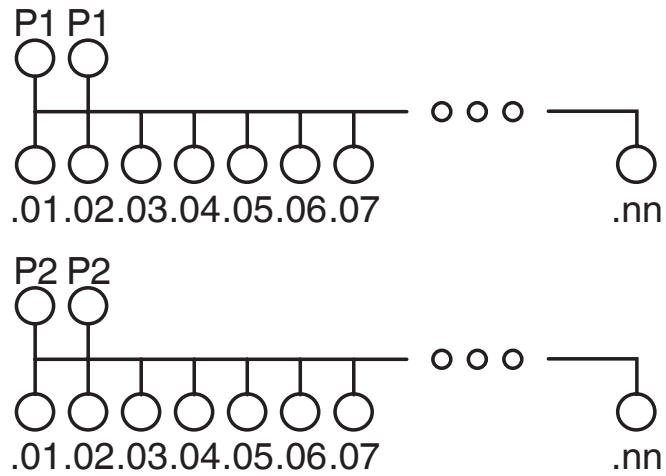
2315269

<https://www.phoenixcontact.com/in/products/2315269>



## Drawings

Circuit diagram




# VIP-2/SC/PDM-2/24 - Potential distributors





2315269


<https://www.phoenixcontact.com/in/products/2315269>

## Approvals


 <b>CSA</b> Approval ID: 2122203				
	Nominal Voltage $U_N$	Nominal Current $I_N$	Cross Section AWG	Cross Section $\text{mm}^2$
	250 V	12 A	30 - 12	-
	250 V	12 A	30 - 10	-

 <b>cUL Recognized</b> Approval ID: FILE E 238705				
	Nominal Voltage $U_N$	Nominal Current $I_N$	Cross Section AWG	Cross Section $\text{mm}^2$
	250 V	12 A	30 - 12	-
	250 V	12 A	30 - 10	-

 <b>UL Recognized</b> Approval ID: FILE E 238705				
	Nominal Voltage $U_N$	Nominal Current $I_N$	Cross Section AWG	Cross Section $\text{mm}^2$
	250 V	12 A	30 - 12	-
	250 V	12 A	30 - 10	-

 <b>EAC</b> Approval ID: EAC-Zulassung				
--	--	--	--	--

 <b>EAC</b> Approval ID: RU C-DE.BL08.B.00511				
---	--	--	--	--

 <b>CSAus</b> Approval ID: 2122203				
	Nominal Voltage $U_N$	Nominal Current $I_N$	Cross Section AWG	Cross Section $\text{mm}^2$
	250 V	12 A	30 - 12	-
	250 V	12 A	30 - 10	-

# VIP-2/SC/PDM-2/24 - Potential distributors



2315269

<https://www.phoenixcontact.com/in/products/2315269>

## Classifications

### ECLASS

ECLASS-11.0	27400609
ECLASS-13.0	Potenzialverteiler
ECLASS-13.0	Potenzialverteiler
ECLASS-13.0	Potenzialverteiler

### ETIM

ETIM 8.0	EC001894
----------	----------

### UNSPSC

UNSPSC 21.0	39121400
-------------	----------

# VIP-2/SC/PDM-2/24 - Potential distributors



2315269

<https://www.phoenixcontact.com/in/products/2315269>

## Environmental Product Compliance

China RoHS	Environmentally friendly use period: unlimited = EFUP-e No hazardous substances above threshold values
------------	---

Phoenix Contact 2023 © - all rights reserved  
<https://www.phoenixcontact.com>

PHOENIX CONTACT (I) Pvt. Ltd.  
A-58/2, Okhla Industrial Area, Phase - II, New Delhi-110 020

+91.1275.71420  
[info@phoenixcontact.co.in](mailto:info@phoenixcontact.co.in)