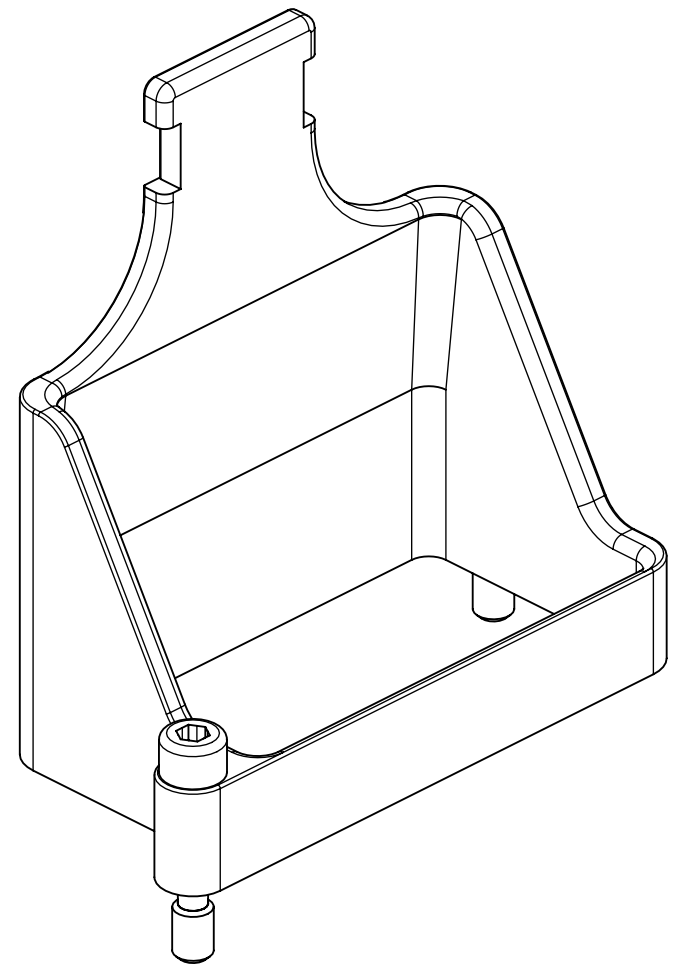
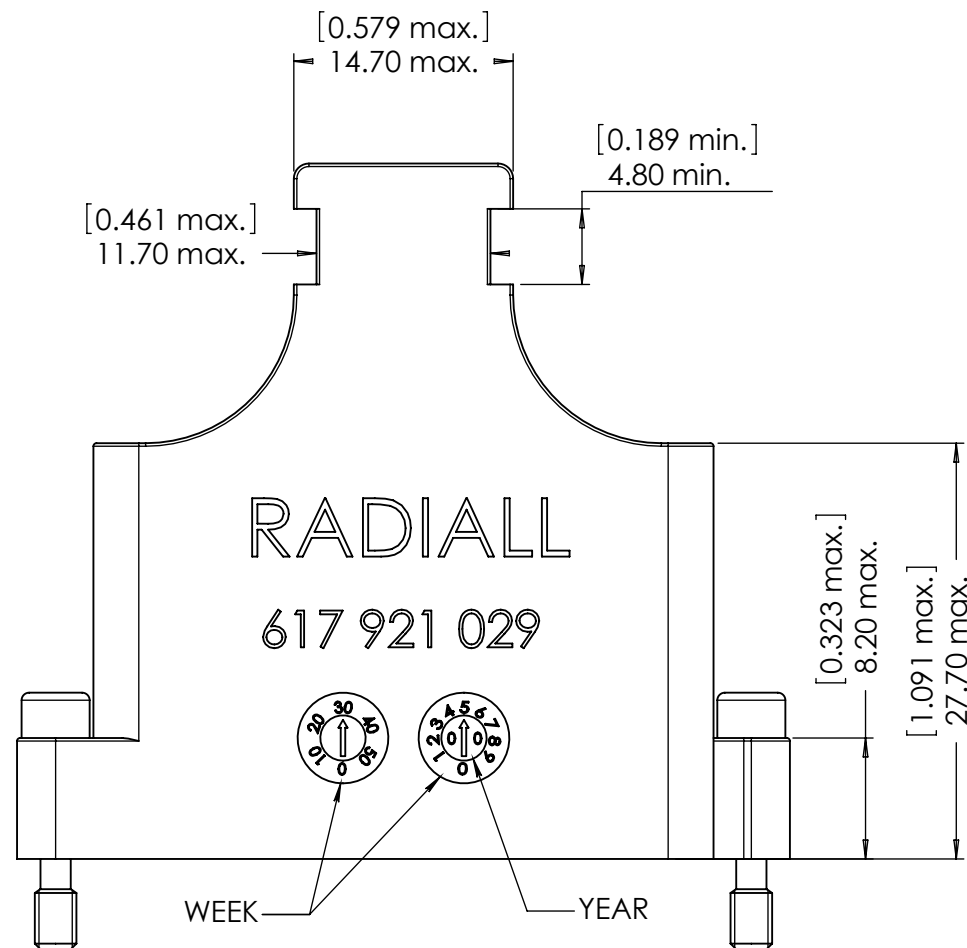
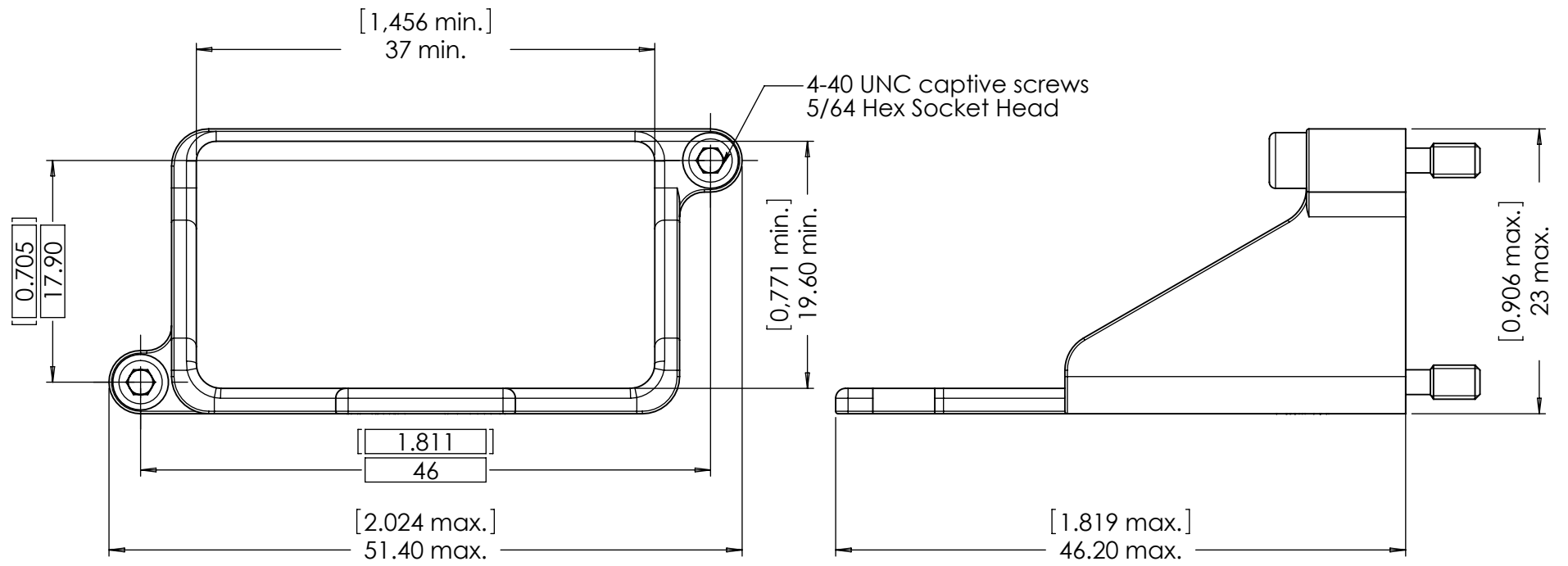


Series
EPXB

EPXB1 STRAIN RELIEF

Issue:
Jan 27, 2015

Page
1/1



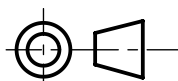
MATERIALS :

- BACKSHELL : HIGH GRADE THERMOPLASTIC
- SCREWS : STAINLESS STEEL

NOTES :

- 4-40 UNC CAPTIVE SCREW LOCKING TORQUE : 0,80 N.m [7 inchpound]

DIMENSIONS : mm (inch are given for information only)



Estimated weight : 7.20 g

This document contains proprietary information and such information shall not be disclosed to any third party for any purpose whatsoever or used for manufacturing purposes without prior written agreement from RADIALL. This information is given as an indication. In the continual goal to improve our products, we reserve the right to make any modifications judged necessary.

4112_9311

CREATION				
PEN:				
NOM: MARQUES F.	Jan 27, 15	Add estimated weight	Surault	VIEIRA
DATE: Aug 25, 2003	Sept 27, 10	Dimension updated	Pailot N	Legloahec Y
APPR.: GARCIA L.	Oct 12, 04	Added notes "WEEK" and "YEAR"	Legendre	Garcia
	Issue	Revisions	Name	Approved

617921029EN

RADIALL PROPRIETARY INFORMATION