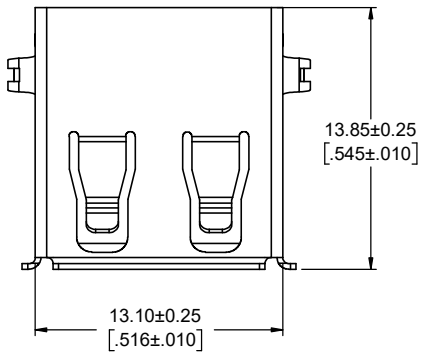


REVISIONS			
REV	DESCRIPTION, ECN, EAR NO.	DATE	APP'D
E	PRODUCT DRAWING(EAR14178)	OCT16/15	A.G.
F	UPDATE THE DRAWING FORMAT	JUN22/20	A.G.
G	UPDATE SOLDER TEMPERATURE	JUL17/20	A.G.



**AMPHENOL PART NUMBER: UE27-ACX4-X0X**

**SERIES**  
UE27 =USB 2.0 RECEPTACLE

**TYPE**  
A= SERIES A

**STYLE**  
C=RIGHT ANGLE PCB

**MODIFIER**  
0=PBT HOUSING  
H=HIGH TEMPERATURE HOUSING (MAXIMUM TEMPERATURE RATING 260°C FOR 10s)

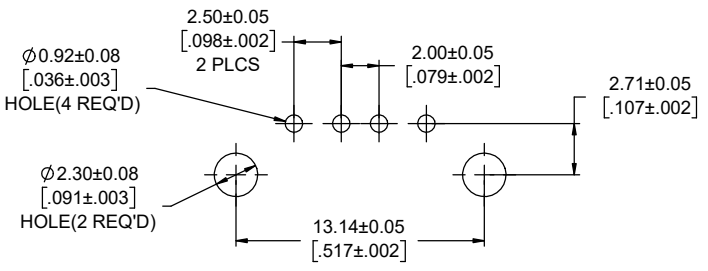
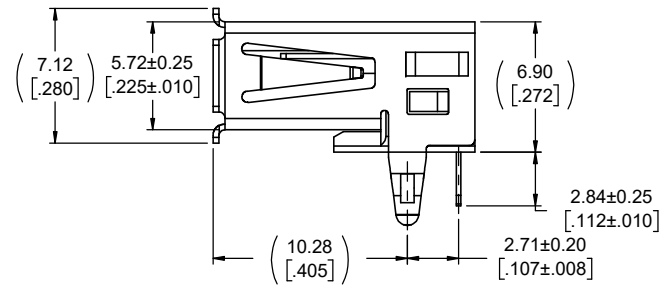
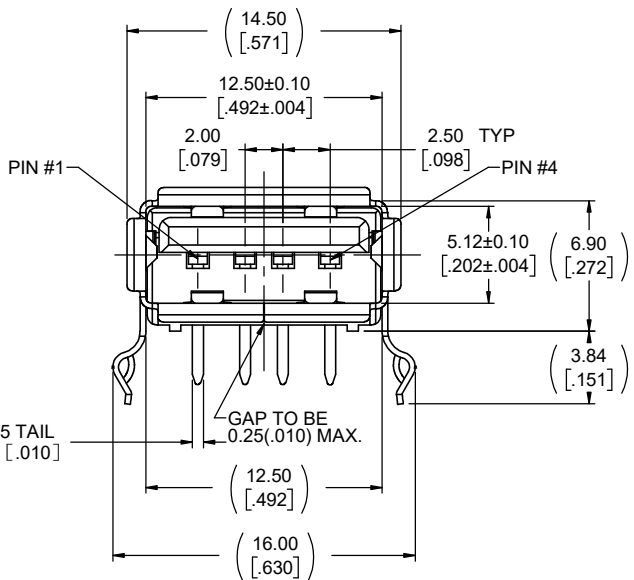
**SHIELDING STYLE**  
0=NO REAR SHIELD

**COLOUR**  
1 = BLACK

**NUMBER OF CONTACTS**  
4 = 4 CONTACTS

**CONTACT PLATING OPTION**  
5 = 0.76µm(30µ") GOLD ON CONTACT MATING AREA OVER 1.27µm(50µ") NICKEL OVERALL. 2.54µm(100µ") TIN PLATING ON CONTACT TAILS.

7 = GOLD FLASH ON CONTACT MATING AREA OVER 1.27µm(50µ") NICKEL OVERALL. 2.54µm(100µ") TIN PLATING ON CONTACT TAILS.



**RECOMMENDED PC BOARD LAYOUT**  
COMPONENT SIDE OF BOARD

**NOTES:**

- ALL MATERIALS TO BE RoHS COMPLIANT PER EU DIRECTIVE 2011/65/EU AND AMENDMENTS.  
HOUSING:ENGINEERING THERMOPLASTIC,UL FLAMMABILITY RATING 94 V-0.  
CONTACTS:COPPER ALLOY,CONTACT PLATING:SEE PART NUMBER ORDERING CODE FOR OPTIONS.  
SHELL:COPPER ALLOY PLATED WITH NICKEL OVER COPPER UNDERPLATE.
- ELECTRICAL CHARACTERISTICS:  
CURRENT RATING: 1.5A@250V AC.  
CONTACT RESISTANCE: 30 MILLIOHMS MAX.  
DIELECTRIC WITHSTANDING VOLTAGE: 500 AC.  
MATING CYCLES: 1500 CYCLES.  
OPERATING TEMPERATURE: -40°C TO +85°C.



UNLESS SPECIFIED OTHERWISE	DRAWN CHIGOW XU	DEC05/05
PRIMARY UNITS MILLIMETERS	CHECKED PAUL WANG	DEC05/05
SECONDARY INCHES	M.E. APP'D	
REFERENCE IN PARENTHESES	Q.A. APP'D	
GENERAL TOLERANCES	DWG APPR.	
1 DECIMAL PLACE	ENG. REL. NO. EAR 12884	
2 DECIMAL PLACES ±0.25	REF.	
3 DECIMAL PLACES	THIRD ANGLE PROJECTION	DO NOT SCALE DRAWING
ANGULAR DEGREES		

**Amphenol Canada Corp.**  
Commercial Products

UE27 SERIES USB RECEPTACLE,  
SERIES A,RIGHT ANGLE PCB TAIL,  
RoHS COMPLIANT

DWG. NO. **P-UE27-ACX4-X0X** REV **G**

CODE ID NO. 03554 DWG SIZE: X SCALE: 5:1 SHEET 1 OF 1