

MCC 1/ 9-STZF-3,81 - PCB connector



1852435

<https://www.phoenixcontact.com/in/products/1852435>

Please be informed that the data shown in this PDF document is generated from our Online Catalog. Please find the complete data in the user documentation. Our General Terms of Use for Downloads are valid.



PCB connector, nominal cross section: 1 mm², color: green, nominal current: 8 A, rated voltage (III/2): 160 V, type of contact: Socket, number of potentials: 9, number of rows: 1, number of positions: 9, number of connections: 9, product range: MCC 1/..-STZF, pitch: 3.81 mm, connection method: Crimp connection, conductor/PCB connection direction: 0 °, plug-in system: COMBICON MC 1,5, locking: Screw locking, mounting: Screw flange, type of packaging: packed in cardboard, Corresponding female crimp contacts with current [A] and conductor cross section range [mm²] data: 5A/MCC-MT 0,2-0,35 (1859988); 8A/MCC-MT 0,5-1,0 (1859991)

Your advantages

- Inexpensive connection of large quantities of pre-assembled conductors
- Screwable flange for superior mechanical stability
- Pull-out aid facilitates handling and allows the tensile force to be reduced at the contact point

Commercial Data

Item number	1852435
Packing unit	50 pc
Minimum order quantity	50 pc
Note	Made to Order (non-returnable)
Sales Key	AAB
Product Key	AABCAB
Catalog Page	Page 207 (C-1-2013)
GTIN	4017918125844
Weight per Piece (including packing)	3.5 g
Weight per Piece (excluding packing)	3.5 g
Customs tariff number	85389099
Country of origin	PL

MCC 1/ 9-STZF-3,81 - PCB connector



1852435

<https://www.phoenixcontact.com/in/products/1852435>

Technical Data

Product properties

Type	Standard
Product line	COMBICON Connectors S
Product type	PCB plug
Product family	MCC 1/..-STZF
Number of positions	9
Pitch	3.81 mm
Number of connections	9
Number of rows	1
Mounting flange	Screw flange
Number of potentials	9

Electrical properties

Nominal current I_N	8 A
Nominal voltage U_N	160 V
Degree of pollution	3
Rated voltage (III/3)	160 V
Rated surge voltage (III/3)	2.5 kV
Rated voltage (III/2)	160 V
Rated surge voltage (III/2)	2.5 kV
Rated voltage (II/2)	320 V
Rated surge voltage (II/2)	2.5 kV

Connection data

Connection technology

Type	Standard
Connector system	COMBICON MC 1,5
Nominal cross section	1 mm ²
Type of contact	Socket

Interlock

Locking type	Screw locking
Mounting flange	Screw flange

Conductor connection

Connection method	Crimp connection
Conductor/PCB connection direction	0 °
Conductor cross section flexible	0.2 mm ² ... 1 mm ²
Conductor cross section AWG	24 ... 18

Material specifications

MCC 1/ 9-STZF-3,81 - PCB connector

1852435

<https://www.phoenixcontact.com/in/products/1852435>

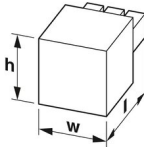
Material data - housing

Color (Housing)	green (6021)
Insulating material	PA
Insulating material group	I
CTI according to IEC 60112	600
Flammability rating according to UL 94	V0
Glow wire flammability index GWFI according to EN 60695-2-12	850
Glow wire ignition temperature GWIT according to EN 60695-2-13	775
Temperature for the ball pressure test according to EN 60695-10-2	125 °C

Material data – actuating element

Color ()	()
-----------	-----

Dimensions

Dimensional drawing	
Pitch	3.81 mm
Width [w]	44.68 mm
Height [h]	8.7 mm
Length [l]	23.1 mm

Environmental and real-life conditions

Ambient conditions

Ambient temperature (operation)	-40 °C ... 100 °C (dependent on the derating curve)
Ambient temperature (storage/transport)	-40 °C ... 70 °C
Relative humidity (storage/transport)	30 % ... 70 %
Ambient temperature (assembly)	-5 °C ... 100 °C

Electrical tests

Air clearances and creepage distances |

Insulating material group	I
Rated insulation voltage (III/3)	160 V
Rated surge voltage (III/3)	2.5 kV
Rated insulation voltage (III/2)	160 V
Rated surge voltage (III/2)	2.5 kV
Rated insulation voltage (II/2)	320 V
Rated surge voltage (II/2)	2.5 kV

MCC 1/ 9-STZF-3,81 - PCB connector



1852435

<https://www.phoenixcontact.com/in/products/1852435>

Packaging specifications

Type of packaging
packed in cardboard

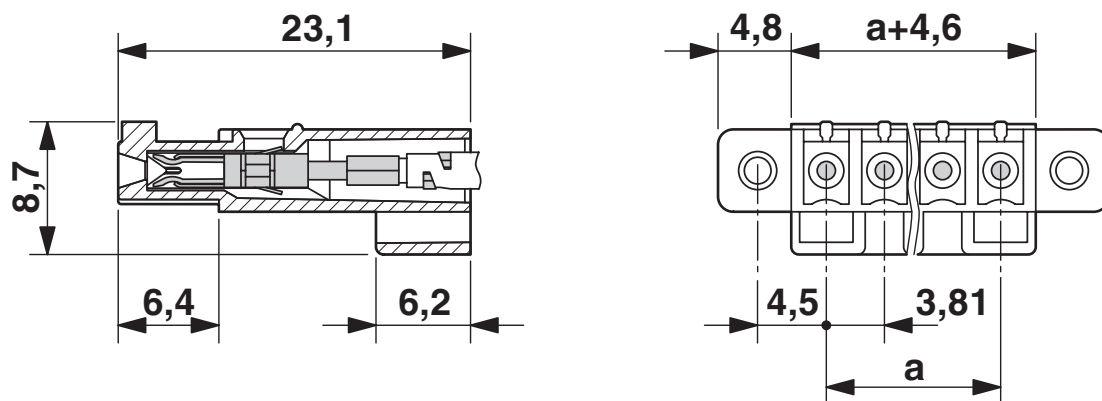
MCC 1/ 9-STZF-3,81 - PCB connector

1852435

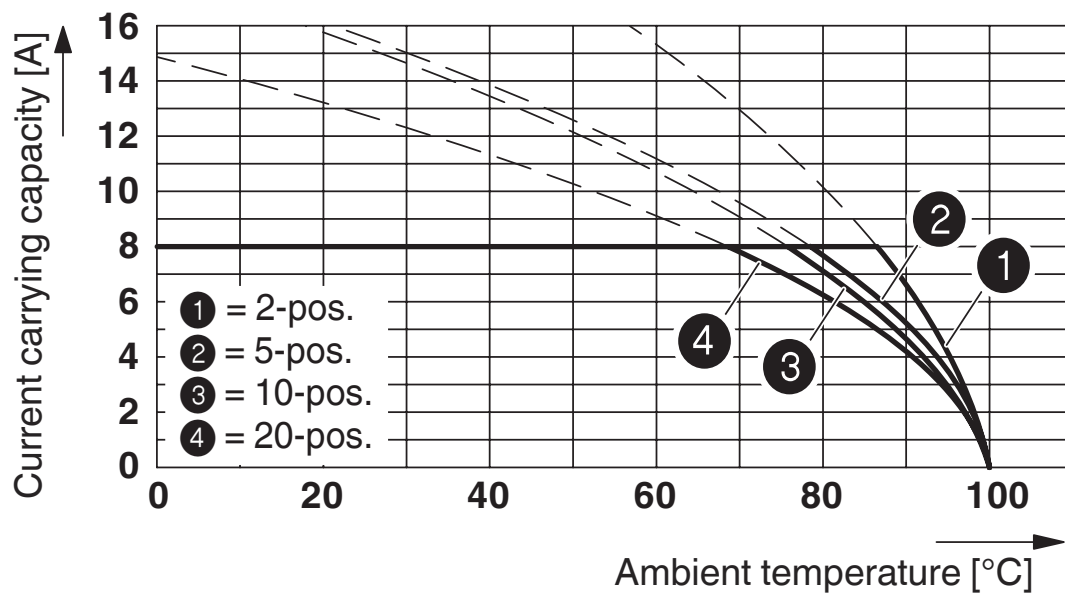
<https://www.phoenixcontact.com/in/products/1852435>

Drawings

Dimensional drawing



Diagram



Type: MCC 1/...-ST-3,81 with MC 1,5/...-G-3,81; contact: MCC-MT 0,5 - 1,0

MCC 1/ 9-STZF-3,81 - PCB connector



1852435

<https://www.phoenixcontact.com/in/products/1852435>

Approvals



EAC

Approval ID: B.01687



cULus Recognized

Approval ID: E60425-20110128

	Nominal Voltage U_N	Nominal Current I_N	Cross Section AWG	Cross Section mm^2
	300 V	5 A	24 - 22	-
	300 V	5 A	24 - 22	-

MCC 1/ 9-STZF-3,81 - PCB connector



1852435

<https://www.phoenixcontact.com/in/products/1852435>

Classifications

ECLASS

ECLASS-11.0	27460202
ECLASS-12.0	27460202
ECLASS-13.0	27460202

ETIM

ETIM 8.0	EC002638
----------	----------

UNSPSC

UNSPSC 21.0	39121400
-------------	----------

MCC 1/ 9-STZF-3,81 - PCB connector



1852435

<https://www.phoenixcontact.com/in/products/1852435>

Environmental Product Compliance

China RoHS	Environmentally friendly use period: unlimited = EFUP-e
	No hazardous substances above threshold values

MCC 1/ 9-STZF-3,81 - PCB connector



1852435

<https://www.phoenixcontact.com/in/products/1852435>

Accessories

MCC-MT 0,2-0,35 - Crimp contact

1859988

<https://www.phoenixcontact.com/in/products/1859988>



Female contact, is inserted into the plug after crimping the conductor, for the module plug housing MCC 1...-STZ-3,81 and MCC 1...-STZF-3,81, for cross sections of 0.2 mm^2 to 0.34 mm^2

MCC-MT 0,5-1,0 - Crimp contact

1859991

<https://www.phoenixcontact.com/in/products/1859991>



Female contact, is inserted into the plug after crimping the conductor, for the module plug housing MCC 1...-STZ-3,81 and MCC 1...-STZF-3,81, for cross sections of 0.5 mm^2 to 1 mm^2

MCC 1/ 9-STZF-3,81 - PCB connector

1852435

<https://www.phoenixcontact.com/in/products/1852435>



CRIMPFOX-1,6-ER-1,50-GH - Crimping pliers

1772793

<https://www.phoenixcontact.com/in/products/1772793>



Crimping pliers, for IBS DSUB.../C

SZS 0,4X2,5 VDE - Screwdriver

1205037

<https://www.phoenixcontact.com/in/products/1205037>



Screwdriver, slot-headed, VDE insulated, size: 0.4 x 2.5 x 80 mm, 2-component grip, with non-slip grip

MCC 1/ 9-STZF-3,81 - PCB connector

1852435

<https://www.phoenixcontact.com/in/products/1852435>

STZ 2-PCC 4-7,62 - Strain relief

1840214

<https://www.phoenixcontact.com/in/products/1840214>



Strain relief, for the 3 to 4-position MCC 1/...STZ-3,81 and MCC 1/...STZF-3,81 plugs, for snapping into the latching chambers, can be labeled with ZB 6

STZ 3-PCC 4-7,62 - Strain relief

1840227

<https://www.phoenixcontact.com/in/products/1840227>



Strain relief, for the 5 to 10-position MCC 1/...STZ-3,81 and MCC 1/...STZF-3,81 plugs, for snapping into the latching chambers, can be labeled with ZB 6

MCC 1/ 9-STZF-3,81 - PCB connector

1852435

<https://www.phoenixcontact.com/in/products/1852435>

STZ 5-PCC 4-7,62 GN - Strain relief

1842005

<https://www.phoenixcontact.com/in/products/1842005>



Strain relief, for the 11 to 15-position MCC 1/...STZ-3,81 and MCC 1/...STZF-3,81 plugs, for snapping into the latching chambers, can be labeled with ZB 6

STZ 8-PCC 4-7,62 - Strain relief

1840230

<https://www.phoenixcontact.com/in/products/1840230>



Strain relief, for the 16 to 20-position MCC 1/...STZ-3,81 and MCC 1/...STZF-3,81 plugs, for snapping into the latching chambers, can be labeled with ZB 6

MCC 1/ 9-STZF-3,81 - PCB connector

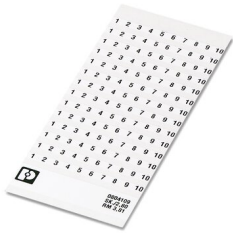
1852435

<https://www.phoenixcontact.com/in/products/1852435>

SK 3,81/2,8:FORTL.ZAHLEN - Marker card

0804109

<https://www.phoenixcontact.com/in/products/0804109>



Marker card, white, labeled, horizontal: consecutive numbers 1 ... 10, 11 ... 20, etc. up to 91 ... (99)100, mounting type: adhesive, for terminal block width: 3.81 mm, lettering field size: 3.81 x 2.8 mm

MCC-MT 0,2-0,35 (0,0) BA - Crimp contact

1923717

<https://www.phoenixcontact.com/in/products/1923717>



Female contact, is inserted into the plug after crimping the conductor, for the module plug housing MCC 1...-STZ-3,81 and MCC 1...-STZF-3,81, for cross sections of 0.2 mm² to 0.34 mm²

MCC 1/ 9-STZF-3,81 - PCB connector

1852435

<https://www.phoenixcontact.com/in/products/1852435>



MCC-MT 0,5-1,0 BAND - Crimp contact

1898622

<https://www.phoenixcontact.com/in/products/1898622>

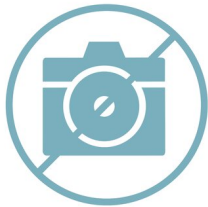


Female contact, is inserted into the plug after crimping the conductor, for the module plug housing MCC 1...-STZ-3,81 and MCC 1...-STZF-3,81, for cross sections of 0.5 mm² to 1 mm²

MCV 1,5/ 9-GF-3,81 P14 THR - PCB header

1707285

<https://www.phoenixcontact.com/in/products/1707285>



PCB headers, nominal cross section: 1.5 mm², color: black, nominal current: 8 A, rated voltage (III/2): 160 V, contact surface: Tin, type of contact: Pin, number of potentials: 9, number of rows: 1, number of positions: 9, number of connections: 9, product range: MCV 1,5/...-GF-THR, pitch: 3.81 mm, mounting: THR soldering, pin layout: Linear pinning, solder pin [P]: 1.4 mm, number of solder pins per potential: 1, plug-in system: COMBICON MC 1,5, Pin connector pattern alignment: Standard, locking: Screw locking, mounting: Threaded flange, type of packaging: packed in cardboard, For user information and design recommendations for through-hole reflow technology, go to: Downloads

MCC 1/ 9-STZF-3,81 - PCB connector



1852435

<https://www.phoenixcontact.com/in/products/1852435>

MCV 1,5/ 9-GF-3,81 P26 THR - PCB header

1707706

<https://www.phoenixcontact.com/in/products/1707706>



PCB headers, nominal cross section: 1.5 mm², color: black, nominal current: 8 A, rated voltage (III/2): 160 V, contact surface: Tin, type of contact: Pin, number of potentials: 9, number of rows: 1, number of positions: 9, number of connections: 9, product range: MCV 1,5/...-GF-THR, pitch: 3.81 mm, mounting: THR soldering, pin layout: Linear pinning, solder pin [P]: 2.6 mm, number of solder pins per potential: 1, plug-in system: COMBICON MC 1,5, Pin connector pattern alignment: Standard, locking: Screw locking, mounting: Threaded flange, type of packaging: packed in cardboard, For user information and design recommendations for through-hole reflow technology, go to: Downloads

MCD 1,5/ 9-G1F-3,81 - PCB header

1842982

<https://www.phoenixcontact.com/in/products/1842982>



PCB headers, nominal cross section: 1.5 mm², color: green, nominal current: 8 A, rated voltage (III/2): 160 V, contact surface: Tin, type of contact: Pin, number of potentials: 18, number of rows: 2, number of positions: 9, number of connections: 18, product range: MCD 1,5/...-G1F, pitch: 3.81 mm, mounting: Wave soldering, pin layout: Linear pinning, solder pin [P]: 3.5 mm, number of solder pins per potential: 1, plug-in system: COMBICON MC 1,5, Pin connector pattern alignment: Standard, locking: Screw locking, mounting: Threaded flange, type of packaging: packed in cardboard, In combination with MCV plug components, both an MCVW and an MCVR plug must be used.

Phoenix Contact 2023 © - all rights reserved
<https://www.phoenixcontact.com>

PHOENIX CONTACT (I) Pvt. Ltd.
A-58/2, Okhla Industrial Area, Phase - II, New Delhi-110 020

+91.1275.71420
info@phoenixcontact.co.in