

C-RC 2,5/M3 DIN - Ring cable lug

3240076

<https://www.phoenixcontact.com/in/products/3240076>

Please be informed that the data shown in this PDF document is generated from our Online Catalog. Please find the complete data in the user documentation. Our General Terms of Use for Downloads are valid.



Ring cable lug, non-insulated, 1.1 ... 2.5 mm², M3

Your advantages

- The CRIMPFOX-RC... tools from our CRIMPFOX range of crimping pliers are available for optimum crimping
- The hard-soldered press zone enables maximum conductor pull-out values to be achieved
- The ring cable lugs without plastic sleeve are made from high-quality tin-plated electrolytic copper for maximum protection against corrosion

Commercial Data

| | |
|--------------------------------------|---------------------|
| Item number | 3240076 |
| Packing unit | 100 pc |
| Minimum order quantity | 100 pc |
| Sales Key | BH3 |
| Product Key | BH3422 |
| Catalog Page | Page 490 (C-3-2019) |
| GTIN | 4046356452939 |
| Weight per Piece (including packing) | 0.636 g |
| Weight per Piece (excluding packing) | 0.636 g |
| Customs tariff number | 85369010 |
| Country of origin | CN |

C-RC 2,5/M3 DIN - Ring cable lug

3240076

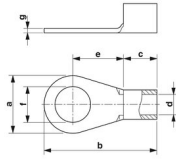
<https://www.phoenixcontact.com/in/products/3240076>

Technical Data

Product properties

| | |
|--------------|-----------|
| Product type | Connector |
|--------------|-----------|

Dimensions

| | |
|--|--|
| Dimensional drawing |  |
| Width | 6 mm |
| Length | 14 mm |
| Length of the insulating material sleeve | 5 mm |
| Maximum stripping length | 8 mm |
| Distance from the center to the insulating material sleeve | 6 mm |
| Min. material thickness | 0.8 mm |
| Inner dimensions of the insulating collar | 2.3 mm |

Internal dimensions

| | |
|-------------------|--------|
| Internal diameter | 3.2 mm |
|-------------------|--------|

Material specifications

| | |
|----------|------------|
| Color | silver |
| Material | Copper |
| Coating | tin-plated |

Environmental and real-life conditions

Ambient conditions

| | |
|---------------------------------|--------|
| Ambient temperature (operation) | 110 °C |
|---------------------------------|--------|

Standards and regulations

| | |
|------------------------------|-----------|
| Design according to standard | DIN 46234 |
|------------------------------|-----------|

C-RC 2,5/M3 DIN - Ring cable lug

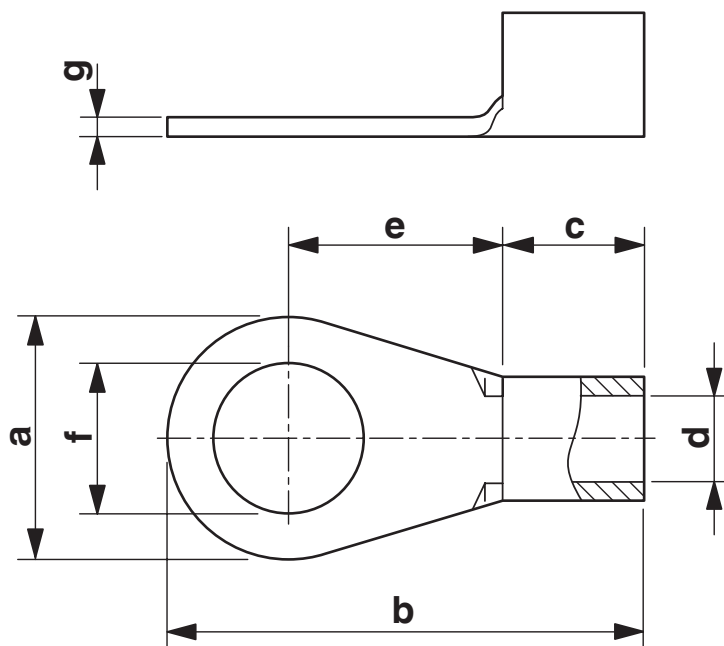
3240076

<https://www.phoenixcontact.com/in/products/3240076>



Drawings

Dimensional drawing



C-RC 2,5/M3 DIN - Ring cable lug

3240076

<https://www.phoenixcontact.com/in/products/3240076>



Classifications

ECLASS

ECLASS-11.0

27400204

ETIM

ETIM 8.0

EC001052

UNSPSC

UNSPSC 21.0

27121700

C-RC 2,5/M3 DIN - Ring cable lug



3240076

<https://www.phoenixcontact.com/in/products/3240076>

Environmental Product Compliance

| | |
|------------|---|
| China RoHS | Environmentally friendly use period: unlimited = EFUP-e |
| | No hazardous substances above threshold values |

Phoenix Contact 2023 © - all rights reserved
<https://www.phoenixcontact.com>

PHOENIX CONTACT (I) Pvt. Ltd.
A-58/2, Okhla Industrial Area, Phase - II, New Delhi-110 020

+91.1275.71420
info@phoenixcontact.co.in