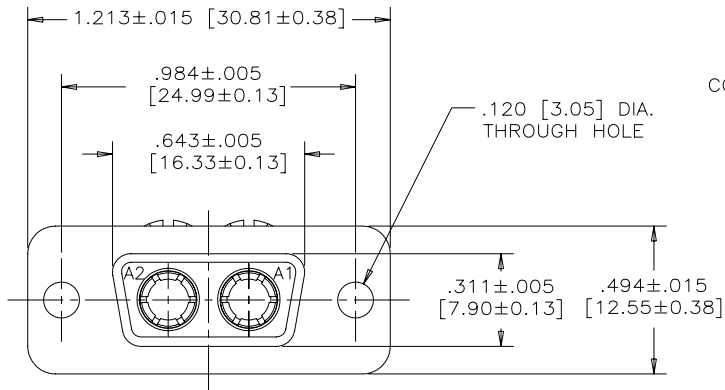
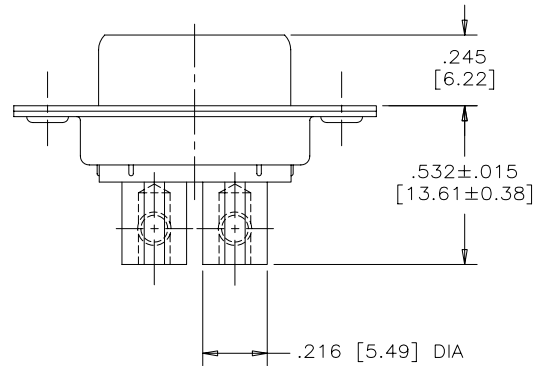
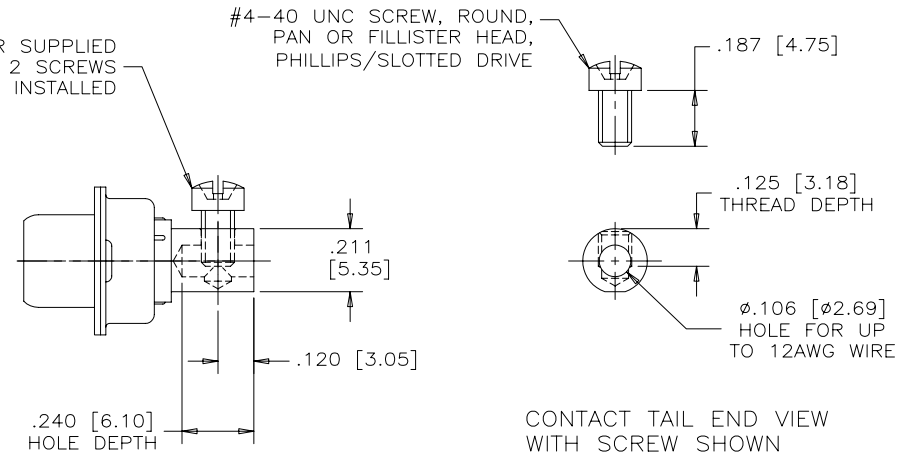


REVISIONS			
REV	DESCRIPTION	DATE	APPRD.
A	PROPOSAL DRAWING (EAR 13120)	MAY17/07	K.L.



CONNECTOR SUPPLIED WITH 2 SCREWS INSTALLED

#4-40 UNC SCREW, ROUND, PAN OR FILLISTER HEAD, PHILLIPS/SLOTTED DRIVE



CONTACT TAIL END VIEW WITH SCREW SHOWN

NOTES:

- MATERIALS:** ALL MATERIALS ARE RoHS COMPLIANT PER EU DIRECTIVE 2002/95/EC AND AMENDMENTS.
- SHELLS:** STAMPED STEEL, TIN PLATED.
- INSERT:** HIGH TEMPERATURE RESISTANT THERMOPLASTIC, GLASS REINFORCED, FLAMMABILITY RATING UL94V-0, BLACK.
- CONTACT:** COPPER ALLOY, 30µ" [0.76 MICRONS] GOLD PLATED OVER 50µ" [1.27 MICRONS] MINIMUM NICKEL.
- SCREWS:** STEEL, NICKEL OR ZINC PLATED OR STAINLESS STEEL.
- CONTACT RESISTANCE:** 5 MILLIOHMS MAX.
- CURRENT RATING:** 20 AMPERES MAX.
- INSULATION RESISTANCE:** 3000 MEGAOHMS MIN.

ORDERING CODE: F C E 1 7 - E 2 W 2 S S - 2 N 0

- SERIES** _____
- SHELL SIZE & ARRANGEMENT** _____
- SOCKET CONNECTOR STYLE** _____
- SCREW TERMINATION FOR 12AWG WIRE** _____
- MODIFIER**
0=STANDARD
- FILTER CAPACITANCE**
N=NON-FILTERED
- MOUNTING**
2=.120 [3.05] DIA. THROUGH HOLE



DRAWN	K. LAMBIE	DATE	MAY17/07
CHECKED			
DESIGNED			
APPROVED			
INDUSTRIAL ENG. APPRD.			
ENGINEERING RELEASE NO.			

Amphenol Canada Corp.

FCE17 SERIES COMBO D-SUB CONNECTOR, 2W2 ARRANGEMENT, SOCKET POWER CONTACTS, SCREW TERMINATION FOR 12AWG WIRE, THROUGH HOLE MOUNTING, NON-FILTERED, RoHS COMPLIANT

REF.	EAR 13120
DIMENSIONS ARE IN	CODE IDENT. NO.
INCHES [mm]	03554

DWG	DRAWING NO.	REV.
C	P-FCE17-E2W2SS-2N0	A
SCALE	3/1	WT. -----
SURF.	-----	SHEET 1 of 1

THIS DOCUMENT CONTAINS PROPRIETARY INFORMATION AND SUCH INFORMATION MAY NOT BE DISCLOSED TO OTHERS FOR ANY PURPOSE OR USED FOR MANUFACTURING PURPOSES WITHOUT WRITTEN PERMISSION FROM AMPHENOL CANADA CORP.