

EH 52,5 F-B/ABS BK9005 - Mounting base housing

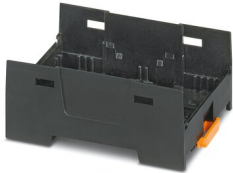


2201817

<https://www.phoenixcontact.com/in/products/2201817>

Please be informed that the data shown in this PDF document is generated from our Online Catalog. Please find the complete data in the user documentation. Our General Terms of Use for Downloads are valid.

DIN rail housing, Lower housing part with base latch, flat design, width: 52.6 mm, height: 75 mm, depth: 30.3 mm, color: black (9005)



Your advantages

- DIN rail or wall mounting for application-specific device attachment
- Easy design-in, thanks to variable housing form factor
- Complete flexibility, thanks to PCBs with horizontal, frontal, and orthogonal orientation to the front of the device
- Three cover versions for individual PCB connections
- Integration of a wide variety of PCB connection technologies for a functional device design

Commercial Data

Item number	2201817
Packing unit	10 pc
Minimum order quantity	10 pc
Sales Key	ACH
Product Key	ACHCHB
GTIN	4046356911733
Weight per Piece (including packing)	21.22 g
Weight per Piece (excluding packing)	21.22 g
Customs tariff number	85472000
Country of origin	IN

2201817

<https://www.phoenixcontact.com/in/products/2201817>

Technical Data

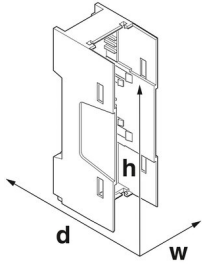
Notes

Assembly instruction:	Refer to the data sheet for the range in the download area.
-----------------------	---

Product properties

Product type	Lower part of the housing
Product family	EH...F-B
Type	Lower housing part with base latch, flat design
Housing type	DIN rail housing
Ventilation openings present	no
Housing series	EH

Dimensions

Dimensional drawing	
Width	52.6 mm
Height	75 mm
Depth	30.3 mm
Depth from top edge of DIN rail to support point on upper part	26 mm

PCB design

PCB thickness	1.4 mm ... 1.8 mm
---------------	-------------------

Material specifications

Color	black (9005)
Flammability rating according to UL 94	HB
Surface characteristics	untreated
Housing material	ABS

Environmental and real-life conditions

Vibration test

Specification	IEC 60068-2-6:2007-12
Frequency	10 - 150 - 10 Hz
Sweep speed	1 octave/min
Amplitude	0.15 mm (10 Hz ... 58.1 Hz)
Acceleration	2g (58.1 Hz ... 150 Hz)

EH 52,5 F-B/ABS BK9005 - Mounting base housing



2201817

<https://www.phoenixcontact.com/in/products/2201817>

Test duration per axis	2.5 h
Test directions	X-, Y- and Z-axis

Glow-wire test

Specification	IEC 60695-2-11:2014-02
Temperature	850 °C
Time of exposure	30 s

Thermal stability / ball thrust test

Specification	IEC 60695-10-2:2014-02
Temperature	80 °C
Test duration	1 h
Force	20 N

Mechanical strength / tumbling barrel

Specification	IEC 60998-1:2002-12
Height of fall	50 cm
Frequency	10

Shocks

Specification	IEC 60068-2-27:2008-02
Pulse shape	Half-sine
Acceleration	15g
Shock duration	11 ms
Number of shocks per direction	3
Test directions	X-, Y- and Z-axis (pos. and neg.)

Degree of protection (IP code)

Specification	IEC 60529:1989-11 + AMD 1:1999-11 + AMD 2:2013-08
---------------	---

Ambient conditions

Max. IP code to attain	IP20
Ambient temperature (operation)	-40 °C ... 80 °C (depending on power dissipation)
Ambient temperature (storage/transport)	-40 °C ... 55 °C
Ambient temperature (assembly)	-5 °C ... 80 °C
Relative humidity (storage/transport)	95 %

PCB data

Type of PCB mount	Latching
Thickness of the PCB	1.4 mm ... 1.8 mm

Mounting

Mounting type	DIN rail mounting/wall mounting (with optional base latch)
Mounting position	Vertical (horizontal DIN rail)

Packaging specifications

Type of packaging	packed in cardboard
-------------------	---------------------

EH 52,5 F-B/ABS BK9005 - Mounting base housing



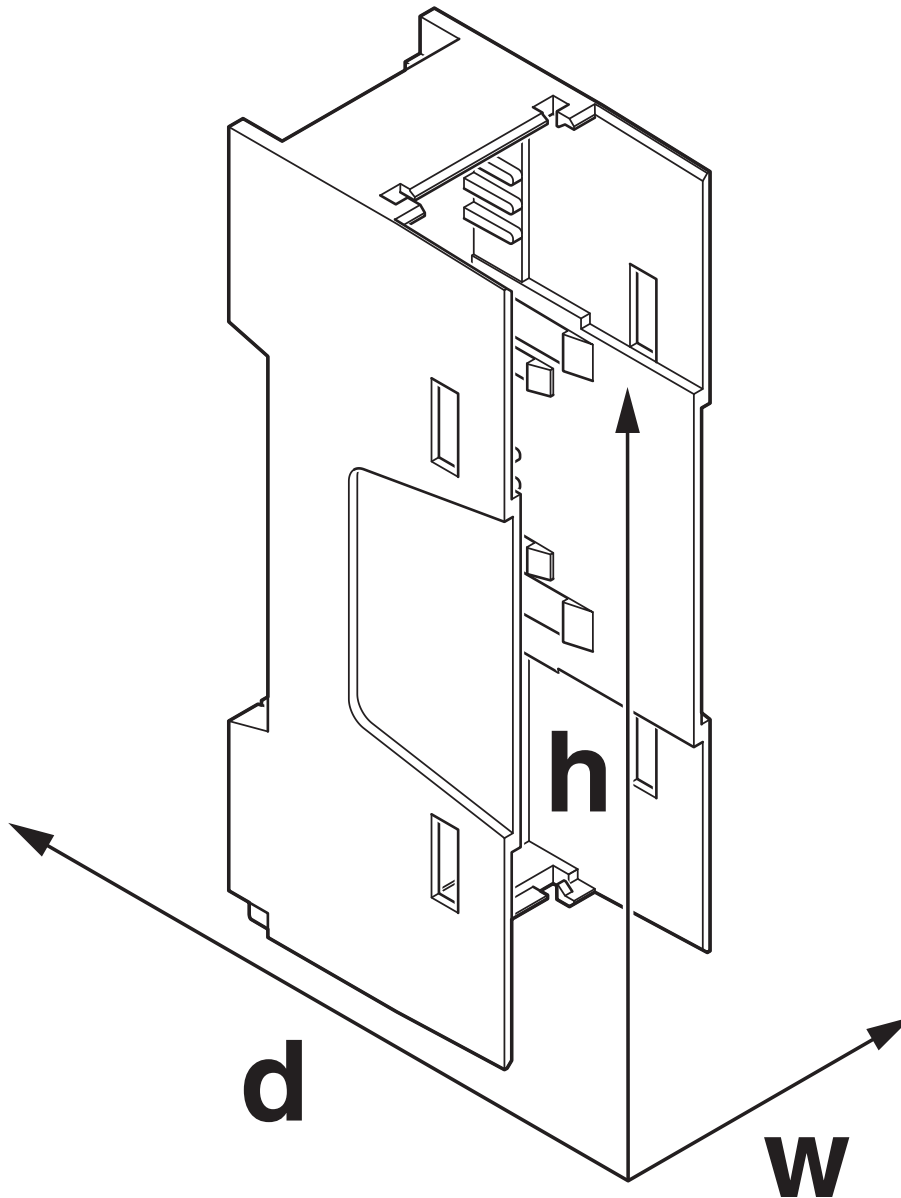
2201817

<https://www.phoenixcontact.com/in/products/2201817>

Outer packaging type	Carton
----------------------	--------

Drawings

Dimensional drawing



Schematic figure for illustrating the item dimensions. The figure is not of the desired product. For further details, refer to the product drawings in the "Downloads" tab.

EH 52,5 F-B/ABS BK9005 - Mounting base housing



2201817

<https://www.phoenixcontact.com/in/products/2201817>

Approvals



EAC

Approval ID: B.01687



UL Recognized

Approval ID: FILE E 240868

EH 52,5 F-B/ABS BK9005 - Mounting base housing



2201817

<https://www.phoenixcontact.com/in/products/2201817>

Classifications

ECLASS

ECLASS-11.0

27182702

ETIM

ETIM 8.0

EC001031

UNSPSC

UNSPSC 21.0

31261500

EH 52,5 F-B/ABS BK9005 - Mounting base housing



2201817

<https://www.phoenixcontact.com/in/products/2201817>

Environmental Product Compliance

China RoHS	Environmentally friendly use period: unlimited = EFUP-e
	No hazardous substances above threshold values

EH 52,5 F-B/ABS BK9005 - Mounting base housing



2201817

<https://www.phoenixcontact.com/in/products/2201817>

Mandatory Accessories

EH 52,5 F-C CS/ABS BK9005 - Upper part of housing

2201834

<https://www.phoenixcontact.com/in/products/2201834>



DIN rail housing, Upper housing part, flat design, no connection opening, width: 52.6 mm, height: 74.65 mm, depth: 36.95 mm, color: black (9005)

EH 52,5 F-C CS/ABS GY7035 - Upper part of housing

2201835

<https://www.phoenixcontact.com/in/products/2201835>



DIN rail housing, Upper housing part, flat design, no connection opening, width: 52.6 mm, height: 74.65 mm, depth: 36.95 mm, color: light grey (7035)

EH 52,5 F-B/ABS BK9005 - Mounting base housing

2201817

<https://www.phoenixcontact.com/in/products/2201817>

EH 52,5 F-C DS/ABS BK9005 - Upper part of housing

2201828

<https://www.phoenixcontact.com/in/products/2201828>



DIN rail housing, Upper housing part, flat design, connection opening on both sides, width: 52.6 mm, height: 74.65 mm, depth: 36.95 mm, color: black (9005)

EH 52,5 F-C DS/ABS GY7035 - Upper part of housing

2201829

<https://www.phoenixcontact.com/in/products/2201829>



DIN rail housing, Upper housing part, flat design, connection opening on both sides, width: 52.6 mm, height: 74.65 mm, depth: 36.95 mm, color: light grey (7035)

EH 52,5 F-B/ABS BK9005 - Mounting base housing

2201817

<https://www.phoenixcontact.com/in/products/2201817>

EH 52,5 F-C SS/ABS BK9005 - Upper part of housing

2201823

<https://www.phoenixcontact.com/in/products/2201823>



DIN rail housing, Upper housing part, flat design, connection opening on one side, connection opening on one side, width: 52.6 mm, height: 74.65 mm, depth: 36.95 mm, color: black (9005)

EH 52,5 F-C SS/ABS GY7035 - Upper part of housing

2201822

<https://www.phoenixcontact.com/in/products/2201822>



DIN rail housing, Upper housing part, flat design, connection opening on one side, connection opening on one side, width: 52.6 mm, height: 74.65 mm, depth: 36.95 mm, color: light grey (7035)

Accessories

EH 52,5 F-B/ABS BK9005 - Mounting base housing



2201817

<https://www.phoenixcontact.com/in/products/2201817>

EH SNAPLOCK SET WALL MOUNT OG - Base latch

2202007

<https://www.phoenixcontact.com/in/products/2202007>

DIN rail housing, Base latch for wall mounting, width: 28.8 mm, height: 18.7 mm, depth: 4.15 mm, color: orange (2003)



Phoenix Contact 2023 © - all rights reserved

<https://www.phoenixcontact.com>

PHOENIX CONTACT (I) Pvt. Ltd.

A-58/2, Okhla Industrial Area, Phase - II, New Delhi-110 020

+91.1275.71420

info@phoenixcontact.co.in