

# EH 52,5-C SS/ABS GY7035 - Upper part of housing



2201747

<https://www.phoenixcontact.com/in/products/2201747>

Please be informed that the data shown in this PDF document is generated from our Online Catalog. Please find the complete data in the user documentation. Our General Terms of Use for Downloads are valid.

DIN rail housing, Upper housing part, tall design, connection opening on one side, connection opening on one side, width: 52.6 mm, height: 75 mm, depth: 36.95 mm, color: light grey (7035)



## Your advantages

- DIN rail or wall mounting for application-specific device attachment
- Easy design-in, thanks to variable housing form factor
- Complete flexibility, thanks to PCBs with horizontal, frontal, and orthogonal orientation to the front of the device
- Three cover versions for individual PCB connections
- Integration of a wide variety of PCB connection technologies for a functional device design

## Commercial Data

Item number	2201747
Packing unit	10 pc
Minimum order quantity	10 pc
Sales Key	ACH
Product Key	ACHCHC
GTIN	4046356908191
Weight per Piece (including packing)	20.6 g
Weight per Piece (excluding packing)	20.6 g
Customs tariff number	85472000
Country of origin	IN

# EH 52,5-C SS/ABS GY7035 - Upper part of housing

2201747

<https://www.phoenixcontact.com/in/products/2201747>

## Technical Data

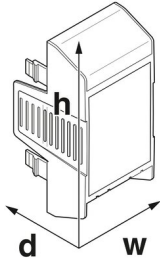
### Notes

Assembly instruction:	Refer to the data sheet for the range in the download area.
-----------------------	---

### Product properties

Product type	Upper housing part
Product family	EH...C SS
Type	Upper housing part, tall design, connection opening on one side
Housing type	DIN rail housing
Ventilation openings present	no
Housing series	EH

### Dimensions

Dimensional drawing	
Width	52.6 mm
Height	75 mm
Depth	36.95 mm
Depth from base support surface	19.95 mm

### Material specifications

Color	light grey (7035)
Flammability rating according to UL 94	HB
Surface characteristics	untreated
Housing material	ABS

### Environmental and real-life conditions

#### Vibration test

Specification	IEC 60068-2-6:2007-12
Frequency	10 - 150 - 10 Hz
Sweep speed	1 octave/min
Amplitude	0.15 mm (10 Hz ... 58.1 Hz)
Acceleration	2g (58.1 Hz ... 150 Hz)
Test duration per axis	2.5 h
Test directions	X-, Y- and Z-axis

# EH 52,5-C SS/ABS GY7035 - Upper part of housing



2201747

<https://www.phoenixcontact.com/in/products/2201747>

## Glow-wire test

Specification	IEC 60695-2-11:2014-02
Temperature	850 °C
Time of exposure	30 s

## Thermal stability / ball thrust test

Specification	IEC 60695-10-2:2014-02
Temperature	80 °C
Test duration	1 h
Force	20 N

## Mechanical strength / tumbling barrel

Specification	IEC 60998-1:2002-12
Height of fall	50 cm
Frequency	10

## Shocks

Specification	IEC 60068-2-27:2008-02
Pulse shape	Half-sine
Acceleration	15g
Shock duration	11 ms
Number of shocks per direction	3
Test directions	X-, Y- and Z-axis (pos. and neg.)

## Degree of protection (IP code)

Specification	IEC 60529:1989-11 + AMD 1:1999-11 + AMD 2:2013-08
---------------	---

## Ambient conditions

Max. IP code to attain	IP20
Ambient temperature (operation)	-40 °C ... 80 °C (depending on power dissipation)
Ambient temperature (storage/transport)	-40 °C ... 55 °C
Ambient temperature (assembly)	-5 °C ... 80 °C
Relative humidity (storage/transport)	95 %

## PCB data

Type of PCB mount	Slot
-------------------	------

## Mounting

Mounting type	Snap in
Mounting position	Vertical (horizontal DIN rail)

## Packaging specifications

Type of packaging	packed in cardboard
Outer packaging type	Carton

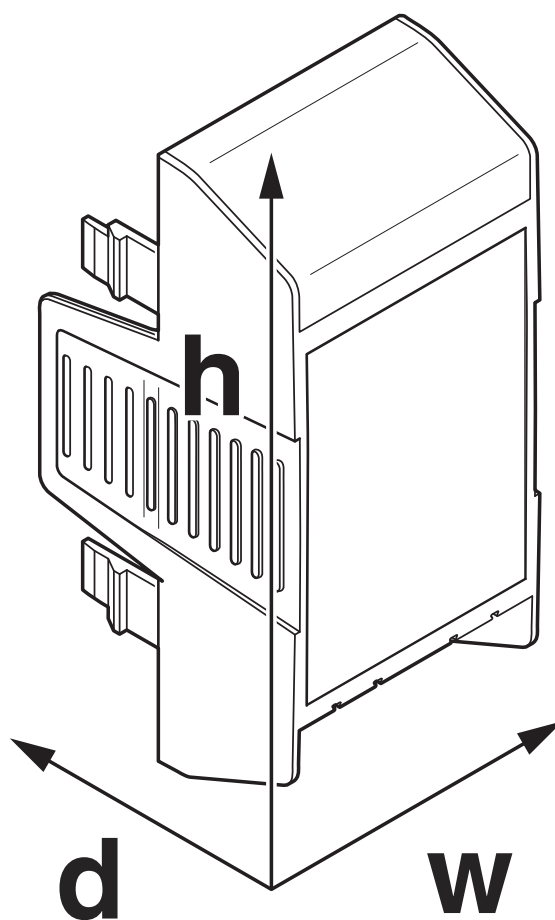
# EH 52,5-C SS/ABS GY7035 - Upper part of housing

2201747

<https://www.phoenixcontact.com/in/products/2201747>

## Drawings

Dimensional drawing



Schematic figure for illustrating the item dimensions. The figure is not of the desired product. For further details, refer to the product drawings in the "Downloads" tab.

# EH 52,5-C SS/ABS GY7035 - Upper part of housing



2201747

<https://www.phoenixcontact.com/in/products/2201747>

## Approvals



**UL Recognized**

Approval ID: FILE E 240868

# EH 52,5-C SS/ABS GY7035 - Upper part of housing



2201747

<https://www.phoenixcontact.com/in/products/2201747>

## Classifications

### ECLASS

ECLASS-11.0

27182702

### ETIM

ETIM 8.0

EC001031

### UNSPSC

UNSPSC 21.0

31261500

# EH 52,5-C SS/ABS GY7035 - Upper part of housing



2201747

<https://www.phoenixcontact.com/in/products/2201747>

## Environmental Product Compliance

China RoHS	Environmentally friendly use period: unlimited = EFUP-e No hazardous substances above threshold values
------------	---

2201747

<https://www.phoenixcontact.com/in/products/2201747>

## Mandatory Accessories

### MKDS 3/ 9-5,08 - PCB terminal block

1707331

<https://www.phoenixcontact.com/in/products/1707331>



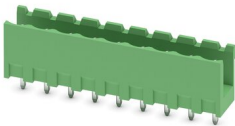
PCB terminal block, nominal current: 24 A, rated voltage (III/2): 400 V, nominal cross section: 2.5 mm<sup>2</sup>, number of potentials: 9, number of rows: 1, number of positions per row: 9, product range: MKDS 3, pitch: 5.08 mm, connection method: Screw connection with tension sleeve, screw head form: L Slotted, mounting: Wave soldering, conductor/PCB connection direction: 0 °, color: green, Pin layout: Linear pinning, Solder pin [P]: 5 mm, number of solder pins per potential: 1, type of packaging: packed in cardboard. The article can be aligned to create different nos. of positions!

---

### MSTBV 2,5/ 9-G - PCB header

1753576

<https://www.phoenixcontact.com/in/products/1753576>



PCB headers, nominal cross section: 2.5 mm<sup>2</sup>, color: green, nominal current: 12 A, rated voltage (III/2): 320 V, contact surface: Tin, type of contact: Pin, number of potentials: 9, number of rows: 1, number of positions: 9, number of connections: 9, product range: MSTBV 2,5/..-G, pitch: 5 mm, mounting: Wave soldering, pin layout: Linear pinning, solder pin [P]: 3.9 mm, number of solder pins per potential: 1, plug-in system: COMBICON MSTB 2,5, Pin connector pattern alignment: Standard, locking: without, mounting: without, type of packaging: packed in cardboard



# EH 52,5-C SS/ABS GY7035 - Upper part of housing

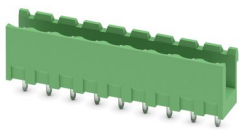
2201747

<https://www.phoenixcontact.com/in/products/2201747>

## MSTBV 2,5/ 9-G-5,08 - PCB header

1758089

<https://www.phoenixcontact.com/in/products/1758089>



PCB headers, nominal cross section: 2.5 mm<sup>2</sup>, color: green, nominal current: 12 A, rated voltage (III/2): 320 V, contact surface: Tin, type of contact: Pin, number of potentials: 9, number of rows: 1, number of positions: 9, number of connections: 9, product range: MSTBV 2,5/..-G, pitch: 5.08 mm, mounting: Wave soldering, pin layout: Linear pinning, solder pin [P]: 3.9 mm, number of solder pins per potential: 1, plug-in system: COMBICON MSTB 2,5, Pin connector pattern alignment: Standard, locking: without, mounting: without, type of packaging: packed in cardboard

---

## Accessories

### EH 17,5-FP/ABS BK9005 - Filler plugs

2201841

<https://www.phoenixcontact.com/in/products/2201841>



DIN rail housing, Filler plug for unoccupied terminal points (tall design), width: 16.3 mm, height: 19.65 mm, depth: 13.67 mm, color: black (9005)

## EH 52,5-C SS/ABS GY7035 - Upper part of housing

2201747

<https://www.phoenixcontact.com/in/products/2201747>



## EH 17,5-FP/ABS GY7035 - Filler plugs

2201840

<https://www.phoenixcontact.com/in/products/2201840>



DIN rail housing, Filler plug for unoccupied terminal points (tall design), width: 16.3 mm, height: 19.65 mm, depth: 13.67 mm, color: light grey (7035)

---

Phoenix Contact 2023 © - all rights reserved

<https://www.phoenixcontact.com>

PHOENIX CONTACT (I) Pvt. Ltd.

A-58/2, Okhla Industrial Area, Phase - II, New Delhi-110 020

+91.1275.71420

[info@phoenixcontact.co.in](mailto:info@phoenixcontact.co.in)