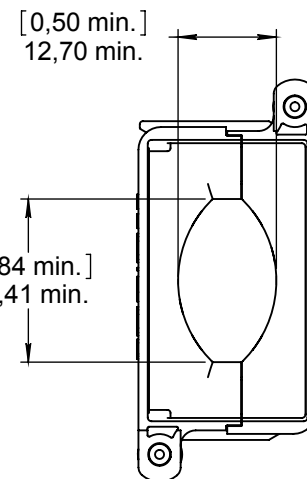
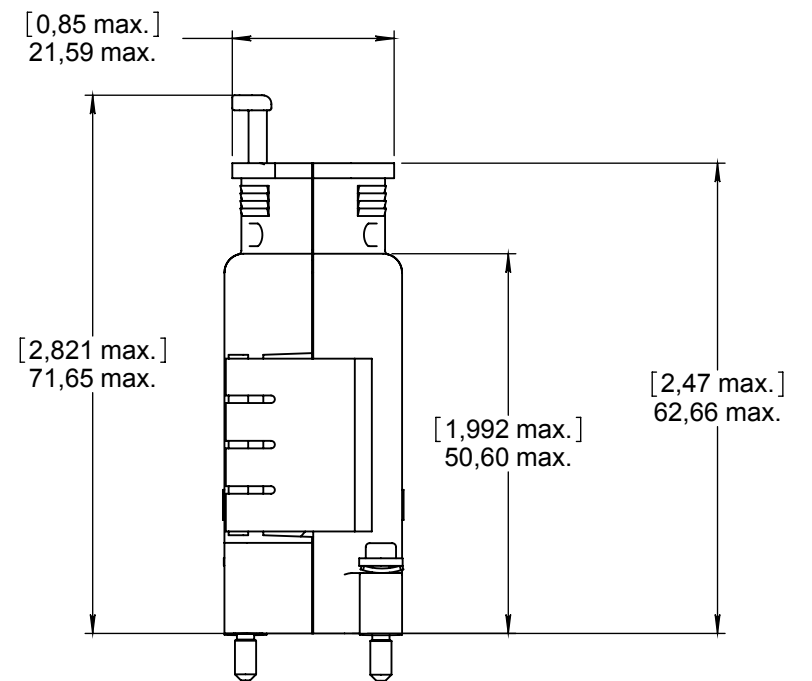
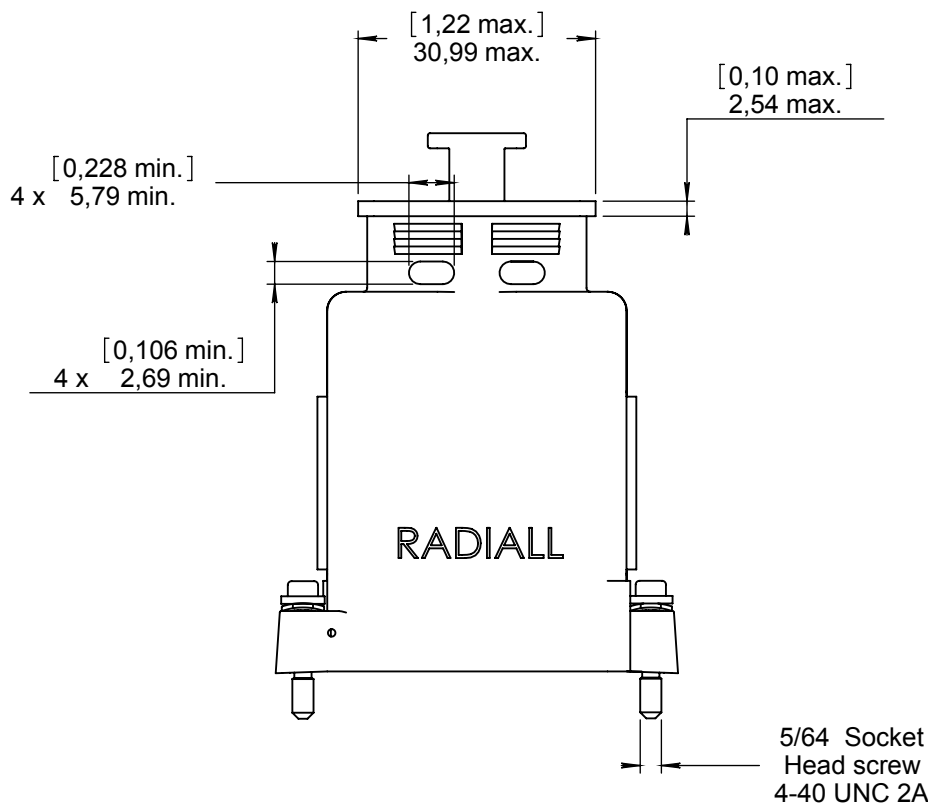
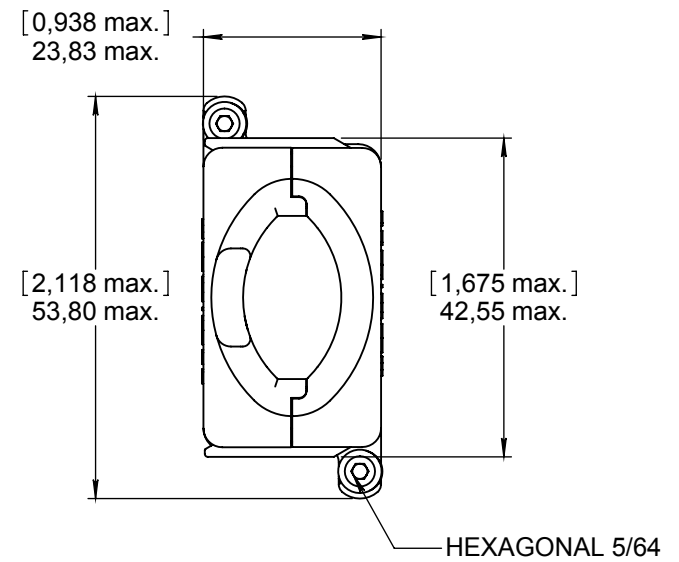
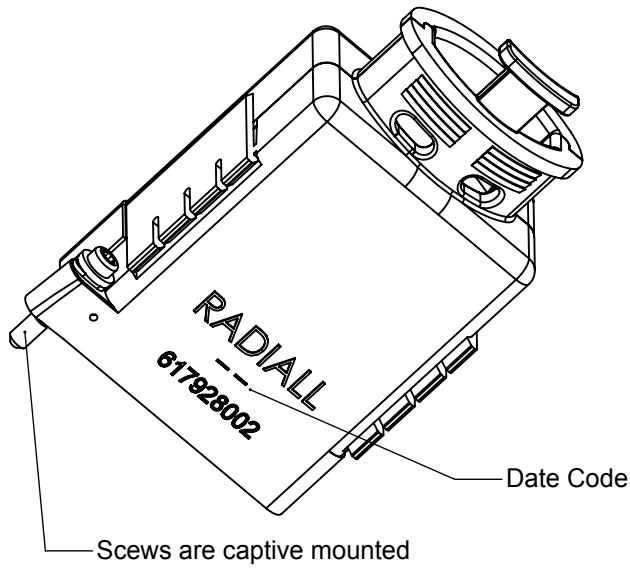


Series
EPXB

Size 1 EPXB EMI BACKSHELL

Issue:
Feb 19, 2014

Page
1/1



MATERIALS:

- BACKSHELL : HIGH GRADE THERMOPLASTIC PPS
- SCREWS : STAINLESS STEEL
- WASHER : BERYLIUM COPPER

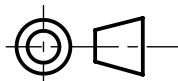
FINISH:

- BACKSHELL : NICKEL PLATED

NOTA:

- 4-40 UNC captive screws locking torque : 0,8 N.m (7 inch. pound)
- Refer to MIBS1700016 for mounting instructions.

DIMENSIONS : mm (inch are given for information only)



Estimated weight : 31.4 g

Confidential information not to be disclosed to third parties without Radiall approval. This information is given as an indication. In the continual goal to improve our products, we reserve the right to make any modifications judged necessary.

4112_9311

CREATION				
PEN: M060009454A				
NOM: REZE C	Feb 19, 2014	Dimension simplified	Ceberio	LeGloahec
DATE: Sep 09, 2007	Aug 24, 2012	Mounting instruction added	Chevreau	LeGloahec
APPR.: WADOUX P	Aug 10, 2012	Estimated weight updated	Chevreau	LeGloahec
	Sep 03, 2007	Dimensions modification	Moyon	Wadoux
	Issue	Revisions	Name	Approved

617928002EN

RADIALL PROPRIETARY INFORMATION