

Product data sheet

Specifications



Joystick controller, Harmony 9001K, metal, 30mm, 2 directions, spring return to center, 2NO

9001K71H7

Main

Range of product	Harmony 9001K
Product or component type	Joystick controller
Device short name	9001K
Sale per indivisible quantity	1
Type of operator	To centre spring return
Operator profile	80 mm long operating shaft

Complementary

Bezel material	Metal
Mounting diameter	30 mm
Net weight	0.372 kg
Operating position	Horizontal
Shape of signaling unit head	Octagonal
Contacts type and composition	2 NO
Contact operation	Standard
Contacts usage	Standard
Positive opening	Without
Connections - terminals	Screw clamp terminals, 1 x 0.22...2 x 1.5 mm ² conforming to IEC 60947-1
Tightening torque	0.8 N.m conforming to IEC 60947-1
Shape of screw head	Cross slotted
Contacts material	Silver alloy contacts
Short-circuit protection	10 A cartridge fuse conforming to IEC 60947-5-1
[I _{th}] conventional free air thermal current	10 A
[U _i] rated insulation voltage	250 V (pollution degree 3) conforming to IEC 60947-1
[U _{imp}] rated impulse withstand voltage	2.5 kV conforming to IEC 60947-1
[I _e] rated operational current	3 A at 240 V, AC-15, A600-Q600 conforming to NEMA 0.55 A at 125 V, DC-13, A600-Q600 conforming to NEMA
[I _{cm}] rated short-circuit making capacity	12 kA at 600 V AC-15, 7200 VA 15 kA at 480 V AC-15, 7200 VA 30 kA at 240 V AC-15, 7200 VA

60 kA at 120 V AC-15, 7200 VA

Rated breaking capacity	3 kA at 240 V AC-15, 720 VA 6 kA at 120 V AC-15, 720 VA 1.2 kA at 600 V AC-15, 720 VA 1.5 kA at 480 V AC-15, 720 VA 0.1 kA at 600 V DC-13 0.27 kA at 250 V DC-13 0.55 kA at 125 V DC-13
--------------------------------	---

Device presentation	Complete product
----------------------------	------------------

Environment

Protective treatment	TC
-----------------------------	----

Ambient air temperature for storage	-40...70 °C
--	-------------

Ambient air temperature for operation	-25...70 °C
--	-------------

Overvoltage category	II conforming to IEC 61140
-----------------------------	----------------------------

IP degree of protection	IP66 conforming to IEC 60529
--------------------------------	------------------------------

NEMA degree of protection	NEMA 1 NEMA 12 NEMA 13 NEMA 2 NEMA 3 NEMA 3R NEMA 4
----------------------------------	---

Standards	EN/IEC 60947-5-4 JIS C8201-5-1 UL 508 JIS C 852 EN/IEC 60947-1 CSA C22.2 No 14 EN/IEC 60947-5-1 JIS C8201-1
------------------	--

Product certifications	UL 508 NEMA
-------------------------------	----------------

Vibration resistance	7 gn (f= 2...500 Hz) conforming to IEC 60068-2-6
-----------------------------	--

Shock resistance	50 gn conforming to IEC 60068-2-27
-------------------------	------------------------------------

Packing Units

Unit Type of Package 1	PCE
-------------------------------	-----

Number of Units in Package 1	1
-------------------------------------	---

Package 1 Height	5.8 cm
-------------------------	--------

Package 1 Width	5.4 cm
------------------------	--------

Package 1 Length	16.5 cm
-------------------------	---------

Package 1 Weight	290 g
-------------------------	-------

Unit Type of Package 2	S03
-------------------------------	-----

Number of Units in Package 2	24
-------------------------------------	----

Package 2 Height	30 cm
-------------------------	-------

Package 2 Width	30 cm
------------------------	-------

Package 2 Length	40 cm
-------------------------	-------

Package 2 Weight	7.793 kg
-------------------------	----------

Unit Type of Package 3	P06
-------------------------------	-----

Number of Units in Package 3	192
-------------------------------------	-----

Package 3 Height	75 cm
-------------------------	-------

Package 3 Width	80 cm
------------------------	-------

Package 3 Length	60 cm
Package 3 Weight	77.4 kg

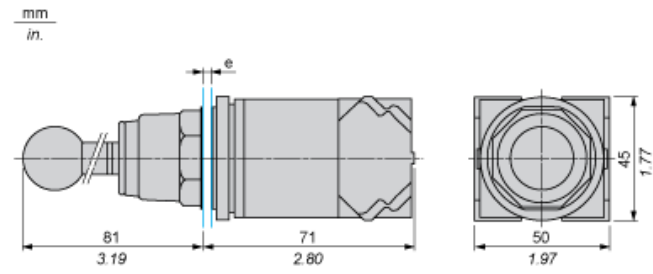
Offer Sustainability

Sustainable offer status	Green Premium product
REACH Regulation	REACH Declaration
EU RoHS Directive	Pro-active compliance (Product out of EU RoHS legal scope) EU RoHS Declaration
Mercury free	Yes
China RoHS Regulation	China RoHS declaration
RoHS exemption information	Yes
Environmental Disclosure	Product Environmental Profile
WEEE	The product must be disposed on European Union markets following specific waste collection and never end up in rubbish bins
California proposition 65	WARNING: This product can expose you to chemicals including: Lead and lead compounds, which is known to the State of California to cause cancer and birth defects or other reproductive harm. For more information go to www.P65Warnings.ca.gov

Contractual warranty

Warranty	18 months
----------	-----------

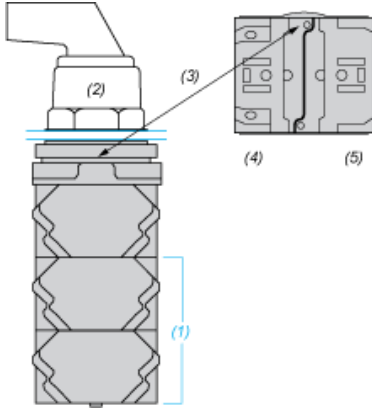
Dimensions



e panel thickness: 1 to 6 mm / 0.04 to 0.24 in.

Contact Block Mounting Position

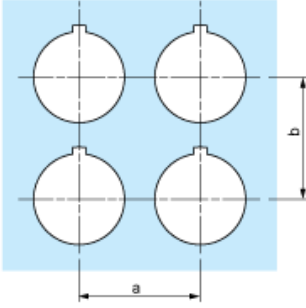
Top and Rear views



- (1) It is possible to mount up to 3 levels of contacts blocks (maximum of 6 contacts blocks)
- (2) Operator
- (3) Locating notch
- (4) Side 1
- (5) Side 2

Panel Cut-Out

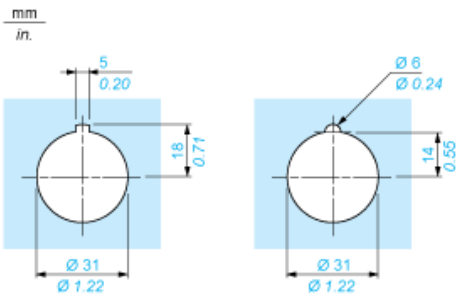
Clearance



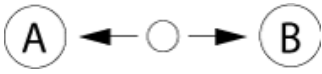
Legend plate	a min.		b min.	
	mm	in.	mm	in.
9001KN2**	57.2	2.25	44.5	1.75
9001KN3**	57.2	2.25	50.8	2.00

Individual Cut-outs Details

2 alternatives



Joystick Positions



Recommended replacement(s)