

# WCC 22 - Cable clamp

3240254

<https://www.phoenixcontact.com/in/products/3240254>

Please be informed that the data shown in this PDF document is generated from our Online Catalog. Please find the complete data in the user documentation. Our General Terms of Use for Downloads are valid.

Cable clamp, for DIN rails



## Commercial Data

|                                      |                     |
|--------------------------------------|---------------------|
| Item number                          | 3240254             |
| Packing unit                         | 25 pc               |
| Minimum order quantity               | 25 pc               |
| Sales Key                            | BE7                 |
| Product Key                          | BE7421              |
| Catalog Page                         | Page 583 (C-3-2019) |
| GTIN                                 | 4046356464567       |
| Weight per Piece (including packing) | 39.5 g              |
| Weight per Piece (excluding packing) | 39.5 g              |
| Customs tariff number                | 73269098            |
| Country of origin                    | CN                  |

# WCC 22 - Cable clamp

3240254

<https://www.phoenixcontact.com/in/products/3240254>



## Technical Data

### Product properties

|              |                   |
|--------------|-------------------|
| Product type | Cable screw gland |
|--------------|-------------------|

### Material specifications

|          |            |
|----------|------------|
| Material | Steel      |
| Coating  | galvanized |

### Cable/line

|                         |                 |
|-------------------------|-----------------|
| External cable diameter | 18 mm ... 22 mm |
|-------------------------|-----------------|

### Mounting

|               |                   |
|---------------|-------------------|
| Mounting type | DIN rail mounting |
|---------------|-------------------|

# WCC 22 - Cable clamp

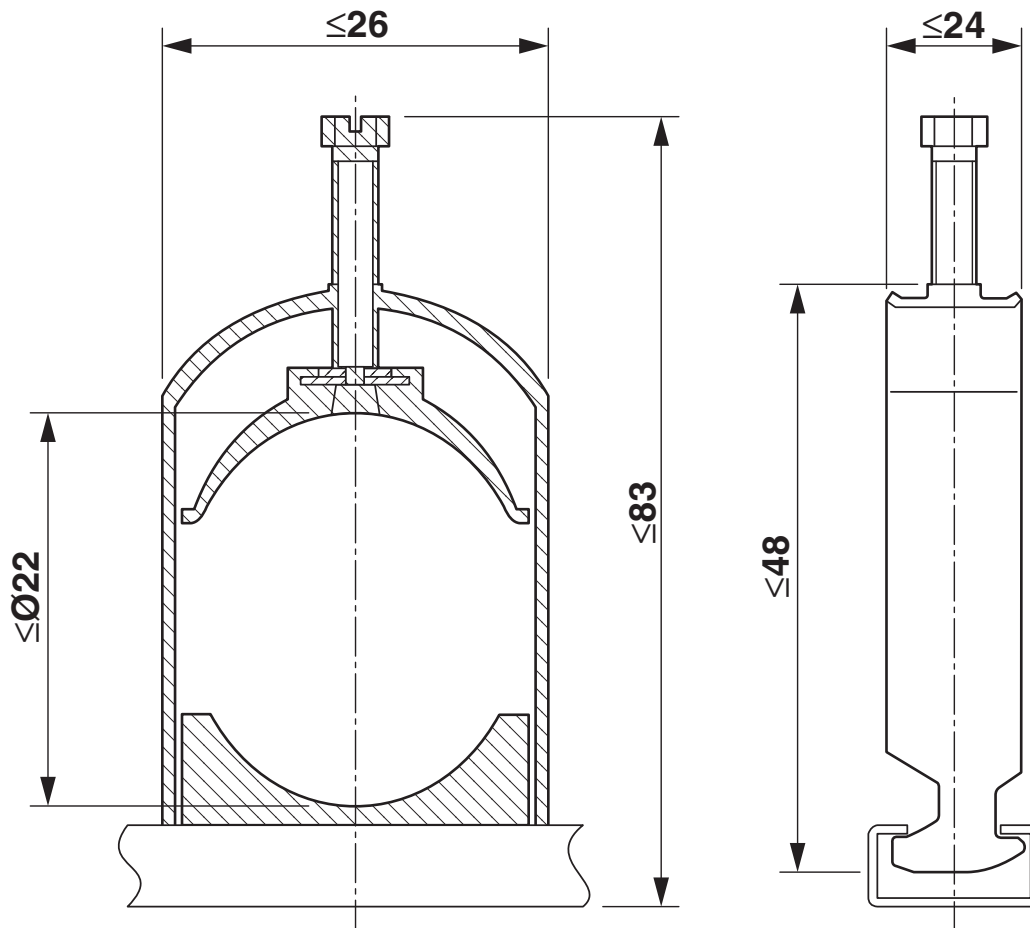
3240254

<https://www.phoenixcontact.com/in/products/3240254>



## Drawings

Dimensional drawing



# WCC 22 - Cable clamp



3240254

<https://www.phoenixcontact.com/in/products/3240254>

## Classifications

### ECLASS

|             |          |
|-------------|----------|
| ECLASS-11.0 | 23159090 |
| ECLASS-12.0 | 23159090 |
| ECLASS-12.0 | 23159090 |

### ETIM

|          |          |
|----------|----------|
| ETIM 8.0 | EC000464 |
|----------|----------|

### UNSPSC

|             |          |
|-------------|----------|
| UNSPSC 21.0 | 31162900 |
|-------------|----------|

# WCC 22 - Cable clamp

3240254

<https://www.phoenixcontact.com/in/products/3240254>



## Environmental Product Compliance

|            |   |
|------------|---|
| China RoHS | Environmentally friendly use period: unlimited = EFUP-e |
|            | No hazardous substances above threshold values          |

# WCC 22 - Cable clamp

3240254

<https://www.phoenixcontact.com/in/products/3240254>



## Accessories

NS 30/15 PERF 2000MM VPE 10 - DIN rail perforated

3240262

<https://www.phoenixcontact.com/in/products/3240262>



DIN rail perforated, similar to EN 60715, material: Steel, galvanized, C profile,  
Pack of 10 (20 m)

---

Phoenix Contact 2023 © - all rights reserved  
<https://www.phoenixcontact.com>

PHOENIX CONTACT (I) Pvt. Ltd.  
A-58/2, Okhla Industrial Area, Phase - II, New Delhi-110 020

+91.1275.71420  
[info@phoenixcontact.co.in](mailto:info@phoenixcontact.co.in)