

C-RC 16/M5 DIN - Ring cable lug



3240094

<https://www.phoenixcontact.com/in/products/3240094>

Please be informed that the data shown in this PDF document is generated from our Online Catalog. Please find the complete data in the user documentation. Our General Terms of Use for Downloads are valid.



Ring cable lug, non-insulated, 16 mm², M5

Your advantages

- The CRIMPFOX-RC... tools from our CRIMPFOX range of crimping pliers are available for optimum crimping
- The hard-soldered press zone enables maximum conductor pull-out values to be achieved
- The ring cable lugs without plastic sleeve are made from high-quality tin-plated electrolytic copper for maximum protection against corrosion

Commercial Data

Item number	3240094
Packing unit	100 pc
Minimum order quantity	100 pc
Sales Key	BH3
Product Key	BH3422
Catalog Page	Page 490 (C-3-2019)
GTIN	4046356453110
Weight per Piece (including packing)	4.04 g
Weight per Piece (excluding packing)	4.02 g
Customs tariff number	85369010
Country of origin	CN

C-RC 16/M5 DIN - Ring cable lug

3240094

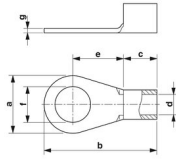
<https://www.phoenixcontact.com/in/products/3240094>

Technical Data

Product properties

Product type	Connector
--------------	-----------

Dimensions

Dimensional drawing	
Width	11 mm
Length	26 mm
Length of the insulating material sleeve	10 mm
Maximum stripping length	13 mm
Distance from the center to the insulating material sleeve	10 mm
Min. material thickness	1.1 mm
Inner dimensions of the insulating collar	5.8 mm

Internal dimensions

Internal diameter	5.3 mm
-------------------	--------

Material specifications

Color	silver
Material	Copper
Coating	tin-plated

Environmental and real-life conditions

Ambient conditions

Ambient temperature (operation)	110 °C
---------------------------------	--------

Standards and regulations

Design according to standard	DIN 46234
------------------------------	-----------

C-RC 16/M5 DIN - Ring cable lug

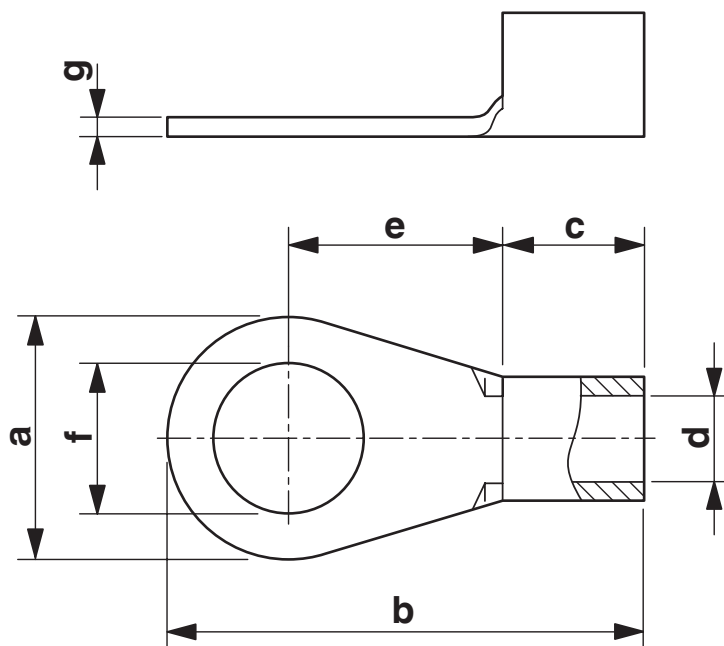
3240094

<https://www.phoenixcontact.com/in/products/3240094>



Drawings

Dimensional drawing



C-RC 16/M5 DIN - Ring cable lug



3240094

<https://www.phoenixcontact.com/in/products/3240094>

Classifications

ECLASS

ECLASS-11.0

27400204

ETIM

ETIM 8.0

EC001052

UNSPSC

UNSPSC 21.0

27121700

C-RC 16/M5 DIN - Ring cable lug



3240094

<https://www.phoenixcontact.com/in/products/3240094>

Environmental Product Compliance

China RoHS	Environmentally friendly use period: unlimited = EFUP-e
	No hazardous substances above threshold values

Phoenix Contact 2023 © - all rights reserved
<https://www.phoenixcontact.com>

PHOENIX CONTACT (I) Pvt. Ltd.
A-58/2, Okhla Industrial Area, Phase - II, New Delhi-110 020

+91.1275.71420
info@phoenixcontact.co.in