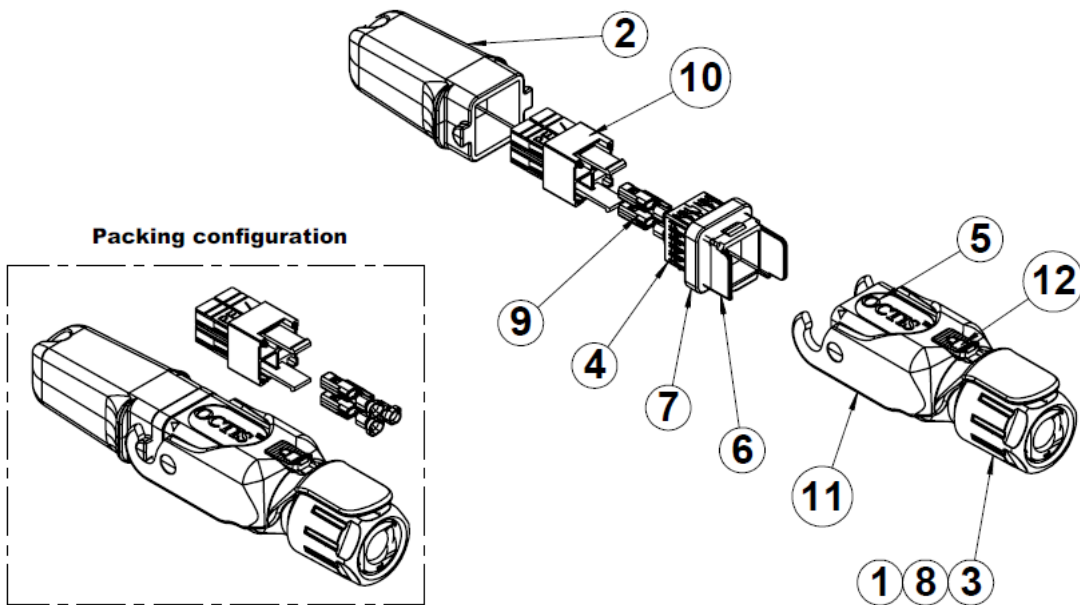
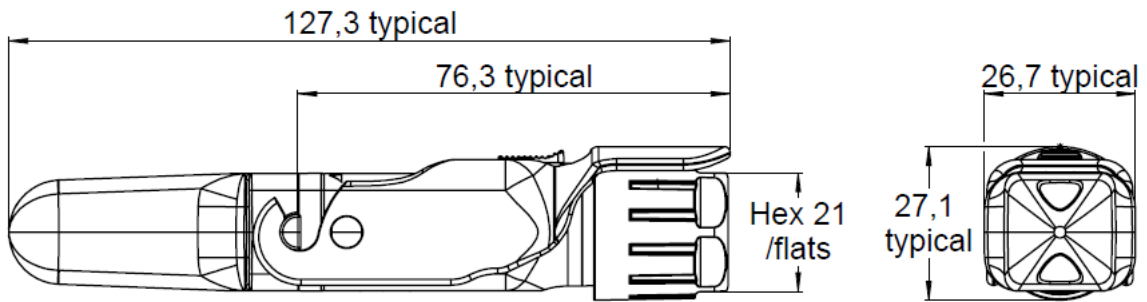


PAGE 1/3	ISSUE 04-03-19A	SERIES OCTIS	PART NUMBER OCTI337500
----------	-----------------	--------------	------------------------



All dimensions are in mm. Tolerances according ISO 2768 m-H

DESCRIPTION

REP	COMPONENT	MATERIALS	PLATING
1	Tightening cone	NYLON	-
2	Plug cap	PBT GF	-
3	Gland nut	PBT GF	PURPLE COLOR
4	Grounding ring	STAINLESS STEEL	-
5	Housing	PBT GF	-
6	Holder	ZAMAK	PASSIVATED
7	Interface sealing gasket	SILICONE	-
8	Rubber gland Ø9	SILICONE	-
9	Power contact	COPPER ALLOY	SN
10	Combo housing	PLASTIC	-
11	Lever	IXEF	-
12	Locking button	PBT GF	-

PAGE 2/3	ISSUE 04-03-19A	SERIES OCTIS	PART NUMBER OCTI337500
----------	------------------------	---------------------	-------------------------------

GENERAL CHARACTERISTICS

Mechanical Mating endurance (cycles) Axial Tensile load (N typical) Vibration Recom. coupling torque (N.cm) Weight (g)	IEC 61300-2-2 IEC 61300-2-4 IEC 61300-2-1 - -	150 150 * - 250 min. / 300 max. 53.3390
Electrical Working voltage Current rating Dielectric withstand voltage Insulation Resistance	- - - EIA 364-20 EIA 364-21	Max. 300 AC or DC 16A with AWG16 wire (7xAWG24) 20A with AWG14 wire (7xAWG22) 5000MΩ minimum initial 1000MΩ minimum after environmental aging
Environmental Protection class Operating temperature (°C) Storage temperature (°C) Humidity (damp heat) (%RH) Salt Mist RoHS Flammability UVB Resist (h)	IEC 60529 IEC 61300-2-22 IEC 61300-2-22 IEC 61300-2-19 IEC 61300-2-26 (ISO21207 method B) - UL 94 ASTM G154 cycle 2	IP67 ** -40 / +85 -65 / +85 5 / 95 720h ** Compliant V0 1000
Others: Equipment interface Board socket Cable Packaging	- - - -	For use with OCTIS™ panel interface or receptacle *** For use with OCTI.363.500 For use with power cable : 2 stranded conductors from 1.5 mm ² (AWG16 = 7xAWG24) to 2.5 mm ² (AWG14 = 7xawg22) and braiding Unitary in plastic bag with assembly note

* Depending on cable characteristics

** Mated condition

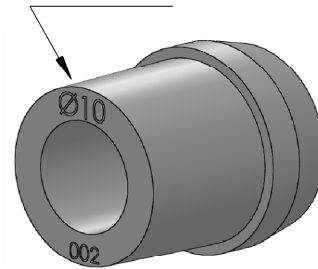
*** If the interface is to be die casted into the equipment panel, please contact Radiall for license conditions and interface definition

PAGE 3/3	ISSUE 04-03-19A	SERIES OCTIS	PART NUMBER OCTI337500
----------	-----------------	--------------	------------------------

RUBBER GLAND SELECTION CHART

ΦD^*	Recommended gland size
From 4.8 min to 5.8 Max	"6"
From 5.8 min to 6.8 Max	"7"
From 6.8 min to 7.8 Max	"8"
From 7.8 min to 8.8 Max	"9"
From 8.8 min to 9.8 Max	"10"
From 10.3 min to 11.3 Max	"11.5"

Gland size is written on the gland edge



*Cable diameter under the gland. If the cable has a sleeve, the diameter over the sleeve should be considered
The tolerances of ΦD should be taken into account to make sure it is always within the specified range