

Product datasheet

Specifications



circuit breaker EasyPact EZC250H - TMD - 200 A - 4 poles 3d

EZC250H4200

Main

Range of product	EasyPact
Product or component type	Circuit breaker
Device short name	EasyPact EZC250H
Circuit breaker name	EasyPact EZC250H
Device application	Distribution
Poles description	4P
Protected poles description	3t
Network type	AC DC
Network frequency	50/60 Hz
[In] rated current	200 A at 40 °C
[Ui] rated insulation voltage	690 V AC 50/60 Hz conforming to IEC 60947-2
[Uimp] rated impulse withstand voltage	6 kV conforming to IEC 60947-2
[Ue] rated operational voltage	550 V AC 50/60 Hz conforming to IEC 60947-2 250 V DC conforming to IEC 60947-2
Breaking capacity code	H
Breaking capacity	10 kA Icu at 550 V AC 50/60 Hz conforming to IEC 60947-2 25 kA Icu at 440 V AC 50/60 Hz conforming to IEC 60947-2 30 kA Icu at 125 V DC 1P conforming to IEC 60947-2 30 kA Icu at 250 V DC 2P conforming to IEC 60947-2 85 kA Icu at 220...240 V AC 50/60 Hz conforming to IEC 60947-2 36 kA Icu at 380...415 V AC 50/60 Hz conforming to IEC 60947-2
[Ics] rated service breaking capacity	5 kA at 550 V AC 50/60 Hz conforming to IEC 60947-2 15 kA at 125 V DC conforming to IEC 60947-2 15 kA at 250 V DC conforming to IEC 60947-2 12.5 kA at 440 V AC 50/60 Hz conforming to IEC 60947-2 18 kA at 380...415 V AC 50/60 Hz conforming to IEC 60947-2 42.5 kA at 220...240 V AC 50/60 Hz conforming to IEC 60947-2
Suitability for isolation	Yes conforming to IEC 60947-2
Utilisation category	Category A
Trip unit name	TM-D
Trip unit technology	Thermal-magnetic
Trip unit rating	200 A at 50 °C
Protection type	Short-circuit protection Overload protection

Pollution degree	3 conforming to IEC 60947
------------------	---------------------------

Complementary

Control type	Toggle
Mounting mode	Fixed
Mounting support	Backplate
Upside connection	Front
Downside connection	Front
Mechanical durability	10000 cycles
Electrical durability	Category A: 5000 cycles 415 V AC 50/60 Hz conforming to IEC 60947-2
Connection pitch	35 mm
Local signalling	Positive contact indication
Neutral protection setting	Without protection
Earth-leakage protection	Without
Height	165 mm
Width	140 mm
Depth	60 mm

Environment

Standards	EN/IEC 60947-1 GB/T 14048.2 EN/IEC 60947-2 JIS C8201-2-2
IP degree of protection	IP20 conforming to IEC 60529
IK degree of protection	IK07 conforming to EN 50102
Ambient air temperature for operation	-25...70 °C
Ambient air temperature for storage	-35...85 °C

Packing Units

Unit Type of Package 1	PCE
Number of Units in Package 1	1
Package 1 Height	12.0 cm
Package 1 Width	15.0 cm
Package 1 Length	18.0 cm
Package 1 Weight	2.216 kg
Unit Type of Package 2	S03
Number of Units in Package 2	6
Package 2 Height	30.0 cm
Package 2 Width	30.0 cm
Package 2 Length	40.0 cm
Package 2 Weight	13.783 kg
Unit Type of Package 3	PAL
Number of Units in Package 3	96
Package 3 Height	72.0 cm

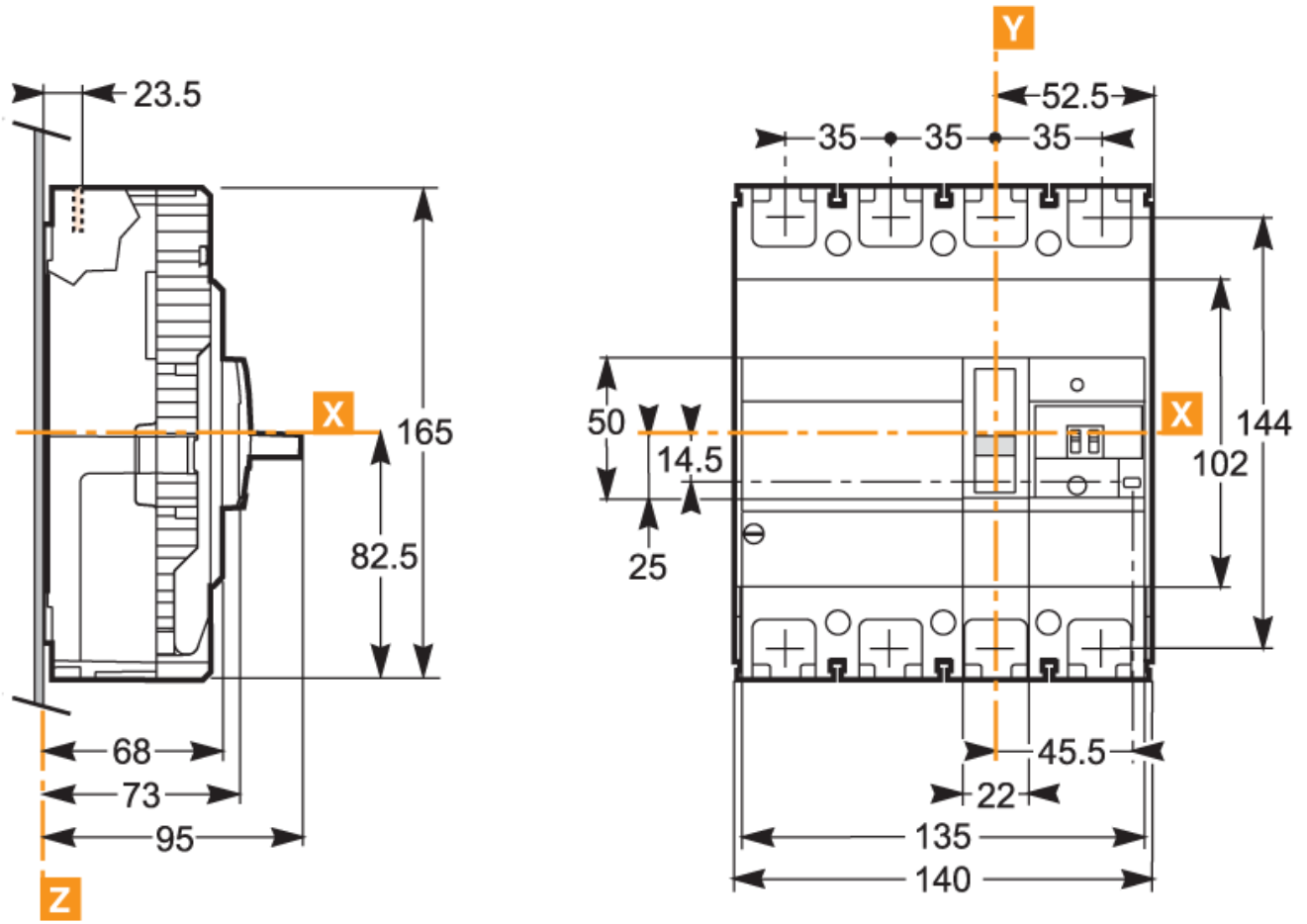
Package 3 Width	125.0 cm
Package 3 Length	96.0 cm
Package 3 Weight	212.736 kg

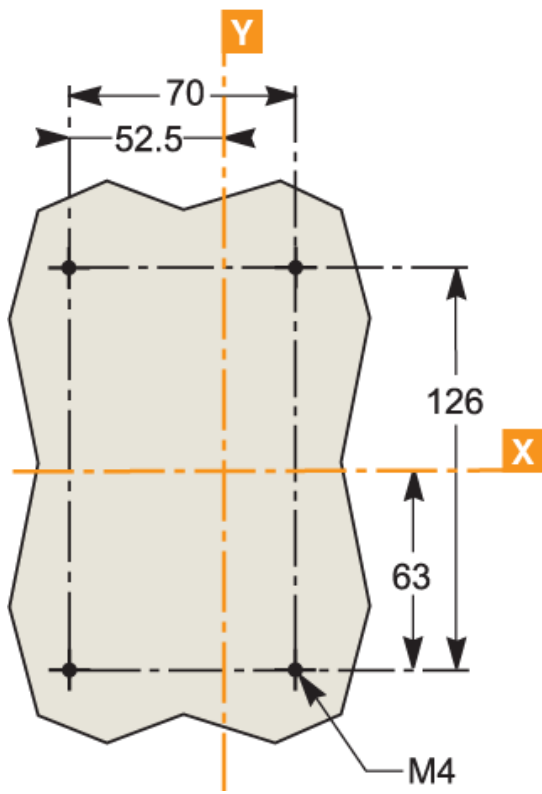
Offer Sustainability

Sustainable offer status	Green Premium product
REACH Regulation	REACH Declaration
REACH free of SVHC	Yes
EU RoHS Directive	Compliant EU RoHS Declaration
Toxic heavy metal free	Yes
Mercury free	Yes
China RoHS Regulation	China RoHS declaration
RoHS exemption information	Yes
Environmental Disclosure	Product Environmental Profile
WEEE	The product must be disposed on European Union markets following specific waste collection and never end up in rubbish bins

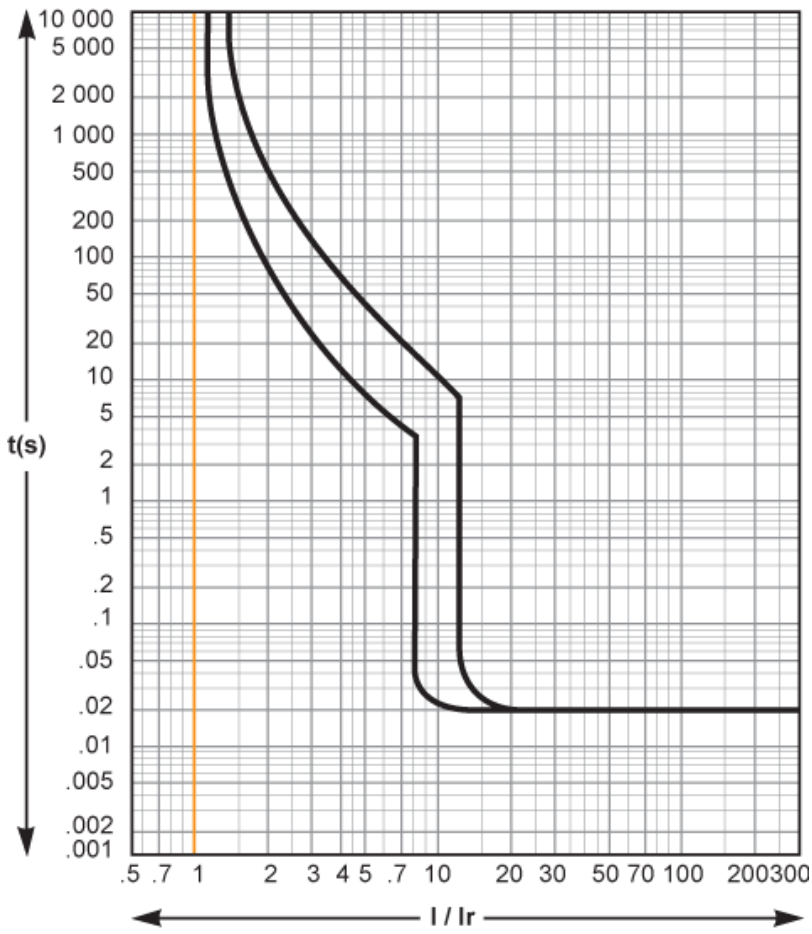
Contractual warranty

Warranty	18 months
----------	-----------





Performance Curves



Recommended replacement(s)