

Quickie® Shrouded Headers Low Profile

Amphenol’s FCI Basics Quickie® is a complete solution for flat cable-to-board connections using 2.54mm pitch IDC technology. The highly durable and cost-saving connectors come with specialized features in polarization, plating, and structure. Headers are low profile and come in shrouded versions with or without eject latches. Receptacles have strain relief covers for precise alignment.

The pre-loaded adjustable bridge-type cover reduces assembly time, protects contacts and offers precise cover-to-base alignment ensuring a reliable termination.

- Dual polarization feature prevents connector mismatching
- Duplex plating saves cost and guarantees 100+ mating cycle performance
- IDC headers have four-walled shielded design for pin protection and misalignment prevention
- Pin-in-paste versions and direct IDC-to-board one-piece solutions are available



TARGET MARKETS



FEATURES

- Four-walled shrouded headers
- Low profile headers with side window
- Selective plated pins of headers
- According to DIN 41651, HE10 and BT D2632

BENEFITS

- Protect pins in unmated condition and prevents misalignment
- Enables unique locking through latching strain relief
- Cost efficient, while maintaining excellent performance
- Industry qualified, proven products

TECHNICAL INFORMATION

MATERIAL

- Housing: Glass filled, thermoplastic polyester, blue
- Flammability Rating: UL94V-0
- Pin: Phosphor-bronze
- Plating: Gold/GXT plating thickness 0.76µm and over 1.27µm (50µin.) nickel

MECHANICAL PERFORMANCE

- Pin Retention to Housing: 20N min.

ELECTRICAL PERFORMANCE

- Current Rating: 3A continuous
- Insulation Resistance: 1 x 10⁵MΩ min.
- Dielectric Withstanding Voltage: 500V RMS min.

ENVIRONMENTAL

- Operating Temperature Range: -65°C to +105°C

SPECIFICATIONS

- CUL E66906, 2
- Product Drawing: By 5-digit base part number
- Product Specification: BUS-12-082

APPROVALS & CERTIFICATION

- This product is RoHS compatible according to the European Union Directive 2002/95/IEC

PACKAGING

- Tubes

PROCESSING INFORMATION

- Compatible with wave soldering processes

TARGET MARKETS/APPLICATIONS



Electronic Control Systems



Servers



Communication Equipment

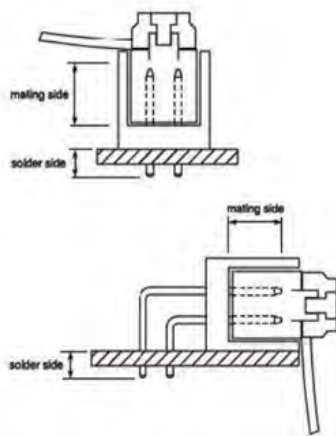


Industrial Automation
Instrumentation
Vending Machines



Medical

TYPICAL APPLICATIONS

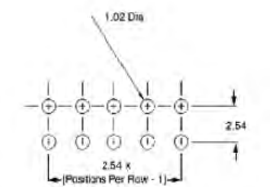
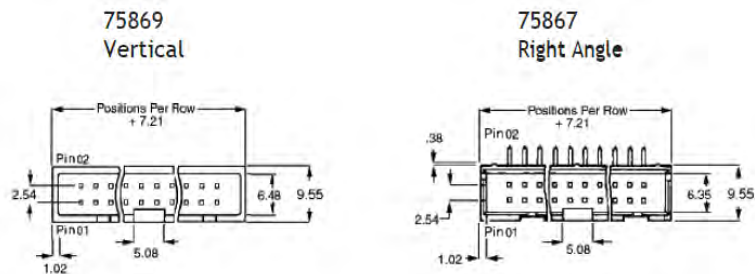


- mates with Quickie IDC receptacle (PN 71600)
- mates with PV latch housing (PN 65043 and 65846)

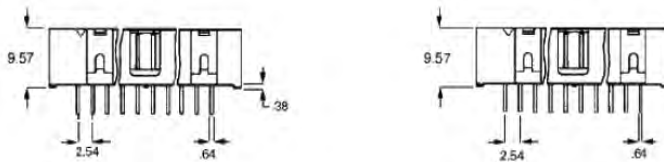
PART NUMBERS

5 – DIGIT BASE PART NUMBER		1	TOTAL POSITIONS		LF	
Through Mount						
Vertical	75869					
Right angle	75867					
0.76µm (30µin.) gold/GXT on mating area, tin on solder side		1				

DIMENSIONS



Recommended PCB layouts



Dimension in mm

BWBQUICKIDC0122EA4

Quickie® Shrouded Headers Low Profile SMT, Pin-in-Paste

Amphenol’s FCI Basics Quickie® is a complete solution for flat cable-to-board connections using 2.54mm pitch IDC technology. The highly durable and cost-saving connectors come with specialized features in polarization, plating, and structure. Headers are low profile and come in shrouded versions with or without eject latches. Receptacles have strain relief covers for precise alignment.

The pre-loaded adjustable bridge-type cover reduces assembly time, protects contacts and offers precise cover-to-base alignment ensuring a reliable termination.

- Dual polarization feature prevents connector mismatching
- Duplex plating saves cost and guarantees 100+ mating cycle performance
- IDC headers have four-walled shielded design for pin protection and misalignment prevention
- Pin-in-paste versions and direct IDC-to-board one-piece solutions are available



TARGET MARKETS



FEATURES

- Four-walled shrouded headers
- Low profile headers with side window
- Selective plated pins of headers
- According to DIN 41651, HE10 and BT D2632

BENEFITS

- Protect pins in unmated condition and prevents misalignment
- Enables unique locking through latching strain relief
- Cost efficient, while maintaining excellent performance
- Industry qualified, proven products

TECHNICAL INFORMATION

MATERIAL

- Housing: Glass filled, thermoplastic polyester, black
- Flammability Rating: UL94V-0
- Pin: Phosphor-bronze
- Plating: Gold/GXT plating thickness 0.76µm and over 1.27µm (50µin.) nickel

MECHANICAL PERFORMANCE

- Pin Retention to Housing: 20N min.

ELECTRICAL PERFORMANCE

- Current Rating: 3A continuous
- Insulation Resistance: $1 \times 10^5 M\Omega$ min.
- Dielectric Withstanding Voltage: 500V RMS min.

ENVIRONMENTAL

- Operating Temperature Range: -65°C to +125°C

SPECIFICATIONS

- CUL E66906, 2
- Product Drawing: By 5-digit base part number
- Product Specification: BUS-12-082

APPROVALS & CERTIFICATION

- This product is RoHS compatible according to the European Union Directive 2002/95/IEC

PACKAGING

- SMT: Tape-and-reel with pick-up cap
- PiP, Right Angle: Tube without pick-up cap
- PiP, Straight: Tape-and-reel

PROCESSING INFORMATION

- Compatible with wave, vapor-phase, and IR reflow soldering processes

TARGET MARKETS/APPLICATIONS



Electronic Control Systems



Communication Equipment



Servers

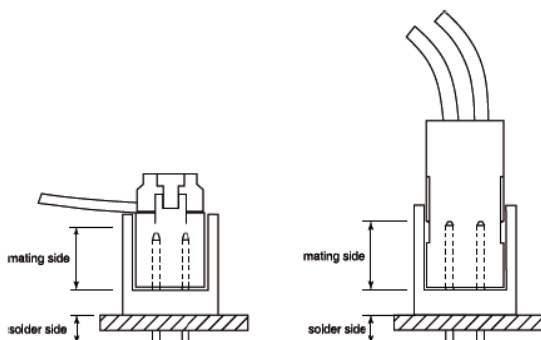


Industrial Automation
Instrumentation
Vending Machines

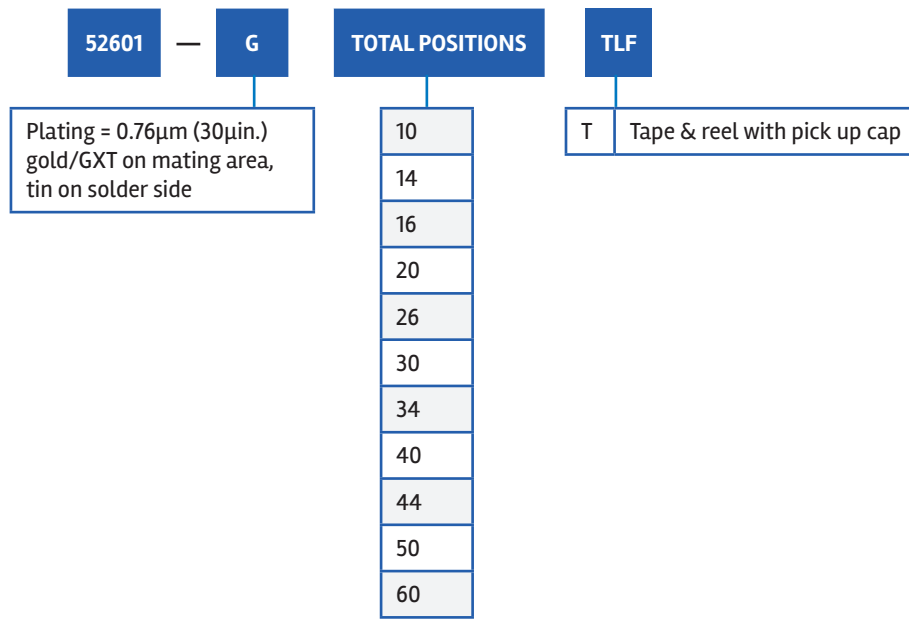


Medical

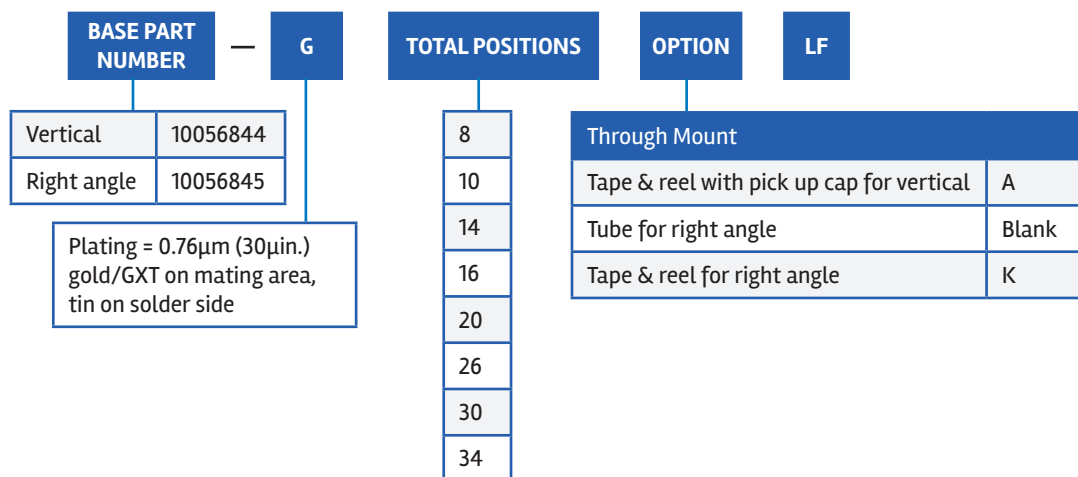
TYPICAL APPLICATIONS



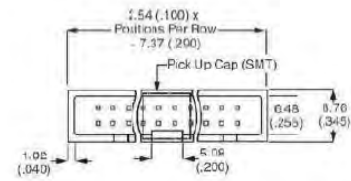
PART NUMBER SELECTOR – SMT (SURFACE MOUNT)



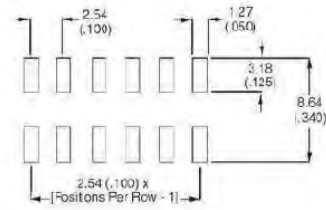
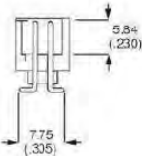
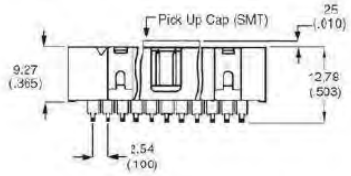
PART NUMBER SELECTOR – PIP (PIN-IN-PASTE)



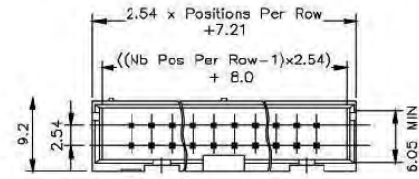
PRODUCT



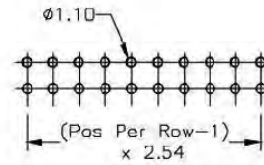
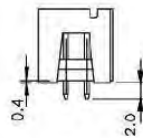
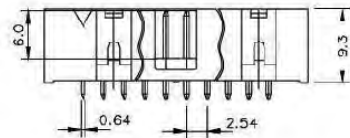
52601



Recommended PCB layouts



10056844



Recommended PCB layouts

Dimension in mm

Quickie® Shrouded Headers Eject Latch

Amphenol’s FCI Basics Quickie® is a complete solution for flat cable-to-board connections using 2.54mm pitch IDC technology. The highly durable and cost-saving connectors come with specialized features in polarization, plating, and structure. Headers are low profile and come in shrouded versions with or without eject latches. Receptacles have strain relief covers for precise alignment.

The pre-loaded adjustable bridge-type cover reduces assembly time, protects contacts and offers precise cover-to-base alignment ensuring a reliable termination.

- Dual polarization feature prevents connector mismatching
- Duplex plating saves cost and guarantees 100+ mating cycle performance
- IDC headers have four-walled shielded design for pin protection and misalignment prevention
- Pin-in-paste versions and direct IDC-to-board one-piece solutions are available



TARGET MARKETS



FEATURES

- Four-walled shrouded headers
- Selective plated pins of headers
- Eject latch headers unique lock and eject system
- According to DIN 41651, HE10 and BT D2632

BENEFITS

- Protect pins in unmated condition and prevents misalignment
- Cost efficient, while maintaining excellent performance
- Minimizes PCB space required and allowing dense packaging design
- Industry qualified, proven products

TECHNICAL INFORMATION

MATERIAL

- Housing: Glass filled, thermoplastic polyester, grey
- Flammability Rating: UL94V-0
- Pin: Phosphor-bronze
- Plating: Gold/GXT plating thickness 0.76µm and over 1.27µm (50µin.) nickel

MECHANICAL PERFORMANCE

- Pin Retention to Housing: 20N min.

ELECTRICAL PERFORMANCE

- Current Rating: 3A continuous
- Insulation Resistance: $1 \times 10^5 M\Omega$ min.
- Dielectric Withstanding Voltage: 500V RMS min.

ENVIRONMENTAL

- Operating Temperature Range: -65°C to +105°C

SPECIFICATIONS

- CUL E66906, 2
- Product Drawing: By 5-digit base part number
- Product Specification: BUS-12-082

APPROVALS & CERTIFICATION

- This product is RoHS compatible according to the European Union Directive 2002/95/IEC

PACKAGING

- Tubes

PROCESSING INFORMATION

- Compatible with wave soldering processes

TARGET MARKETS/APPLICATIONS



Electronic Control Systems



Servers



Communication Equipment

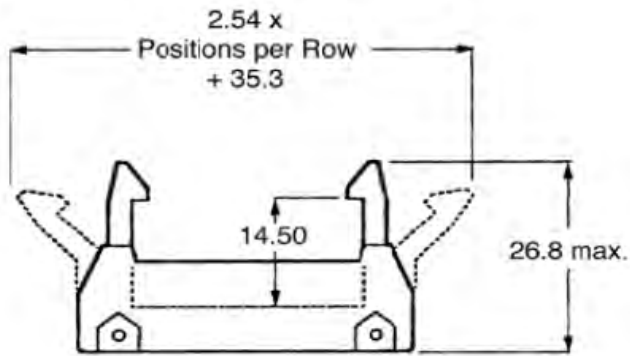


Industrial Automation
Instrumentation
Vending Machines

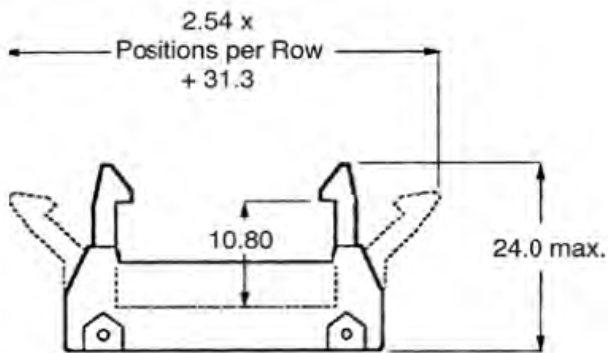


Medical

TYPICAL APPLICATIONS



Standard Latch (Style 1) for Quickie IDC with strain relief (PN 71600-0xxF)



Low profile Latch (Style 2) for Quickie IDC without strain relief (PN 71600-1xxLF)

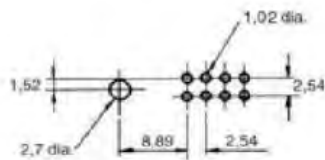
Quickie® Shrouded Headers Eject Latch

PART NUMBERS

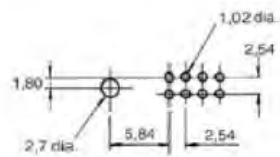
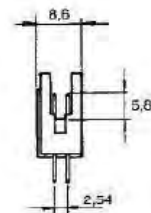
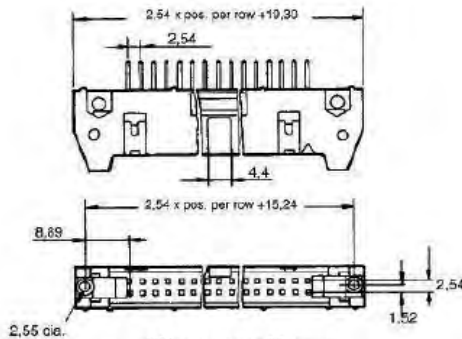
71918	—	1XXLF
71922	—	1XXLF

5 - DIGIT BASE PART NUMBER		LATCH STYLE	TOTAL POSITIONS	LF
Through Mount				
Vertical	71918		06	26
Right angle	71922		08	30
			10	34
			14	40
			16	44
			18	50
			20	60
				64
Standard (mates with IDC receptacle with strain relief)		1		
Low profile (mates with IDC receptacle without strain relief)		2		

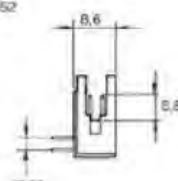
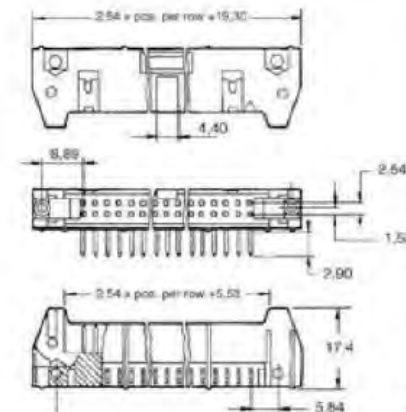
PRODUCT



Vertical



Right Angle



Recommended PCB layouts

Dimension in mm

BWBQUICKIDC0122EA4

Quickie® IDC Receptacles

Amphenol's FCI Basics Quickie® is a complete solution for flat cable-to-board connections using 2.54mm pitch IDC technology. The highly durable and cost-saving connectors come with specialized features in polarization, plating, and structure. Headers are low profile and come in shrouded versions with or without eject latches. Receptacles have strain relief covers for precise alignment.

The pre-loaded adjustable bridge-type cover reduces assembly time, protects contacts and offers precise cover-to-base alignment ensuring a reliable termination.

- Dual polarization feature prevents connector mismatching
- Duplex plating saves cost and guarantees 100+ mating cycle performance
- IDC headers have four-walled shielded design for pin protection and misalignment prevention
- Pin-in-paste versions and direct IDC-to-board one-piece solutions are available



TARGET MARKETS



FEATURES

- Selective plated pins of headers
- Single beam IDC and DIL receptacle contact with long wiping action
- According to DIN 41651, HE10 and BT D2632

BENEFITS

- Cost efficient, while maintaining excellent performance
- Ensures good contact and excellent electrical performance during long field life (100 mating cycles)
- Industry qualified, proven products

TECHNICAL INFORMATION

MATERIAL

- Housing: Grey thermoplastics
- Flammability Rating: UL94V-0
- Contact: Phosphor-bronze
- Plating: Gold/GXT over 1.27µm (50µin.) nickel

MECHANICAL PERFORMANCE

- Mating Cycles (durability): 100

ELECTRICAL PERFORMANCE

- Current Rating: 1A continuous
- Insulation Resistance: $1 \times 10^5 M\Omega$ min.
- Contact Resistance: $15m\Omega$ max.
- Dielectric Withstanding Voltage: 500V RMS min.

ENVIRONMENTAL

- Operating Temperature Range: $-65^{\circ}C$ to $+105^{\circ}C$

SPECIFICATIONS

- CUL E66906, 2
- Product Drawing: By 5-digit base part number
- Product Specification: BUS-12-095

APPROVALS & CERTIFICATION

- This product is RoHS compatible according to the European Union Directive 2002/95/IEC

PACKAGING

- Tubes

PROCESSING INFORMATION

- No compatible to soldering process

TARGET MARKETS/APPLICATIONS



Electronic Control Systems



Servers



Communication Equipment

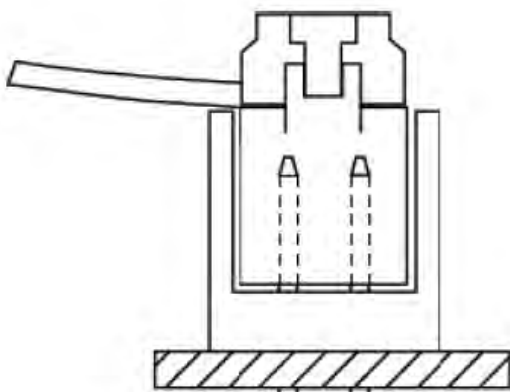


Industrial Automation
Instrumentation
Vending Machines



Medical

TYPICAL APPLICATIONS



Low Profile Latch (Style 2)

PART NUMBERS

71600 — 0XXLF

71600

STRAIN RELIEF

TOTAL POSITIONS

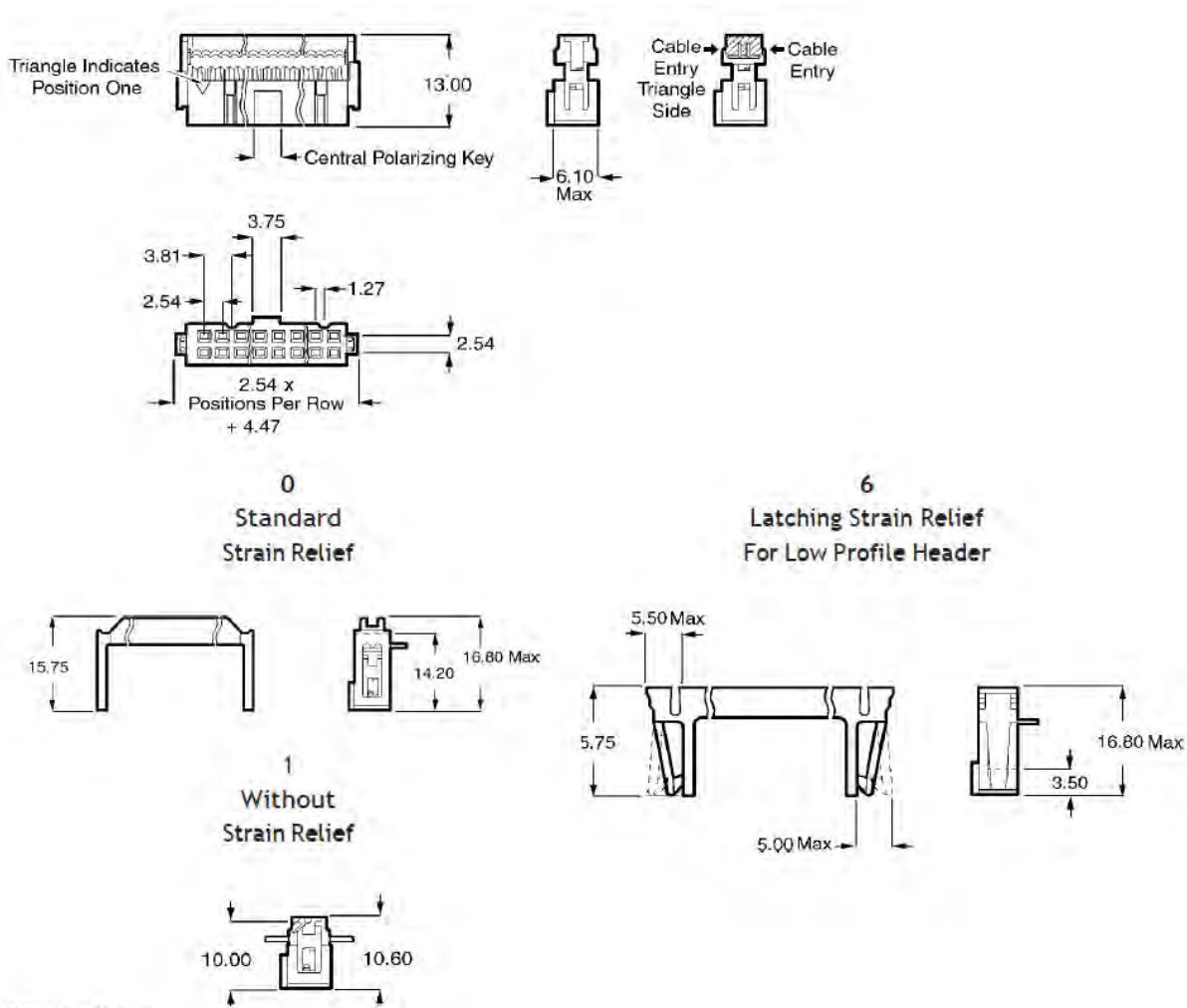
LF

Standard (mates with shrouded eject latch header latch 1)	0
None (mates with shrouded eject latch header latch 2)	1
Latching (mates with low profile headers)	6

04	26
06	34
08	40
10	50
14	60
16	64
20	

Note: 4 position available without strain relief only

PRODUCT



BWBQUICKIDC0122EA4

Quickie® IDC PCB Connector

Amphenol's FCI Basics Quickie® is a complete solution for flat cable-to-board connections using 2.54mm pitch IDC technology. The highly durable and cost-saving connectors come with specialized features in polarization, plating, and structure. Headers are low profile and come in shrouded versions with or without eject latches. Receptacles have strain relief covers for precise alignment.

The pre-loaded adjustable bridge-type cover reduces assembly time, protects contacts and offers precise cover-to-base alignment ensuring a reliable termination.

- Dual polarization feature prevents connector mismatching
- Duplex plating saves cost and guarantees 100+ mating cycle performance
- IDC headers have four-walled shielded design for pin protection and misalignment prevention
- Pin-in-paste versions and direct IDC-to-board one-piece solutions are available



TARGET MARKETS



FEATURES

- Selective plated pins of headers
- Single beam IDC and DIL receptacle contact with long wiping action
- According to DIN 41651, HE10 and BT D2632

BENEFITS

- Cost efficient, while maintaining excellent performance
- Ensures good contact and excellent electrical performance during long field life (100 mating cycles)
- Industry qualified, proven products

TECHNICAL INFORMATION

MATERIAL

- Housing: Blue thermoplastics
- Flammability Rating: UL94V-0
- Pin: Phosphor-bronze
- Plating: Tin over 1.27µm (50µin.) nickel

ELECTRICAL PERFORMANCE

- Current Rating: 1A continuous
- Insulation Resistance: $1 \times 10^5 \text{M}\Omega$ min.
- Contact Resistance: $20 \text{M}\Omega$ max.
- Dielectric Withstanding Voltage: 750V AC

ENVIRONMENTAL

- Operating Temperature Range: -65°C to +105°C

SPECIFICATIONS

- CUL E66906
- Product Drawing: By 5-digit base part number
- Product Specification: BUS-110-019

APPROVALS & CERTIFICATION

- This product is RoHS compatible according to the European Union Directive 2002/95/IEC

PACKAGING

- Tubes

PROCESSING INFORMATION

- Compatible with wave, vapor-phase and soldering processes
 - Low temperature

TARGET MARKETS/APPLICATIONS



Electronic Control Systems



Servers



Communication Equipment

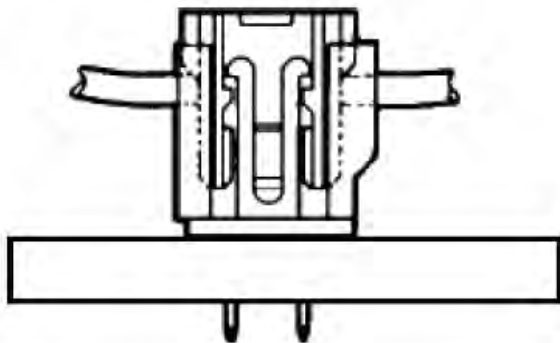


Industrial Automation
Instrumentation
Vending Machines



Medical

TYPICAL APPLICATIONS



PART NUMBERS

69830

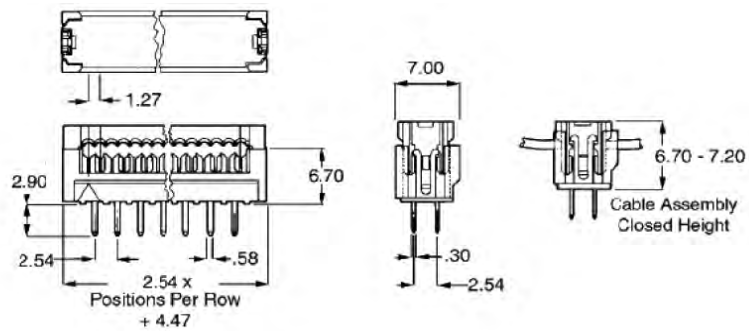
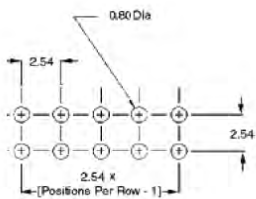
— 0

TOTAL POSITIONS

LF

06	06
08	08
10	10
14	14
16	16
18	18
20	20
24	24
26	26
30	30
34	34
40	40
50	50
60	60
64	64

PRODUCT



Recommended PCB Layouts

Dimension in mm

Quickie® II Connector Dual Beam

Amphenol's FCI Basics Quickie® is a complete solution for flat cable-to-board connections using 2.54mm pitch IDC technology. The highly durable and cost-saving connectors come with specialized features in polarization, plating, and structure. Headers are low profile and come in shrouded versions with or without eject latches. Receptacles have strain relief covers for precise alignment.

The pre-loaded adjustable bridge-type cover reduces assembly time, protects contacts and offers precise cover-to-base alignment ensuring a reliable termination.

- Dual polarization feature prevents connector mismatching
- Duplex plating saves cost and guarantees 100+ mating cycle performance
- IDC headers have four-walled shielded design for pin protection and misalignment prevention
- Dual beam contact system for high retention and high reliability



TARGET MARKETS



FEATURES

- Pre-loaded cover reduces time and cost by eliminating assembly-to-base
- Cover protects contacts during handling
- Dual entry cover enables insertion of cable from both sides
- Sight holes in cover allow for visual and electrical inspection before and after assembly

BENEFITS

- Precise alignment of cover-to-base ensures a reliable termination
- Double serrated cable slot assists accurate positioning of the cable over the contacts
- Dual beam contacts provide cleaning of contact surface and guarantee a reliable connection
- Optional central polarization of double polarization designed to meet MIL-C-83503-7A

TECHNICAL INFORMATION

MATERIAL

- Housing: Glass filled, thermoplastic polyester, blue
- Flammability Rating: UL94V-0
- Pin: Phosphor-bronze
- Plating: Gold/GXT plating thickness 0.76µm and over 1.27µm (50µin.) nickel

MECHANICAL PERFORMANCE

- Number of Mating Cycles: 100 cycles

ELECTRICAL PERFORMANCE

- Current Rating: 1A continuous
- Insulation Resistance: $1 \times 10^5 M\Omega$ min.
- Dielectric Withstanding Voltage: 500V RMS min.

ENVIRONMENTAL

- Operating Temperature Range: -65°C to +105°C

APPROVALS & CERTIFICATION

- This product is RoHS compatible according to the European Union Directive 2002/95/IEC

PACKAGING

- Tubes

SPECIFICATIONS

- CUL E66906, 2
- Product Drawing: By 5-digit base part number
- Product Specification: BUS-12-082

TARGET MARKETS/APPLICATIONS



Electronic Control Systems



Servers



Communication Equipment

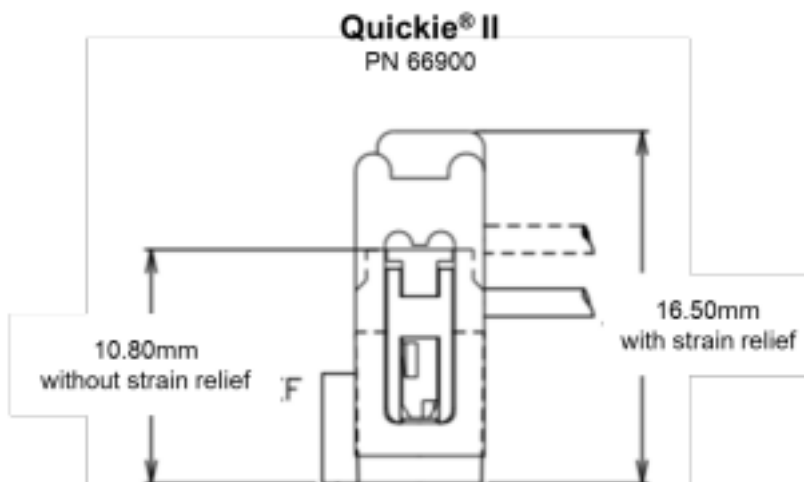


Industrial Automation
Instrumentation Vending Machines

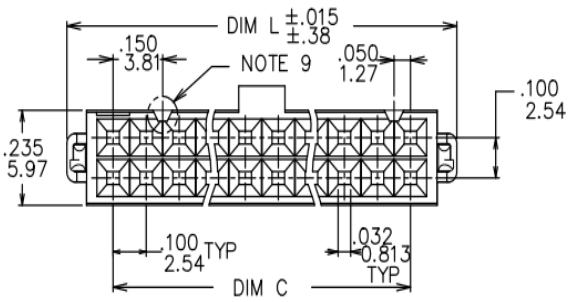
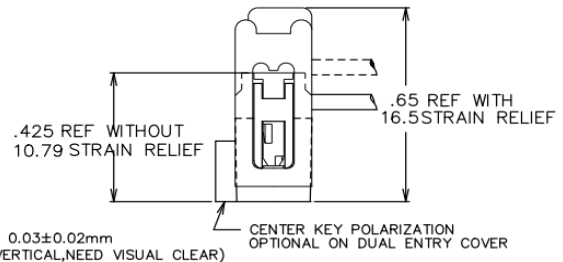
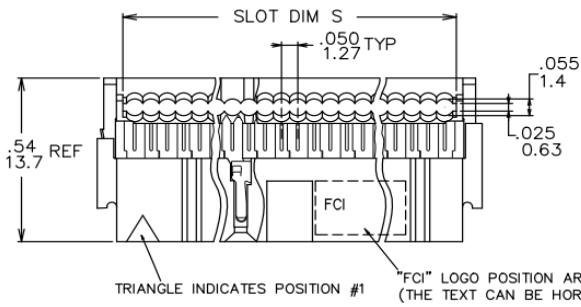
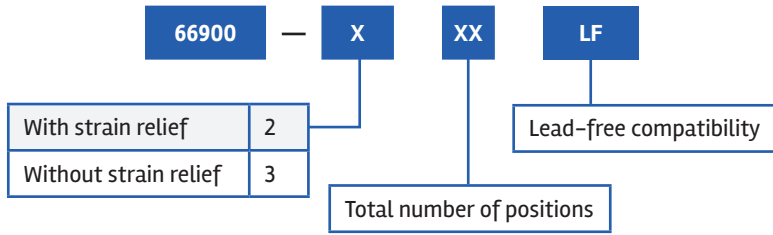


Medical

TYPICAL APPLICATIONS



PART NUMBER SELECTOR



COVER ORIENTATION

