

# EG 22,5-GMF/PC GN - Mounting base housing



2764797

<https://www.phoenixcontact.com/in/products/2764797>

Please be informed that the data shown in this PDF document is generated from our Online Catalog. Please find the complete data in the user documentation. Our General Terms of Use for Downloads are valid.



Component housing, Lower housing part with metal foot catch, without vents, width: 22.5 mm, height: 75 mm, color: green (6021), cross connection: without bus connector, number of positions cross connector: not relevant

## Your advantages

- Tool-free mounting

## Commercial Data

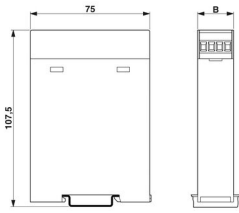
Item number	2764797
Packing unit	10 pc
Minimum order quantity	10 pc
Sales Key	ACH
Product Key	ACHCGA
Catalog Page	Page 720 (C-1-2013)
GTIN	4017918131852
Weight per Piece (including packing)	42.2 g
Weight per Piece (excluding packing)	36.108 g
Customs tariff number	85389099
Country of origin	PL

## Technical Data

### Product properties

Type	Lower housing part closed, housing cover necessary to complete the module
Product type	Lower part of the housing
Product family	EG G PC
Number of positions	8
Type	Lower housing part with metal foot catch
Housing type	Component housing
Ventilation openings present	no
Housing series	EG

### Dimensions

Dimensional drawing	
Width	22.5 mm
Height	75 mm

### PCB design

PCB thickness	1.4 mm ... 1.8 mm
---------------	-------------------

### Material specifications

Color	green (6021)
Flammability rating according to UL 94	V0
Surface characteristics	untreated
Housing material	Polycarbonate

### Environmental and real-life conditions

#### Ambient conditions

Degree of protection	IP20
Max. IP code to attain	IP20
Ambient temperature (operation)	-40 °C ... 105 °C (depending on power dissipation)
Ambient temperature (storage/transport)	-40 °C ... 70 °C
Ambient temperature (assembly)	-5 °C ... 100 °C

### PCB data

Thickness of the PCB	1.4 mm ... 1.8 mm
----------------------	-------------------

# EG 22,5-GMF/PC GN - Mounting base housing



2764797

<https://www.phoenixcontact.com/in/products/2764797>

## Mounting

Mounting type	DIN rail mounting
Mounting position	Vertical (horizontal DIN rail)

# EG 22,5-GMF/PC GN - Mounting base housing

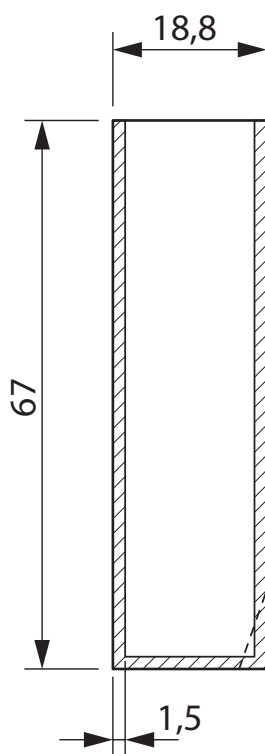
2764797

<https://www.phoenixcontact.com/in/products/2764797>



## Drawings

Dimensional drawing

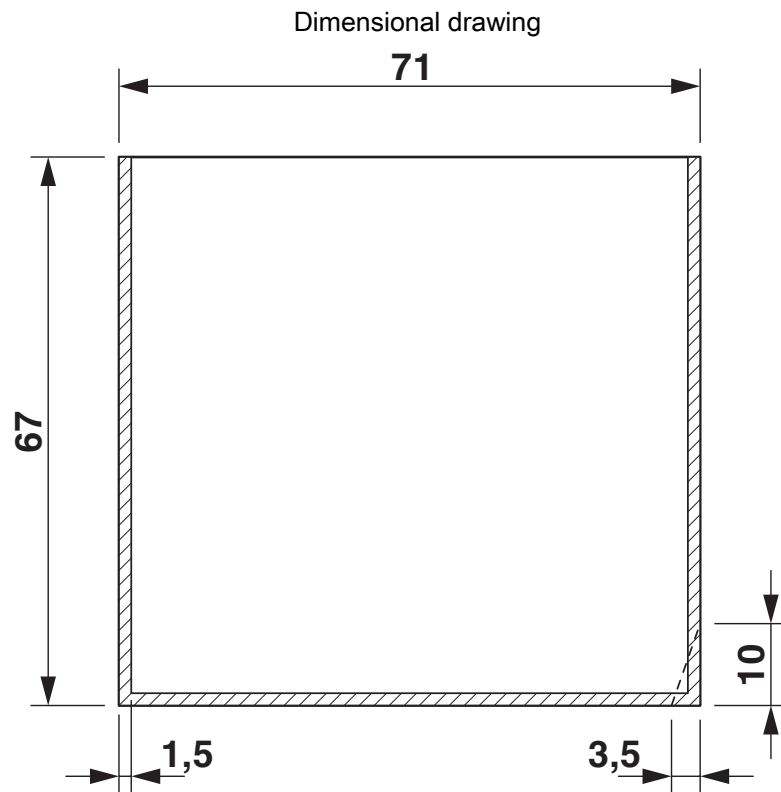


valid for PCB 1, see explosion drawing

# EG 22,5-GMF/PC GN - Mounting base housing

2764797

<https://www.phoenixcontact.com/in/products/2764797>

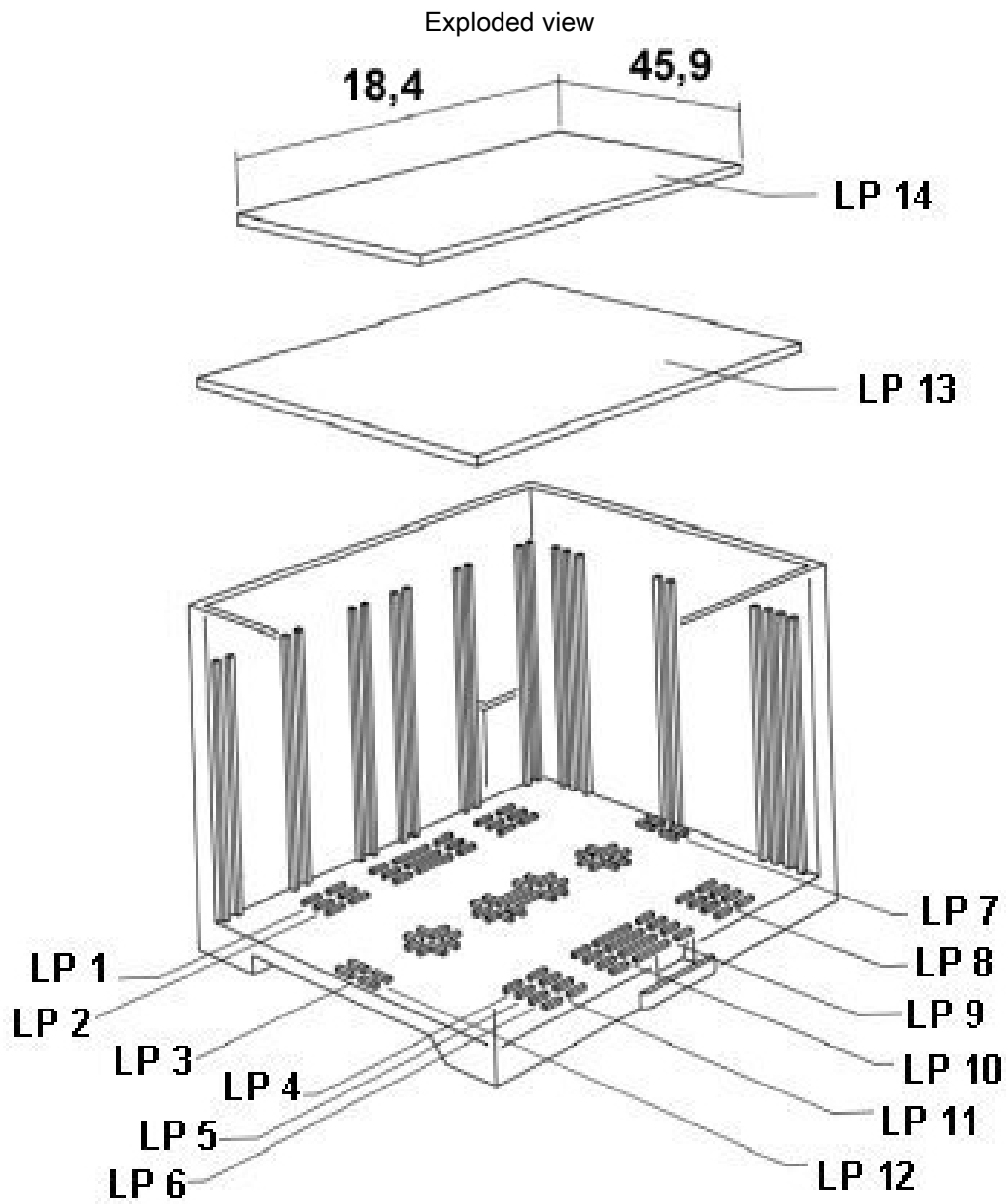


valid for PCB 7, see explosion drawing

# EG 22,5-GMF/PC GN - Mounting base housing

2764797

<https://www.phoenixcontact.com/in/products/2764797>

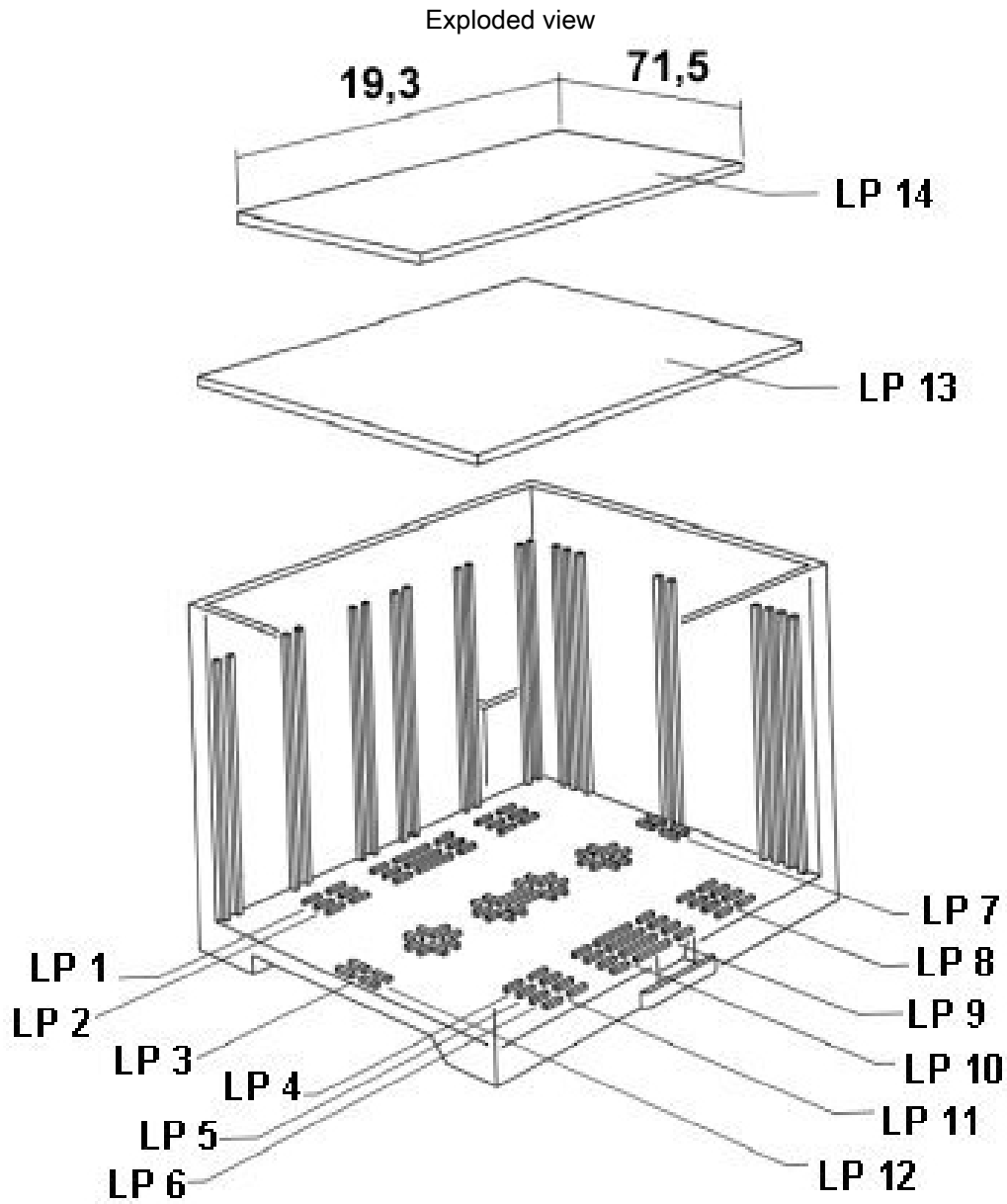


valid for PCB 14

# EG 22,5-GMF/PC GN - Mounting base housing

2764797

<https://www.phoenixcontact.com/in/products/2764797>

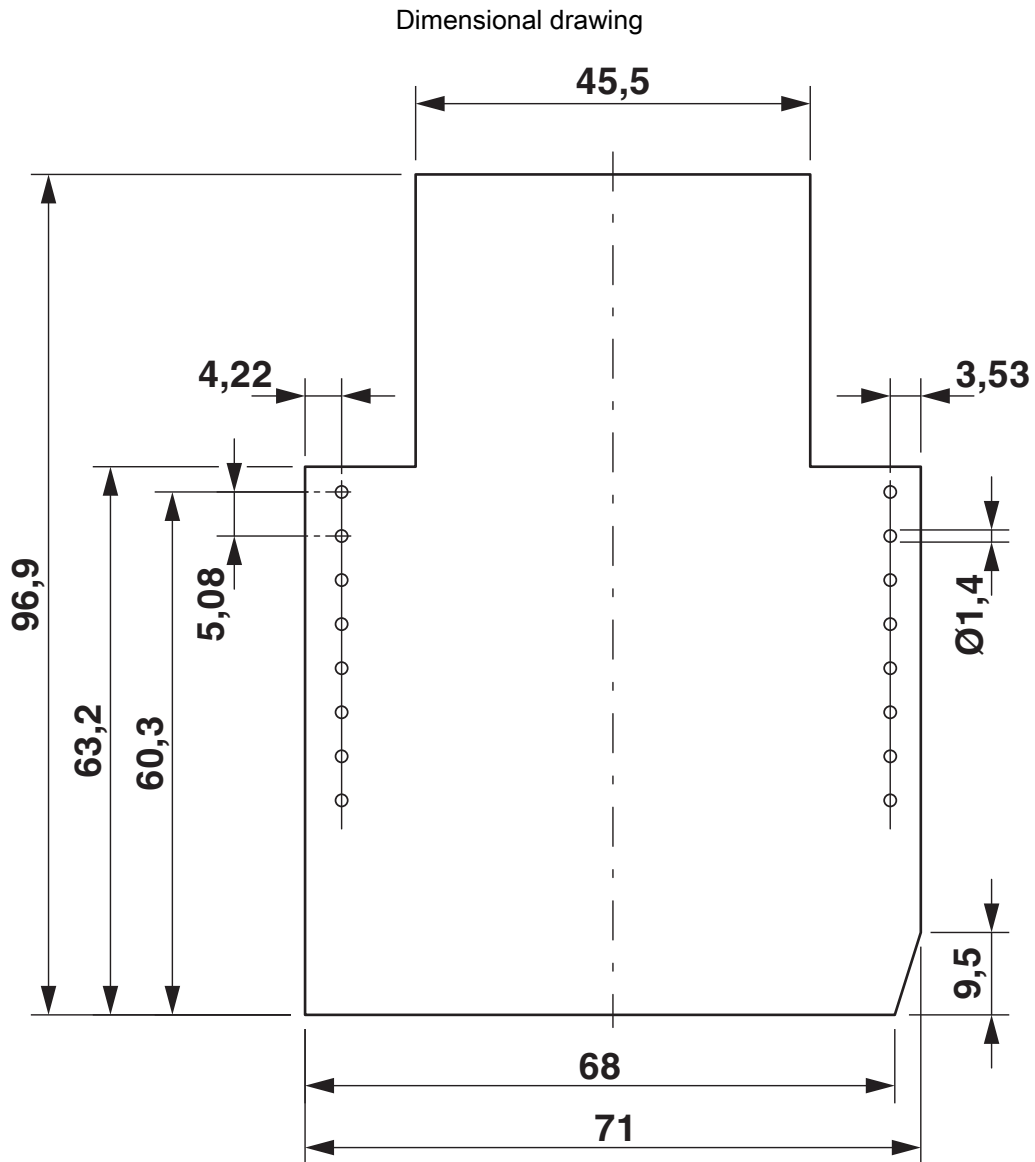


valid for PCB 13

# EG 22,5-GMF/PC GN - Mounting base housing

2764797

<https://www.phoenixcontact.com/in/products/2764797>



Component mounting side, if the double-level upper part is used



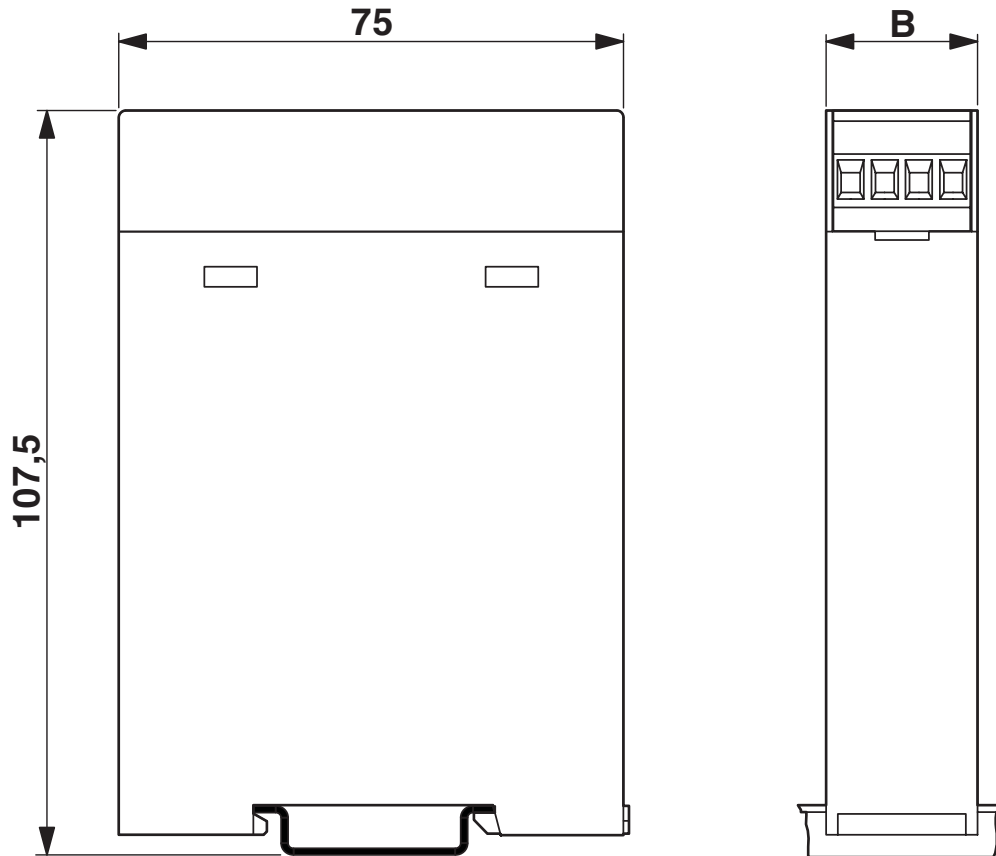
# EG 22,5-GMF/PC GN - Mounting base housing

2764797

<https://www.phoenixcontact.com/in/products/2764797>



Dimensional drawing



# EG 22,5-GMF/PC GN - Mounting base housing



2764797

<https://www.phoenixcontact.com/in/products/2764797>

## Approvals



**EAC**

Approval ID: B.01687



**UL Recognized**

Approval ID: FILE E 240868

# EG 22,5-GMF/PC GN - Mounting base housing



2764797

<https://www.phoenixcontact.com/in/products/2764797>

## Classifications

### ECLASS

ECLASS-11.0

27182702

### ETIM

ETIM 8.0

EC001031

### UNSPSC

UNSPSC 21.0

31261500

# EG 22,5-GMF/PC GN - Mounting base housing



2764797

<https://www.phoenixcontact.com/in/products/2764797>

## Environmental Product Compliance

China RoHS	Environmentally friendly use period: unlimited = EFUP-e
	No hazardous substances above threshold values

# EG 22,5-GMF/PC GN - Mounting base housing

2764797

<https://www.phoenixcontact.com/in/products/2764797>



## Mandatory Accessories

### EG 22,5-AE/PC GN - Electronic housing

2764810

<https://www.phoenixcontact.com/in/products/2764810>

Housing cover, for connection on one side



---

### EG 22,5-A/PC GN - Upper part of housing

2764823

<https://www.phoenixcontact.com/in/products/2764823>

Housing cover, for connection on both sides



# EG 22,5-GMF/PC GN - Mounting base housing

2764797

<https://www.phoenixcontact.com/in/products/2764797>



## EG 22,5-AG/PC GN - Electronic housing

2764836

<https://www.phoenixcontact.com/in/products/2764836>

Housing cover, closed



---

## Accessories

### CR-MSTB - Coding section

1734401

<https://www.phoenixcontact.com/in/products/1734401>

Coding section, inserted into the recess in the header or the inverted plug, red insulating material



# EG 22,5-GMF/PC GN - Mounting base housing

2764797

<https://www.phoenixcontact.com/in/products/2764797>

## CP-MSTB - Coding profile

1734634

<https://www.phoenixcontact.com/in/products/1734634>

Coding profile, is inserted into the slot on the plug or inverted header, red insulating material



---

## MSTBO 2,5/ 4-GL-5,08 - PCB header

1850453

<https://www.phoenixcontact.com/in/products/1850453>



PCB headers, nominal cross section: 2.5 mm<sup>2</sup>, color: green, nominal current: 8 A, rated voltage (III/2): 320 V, contact surface: Tin, type of contact: Pin, number of potentials: 4, number of rows: 1, number of positions: 4, number of connections: 4, product range: MSTBO 2,5/...-GL, pitch: 5.08 mm, mounting: Wave soldering, pin layout: Linear pinning, solder pin [P]: 3.2 mm, number of solder pins per potential: 1, plug-in system: COMBICON MSTB 2,5, locking: without, mounting: without, type of packaging: packed in cardboard

# EG 22,5-GMF/PC GN - Mounting base housing

2764797

<https://www.phoenixcontact.com/in/products/2764797>

## MVSTBW 2,5/ 4-ST - PCB connector

1792540

<https://www.phoenixcontact.com/in/products/1792540>



PCB connector, nominal cross section: 2.5 mm<sup>2</sup>, color: green, nominal current: 12 A, rated voltage (III/2): 320 V, contact surface: Tin, type of contact: Socket, number of potentials: 4, number of rows: 1, number of positions: 4, number of connections: 4, product range: MVSTBW 2,5/..-ST, pitch: 5 mm, connection method: Screw connection with tension sleeve, screw head form: L Slotted, conductor/PCB connection direction: -90 °, locking clip: - Locking clip, plug-in system: COMBICON MSTB 2,5, locking: without, mounting: without, type of packaging: packed in cardboard

---

## MVSTBW 2,5/ 4-ST-5,08 - PCB connector

1792773

<https://www.phoenixcontact.com/in/products/1792773>



PCB connector, nominal cross section: 2.5 mm<sup>2</sup>, color: green, nominal current: 12 A, rated voltage (III/2): 320 V, contact surface: Tin, type of contact: Socket, number of potentials: 4, number of rows: 1, number of positions: 4, number of connections: 4, product range: MVSTBW 2,5/..-ST, pitch: 5.08 mm, connection method: Screw connection with tension sleeve, screw head form: L Slotted, conductor/PCB connection direction: -90 °, locking clip: - Locking clip, plug-in system: COMBICON MSTB 2,5, locking: without, mounting: without, type of packaging: packed in cardboard



# EG 22,5-GMF/PC GN - Mounting base housing

2764797

<https://www.phoenixcontact.com/in/products/2764797>

## MVSTBW 2,5/ 4-STEH - PCB connector

1784299

<https://www.phoenixcontact.com/in/products/1784299>



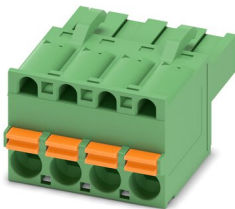
PCB connector, nominal cross section: 2.5 mm<sup>2</sup>, color: green, nominal current: 12 A, rated voltage (III/2): 320 V, contact surface: Tin, type of contact: Socket, number of potentials: 4, number of rows: 1, number of positions: 4, number of connections: 4, product range: MVSTBW 2,5/..-STEH, pitch: 5 mm, connection method: Screw connection with tension sleeve, screw head form: L Slotted, conductor/PCB connection direction: -90 °, locking clip: - Locking clip, plug-in system: COMBICON MSTB 2,5, locking: without, mounting: without, type of packaging: packed in cardboard

---

## FKCT 2,5/ 4-ST - PCB connector

1909236

<https://www.phoenixcontact.com/in/products/1909236>



PCB connector, nominal cross section: 2.5 mm<sup>2</sup>, color: green, nominal current: 12 A, rated voltage (III/2): 320 V, contact surface: Tin, type of contact: Socket, number of potentials: 4, number of rows: 1, number of positions: 4, number of connections: 4, product range: FKCT 2,5/..-ST, pitch: 5 mm, connection method: Push-in spring connection, conductor/PCB connection direction: 0 °, locking clip: - Locking clip, plug-in system: COMBICON MSTB 2,5, locking: without, mounting: without, type of packaging: packed in cardboard

# EG 22,5-GMF/PC GN - Mounting base housing

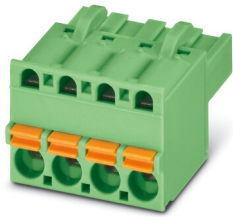
2764797

<https://www.phoenixcontact.com/in/products/2764797>

## FKCT 2,5/ 4-ST-5,08 - PCB connector

1902136

<https://www.phoenixcontact.com/in/products/1902136>



PCB connector, nominal cross section: 2.5 mm<sup>2</sup>, color: green, nominal current: 12 A, rated voltage (III/2): 320 V, contact surface: Tin, type of contact: Socket, number of potentials: 4, number of rows: 1, number of positions: 4, number of connections: 4, product range: FKCT 2,5/...-ST, pitch: 5.08 mm, connection method: Push-in spring connection, conductor/PCB connection direction: 0 °, locking clip: - Locking clip, plug-in system: COMBICON MSTB 2,5, locking: without, mounting: without, type of packaging: packed in cardboard

---

## MKKDSH 3/ 2 - PCB terminal block

1721045

<https://www.phoenixcontact.com/in/products/1721045>



PCB terminal block, nominal current: 24 A, rated voltage (III/2): 400 V, nominal cross section: 2.5 mm<sup>2</sup>, number of potentials: 2, number of rows: 1, number of positions per row: 2, product range: MKKDSH 3, pitch: 5 mm, connection method: Screw connection with tension sleeve, screw head form: L Slotted, mounting: Wave soldering, conductor/PCB connection direction: 0 °, color: green, Pin layout: Linear pinning, Solder pin [P]: 5 mm, number of solder pins per potential: 1, type of packaging: packed in cardboard. The article can be aligned to create different nos. of positions!

2764797

<https://www.phoenixcontact.com/in/products/2764797>

## MKKDSH 3/ 3 - PCB terminal block

1721346

<https://www.phoenixcontact.com/in/products/1721346>



PCB terminal block, nominal current: 24 A, rated voltage (III/2): 400 V, nominal cross section: 2.5 mm<sup>2</sup>, number of potentials: 3, number of rows: 1, number of positions per row: 3, product range: MKKDSH 3, pitch: 5 mm, connection method: Screw connection with tension sleeve, screw head form: L Slotted, mounting: Wave soldering, conductor/PCB connection direction: 0 °, color: green, Pin layout: Linear pinning, Solder pin [P]: 5 mm, number of solder pins per potential: 1, type of packaging: packed in cardboard. The article can be aligned to create different nos. of positions!

---

## MKKDSH 3/ 4 O.Z. - PCB terminal block

1706374

<https://www.phoenixcontact.com/in/products/1706374>



PCB terminal block, nominal current: 24 A, rated voltage (III/2): 400 V, nominal cross section: 2.5 mm<sup>2</sup>, number of rows: 1, number of positions per row: 4, product range: MKKDSH 3, pitch: 5 mm, connection method: Screw connection with tension sleeve, screw head form: L Slotted, mounting: Wave soldering, conductor/PCB connection direction: 0 °, color: green, Pin layout: Linear pinning, Solder pin [P]: 5 mm, number of solder pins per potential: 1, type of packaging: packed in cardboard

---

Phoenix Contact 2023 © - all rights reserved  
<https://www.phoenixcontact.com>

PHOENIX CONTACT (I) Pvt. Ltd.  
A-58/2, Okhla Industrial Area, Phase - II, New Delhi-110 020

+91.1275.71420  
[info@phoenixcontact.co.in](mailto:info@phoenixcontact.co.in)