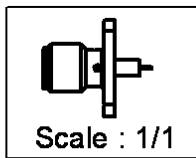
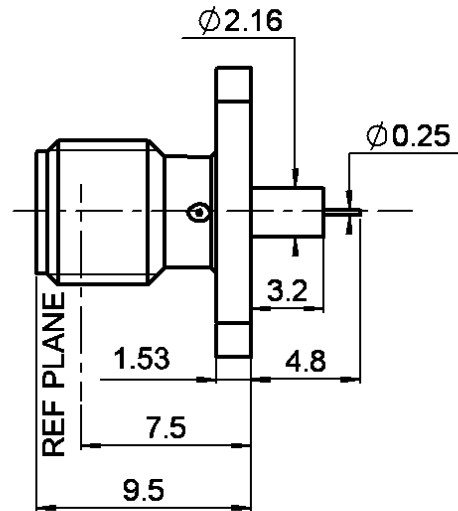
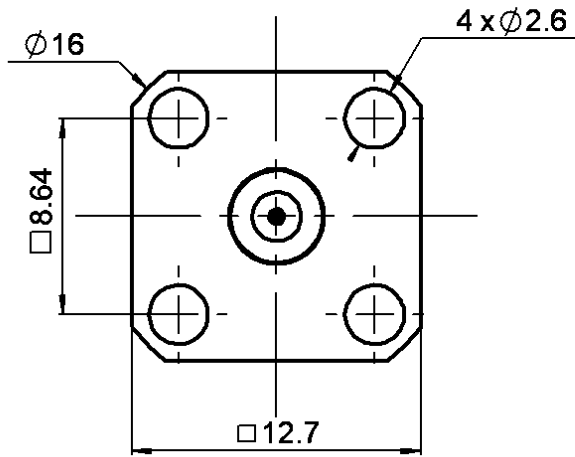
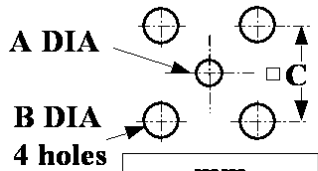


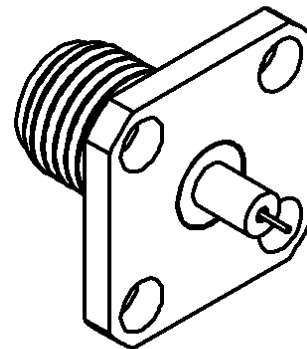
PAGE 1/2	ISSUE 14-09-15U	SERIES SMA	PART NUMBER R125512000
----------	-----------------	------------	------------------------



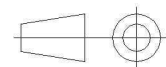
PANEL CUT OUT



	mm	
	Maxi	mini
A	2.25	2.2
B	2.7	2.6
C	8.69	8.59



All dimensions are in mm.



COMPONENTS	MATERIALS	PLATING (µm)
Body	STAINLESS STEEL	GOLD 0.5 OVER NICKEL 2
Center contact	-	GOLD 1.3 OVER NICKEL2
Outer contact	-	-
Insulator	PTFE	-
Gasket	-	-
Others parts	-	-
-	-	-
-	-	-

PAGE 2/2	ISSUE 14-09-15U	SERIES SMA	PART NUMBER R125512000
----------	-----------------	------------	------------------------

PACKAGING

Standard	Unit	Other
100	Contact us	Contact us

ELECTRICAL CHARACTERISTICS

Impedance		50	Ω
Frequency		0-18	GHz
VSWR	1.06	+	0,0020 x F(GHz) Maxi
Insertion loss		0.07*	√F(GHz) dB Maxi
RF leakage	- (60	- F(GHz)) dB Maxi
Voltage rating		500	Veff Maxi
Dielectric withstanding voltage		1000	Veff mini
Insulation resistance		5000	MΩ mini

ENVIRONMENTAL

Operating temperature	-65/+165	°C
Hermetic seal	NA	Atm.cm3/s
Panel leakage	NA	

MECHANICAL CHARACTERISTICS

Center contact retention			
Axial force – Mating End		27	N mini
Axial force – Opposite end		27	N mini
Torque		2,8	N.cm mini
Recommended torque			
Mating		NA	N.cm
Panel nut		NA	N.cm
Mating life		500	Cycles mini
Weight		1,6100	g

SPECIFICATION

OTHER CHARACTERISTICS

Assembly instruction:**NA**

Others:

***Coaxial Transmission Line Only**